



# Wagner Gazebo

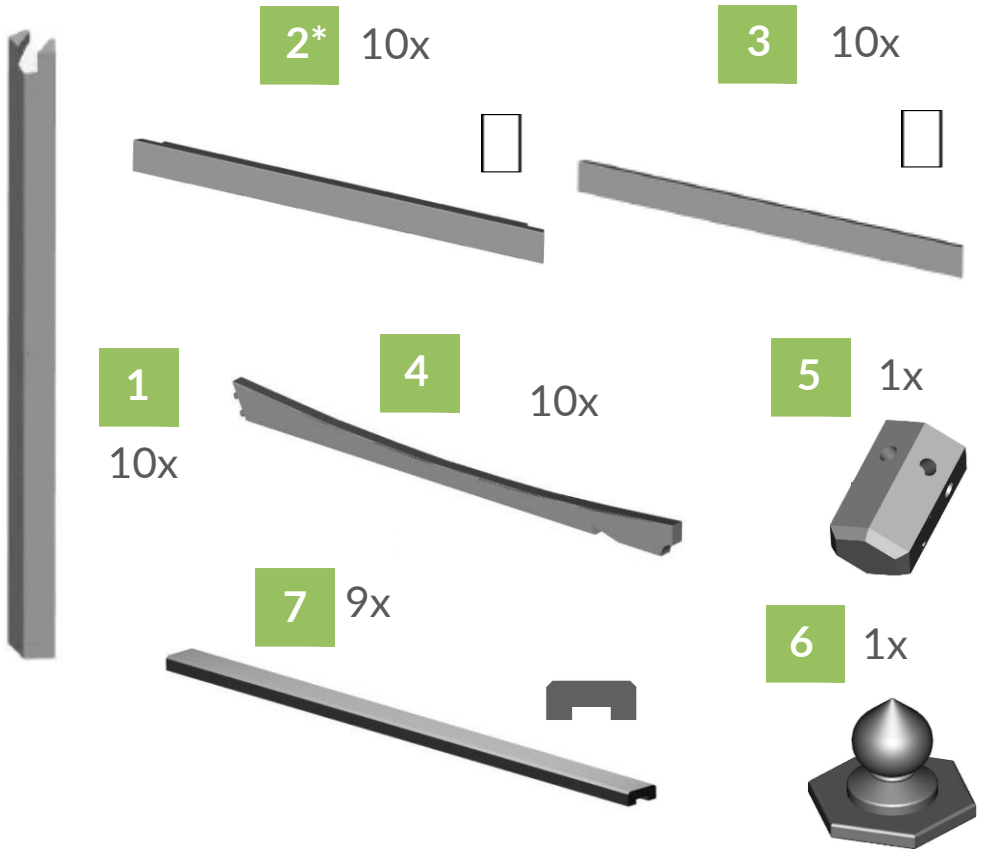
PRODUCT 041269

\*floor

# EQUIPMENT



# PARTS



8 230x



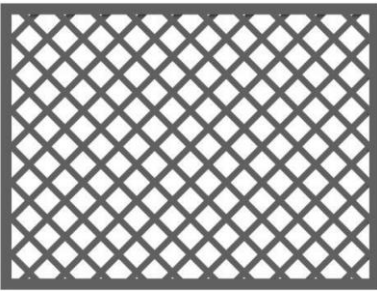
9 20x



**PACKAGE OF TILED ELEMENTS**

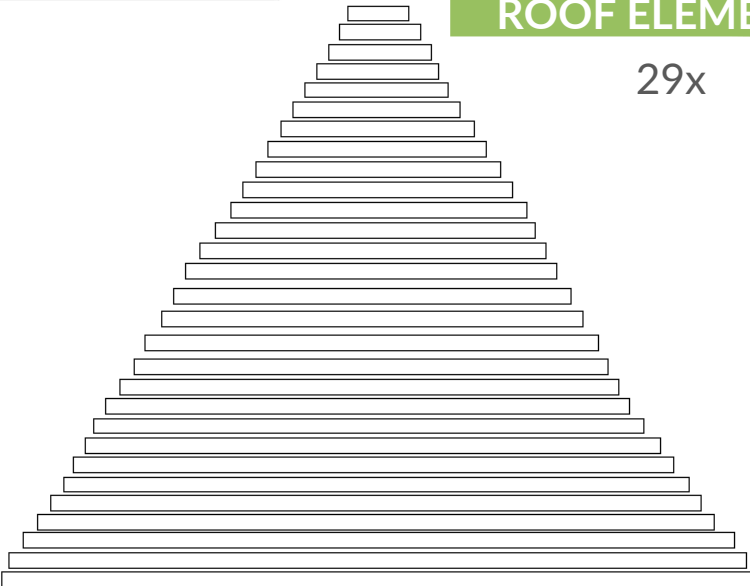
150x

10 9x



**PACKAGE OF EACH ROOF ELEMENT**

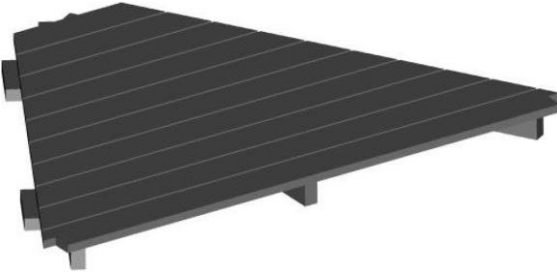
29x



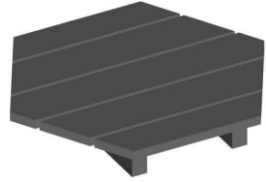
## PARTS FOR THE FLOOR

\*

**12** 10x




**13** 1x




## FITTINGS

**A** 3x  5x90 mm

**B** 212x  4,5x60 mm

382x\* **With floor elements**

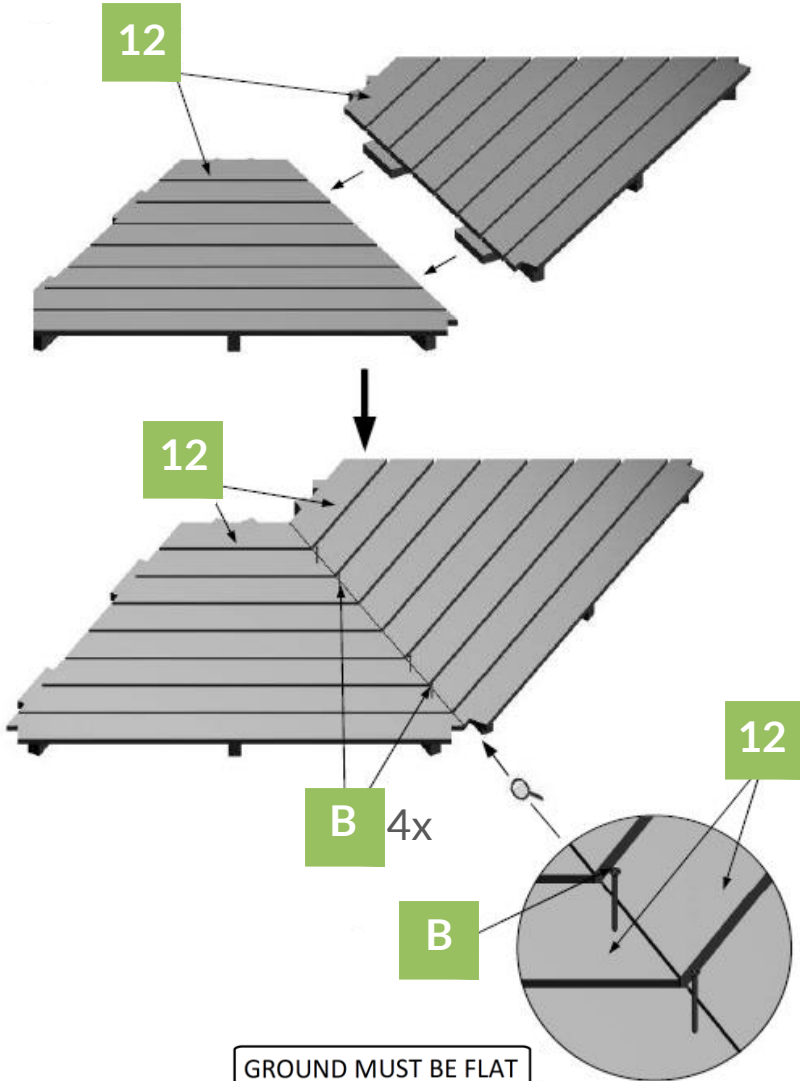
**C** 27x  3,5x35 mm

**D** 960x  2,8x15 mm

**E** 460x  3x25 mm

**F** 580x  2x40 mm

# STEP 1\*

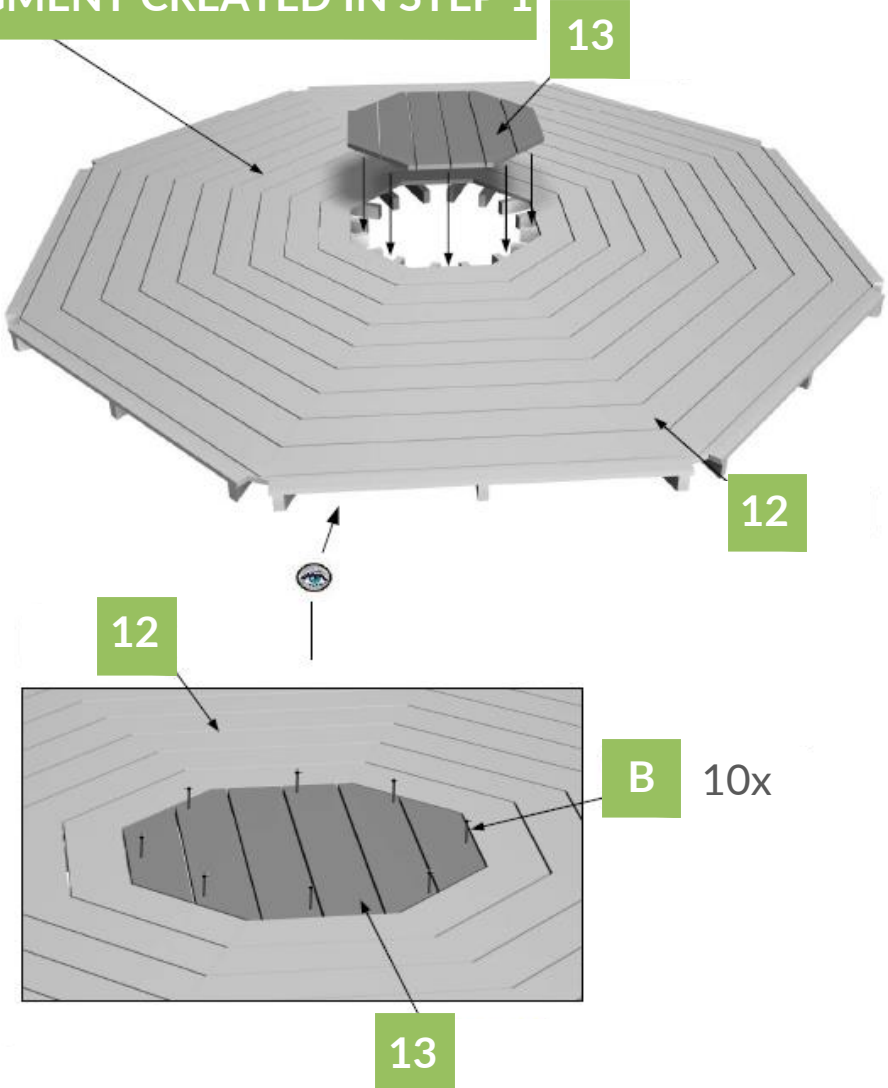


GROUND MUST BE FLAT

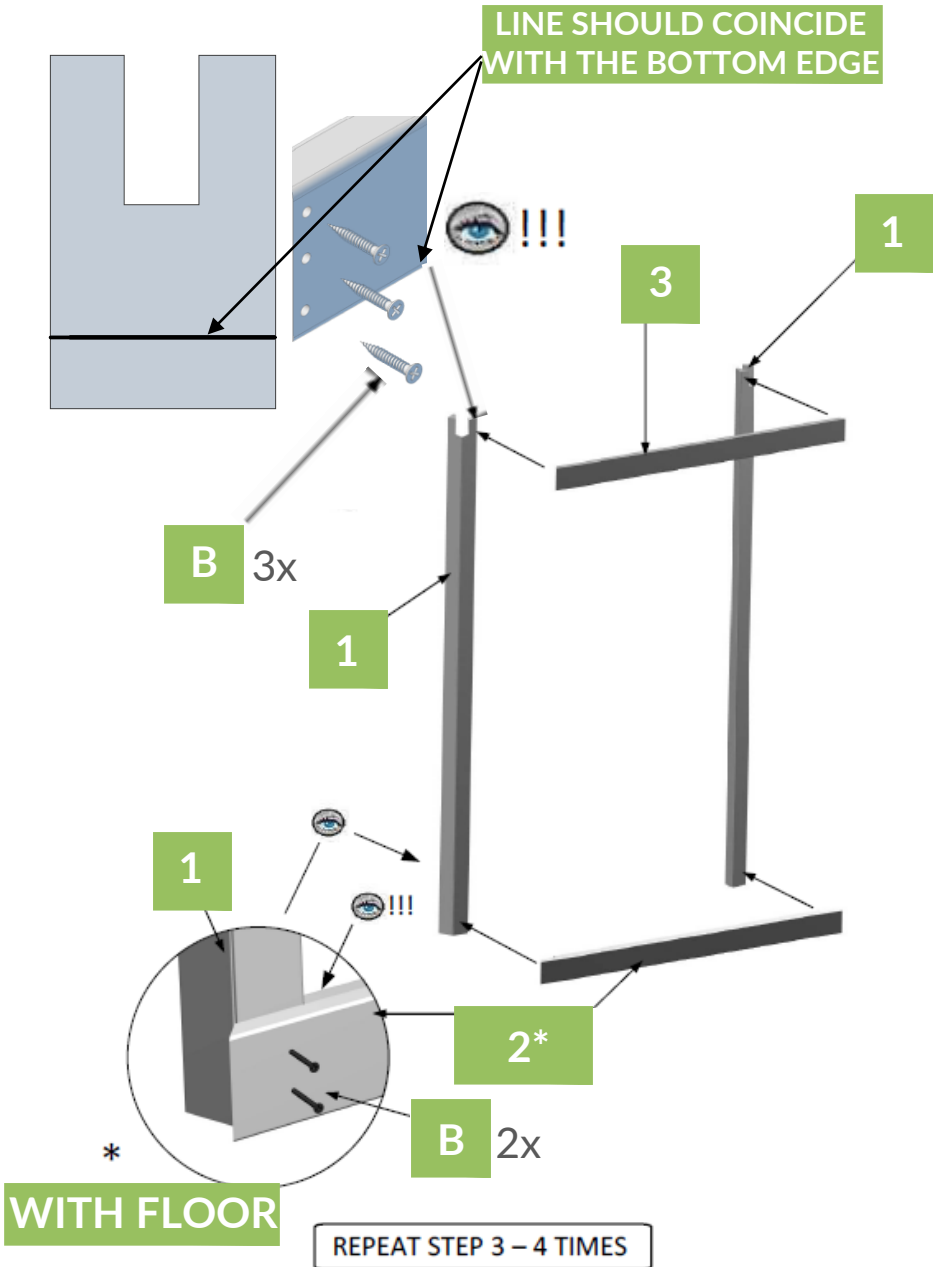
REPEAT STEP 1 FOR ALL FLOOR PANELS

## STEP 2\*

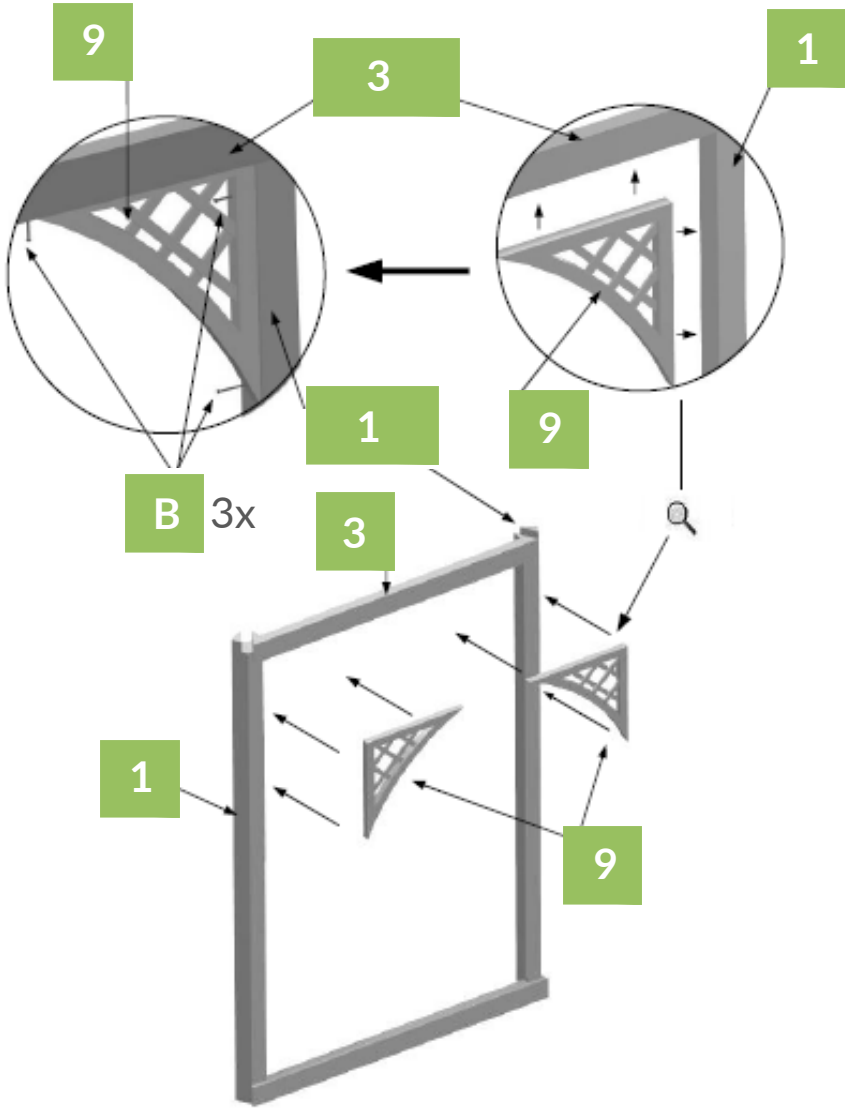
SEGMENT CREATED IN STEP 1



# STEP 3



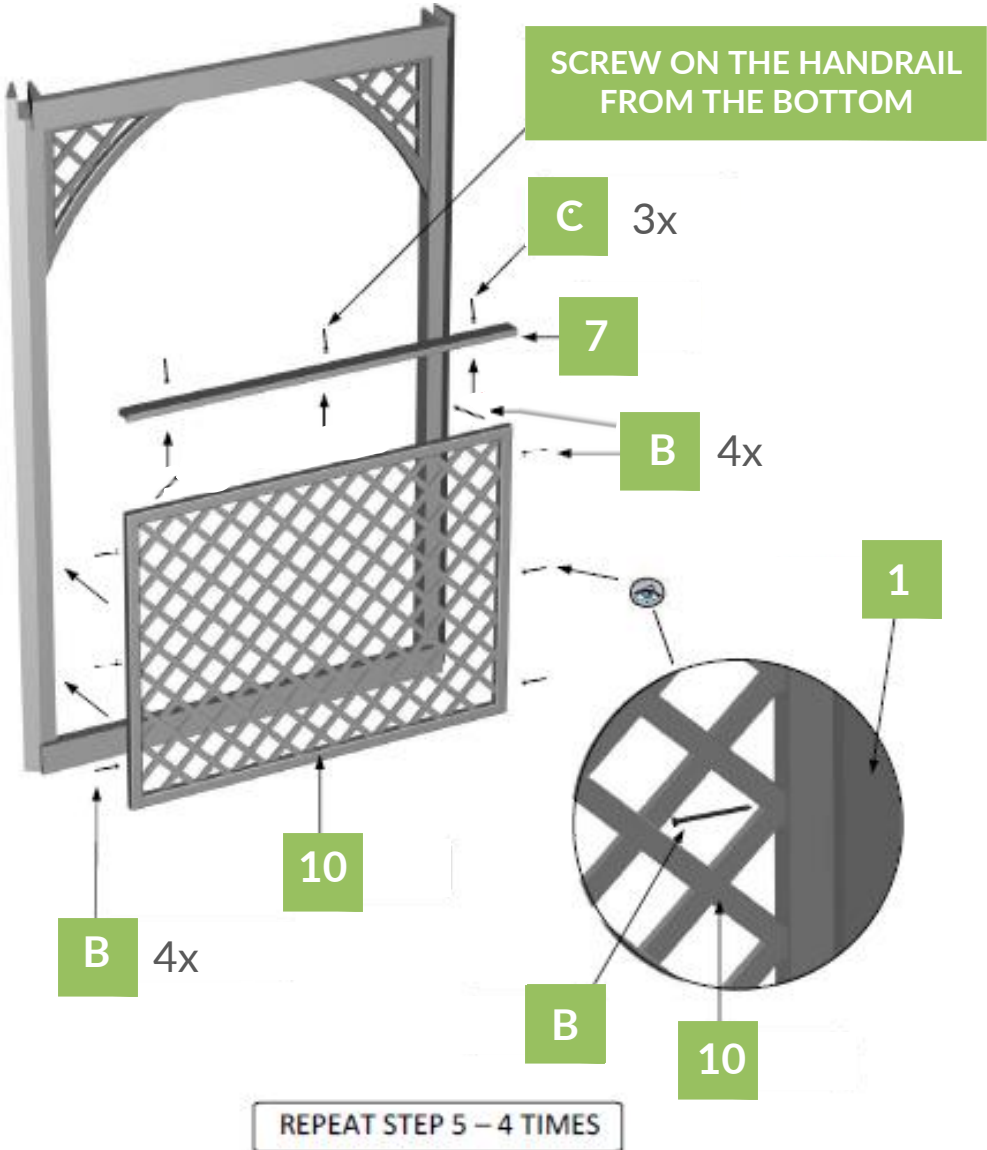
# STEP 4



REPEAT STEP 4 – 5 TIMES

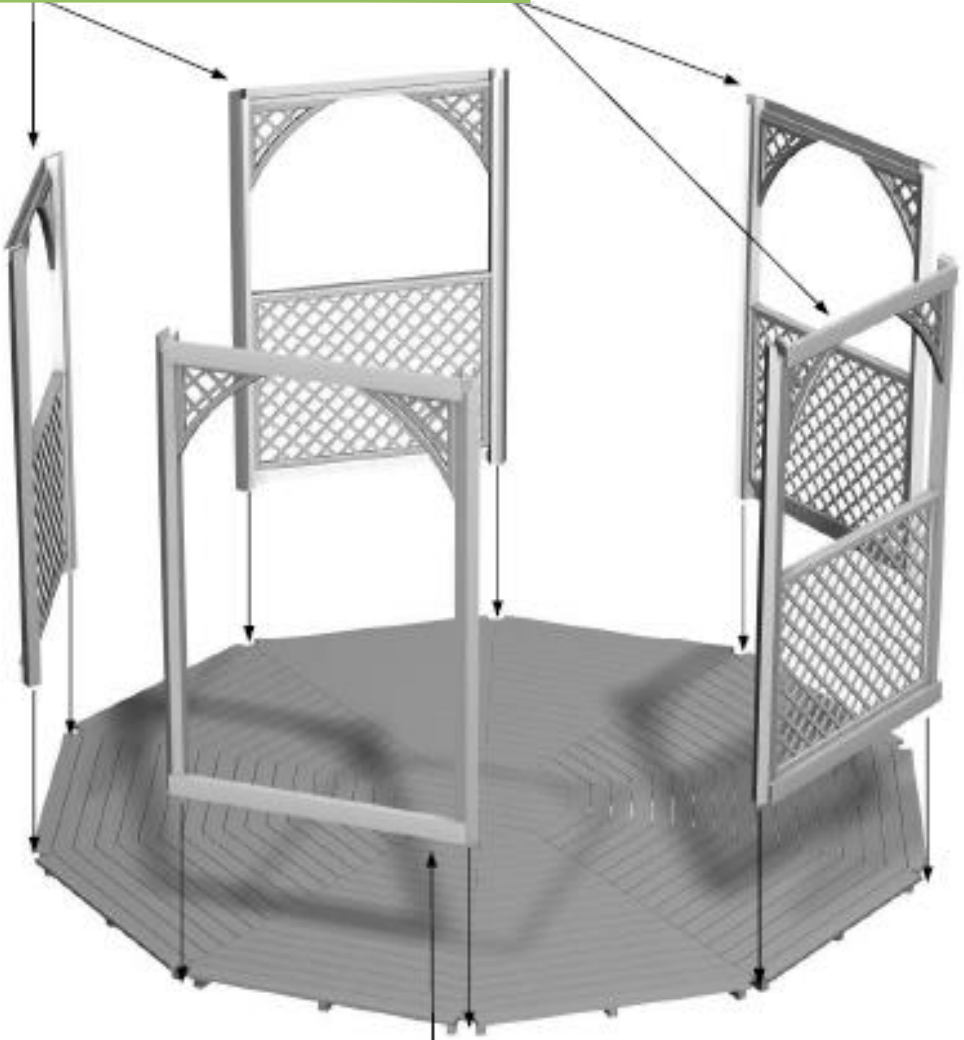


# STEP 5



## STEP 6

### SEGMENTS FROM STEP 5



### SEGMENT FROM STEP 4\*

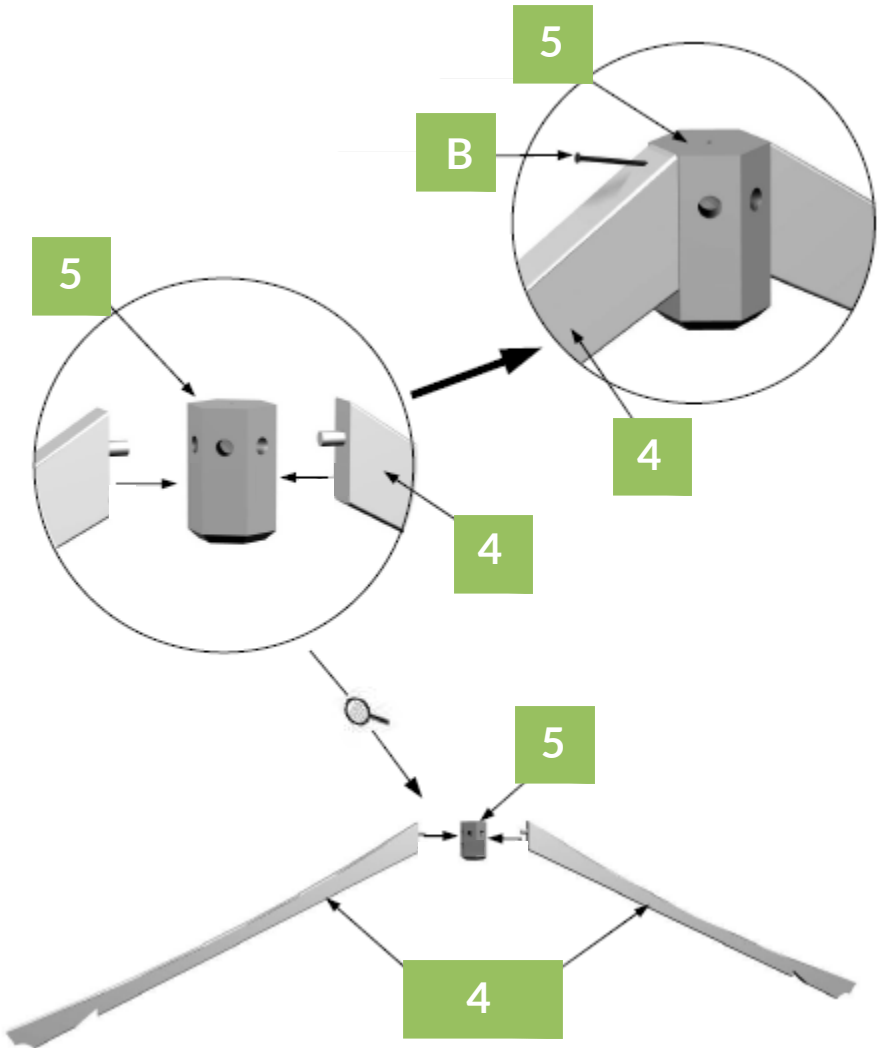
## STEP 7

AS IN STEPS 3,4,5



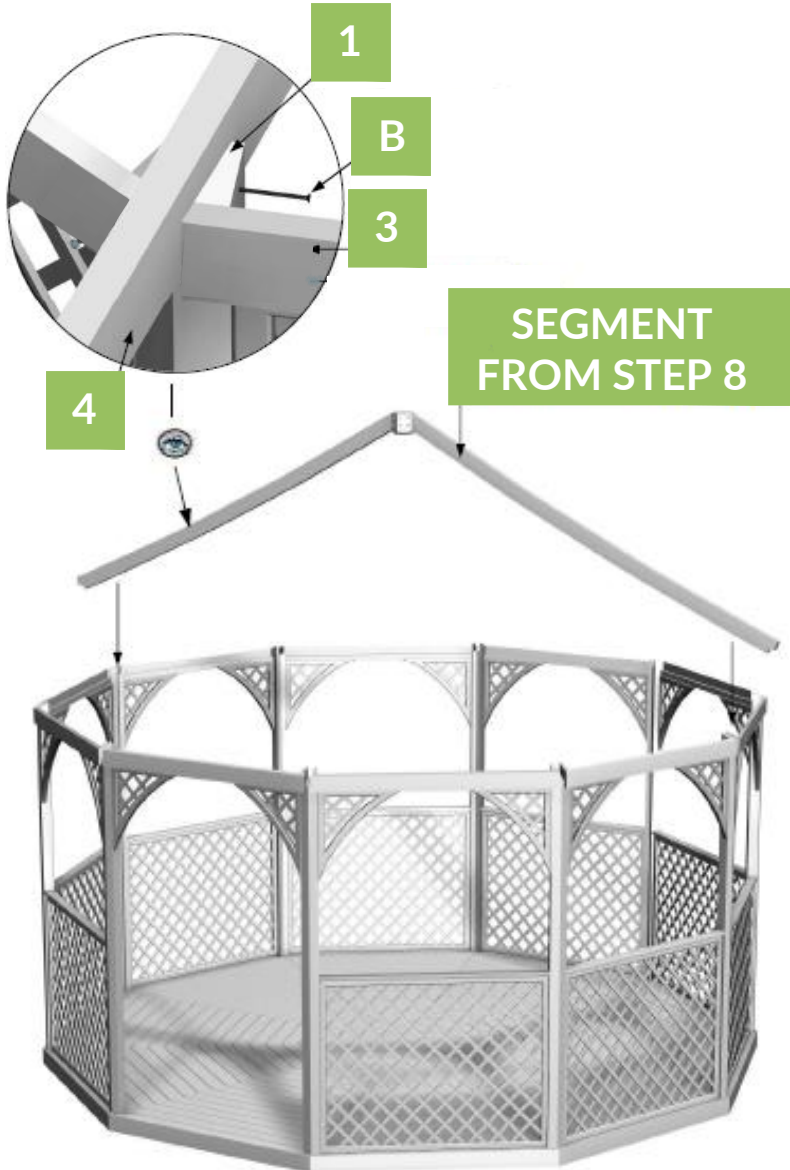
REPEAT STEP 7 - 5 TIMES

# STEP 8



# STEP 9

---

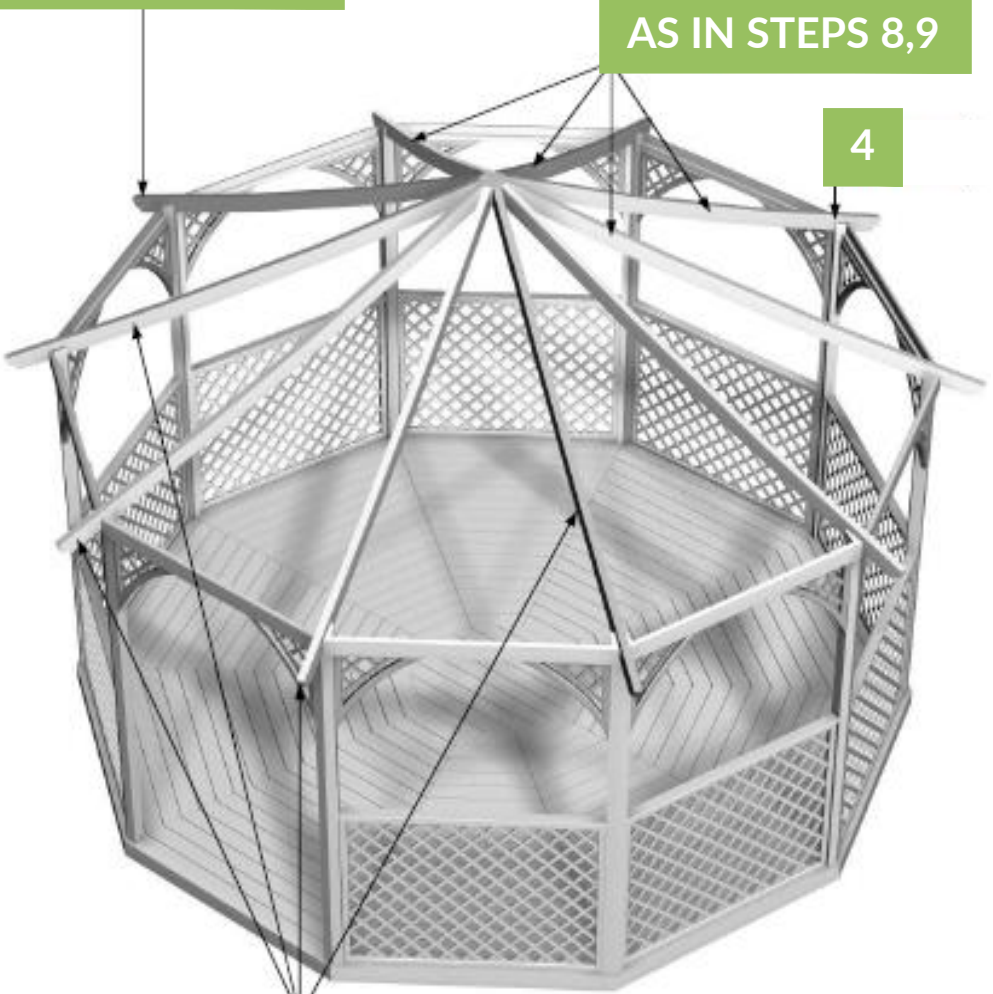


## STEP 10

SEGMENT FROM  
STEP 8

AS IN STEPS 8,9

4



AS IN STEPS 8,9

# STEP 11

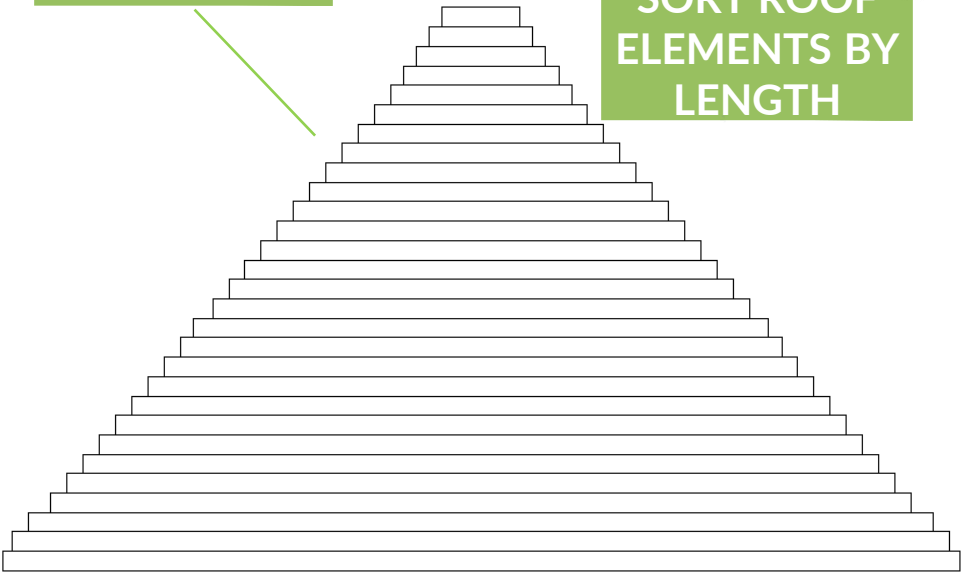
---

**TAKE ONE ITEM  
FROM EACH  
PACKAGE OF ROOF  
ELEMENTS**



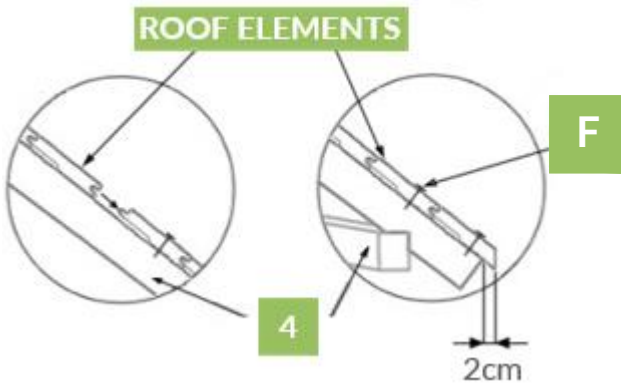
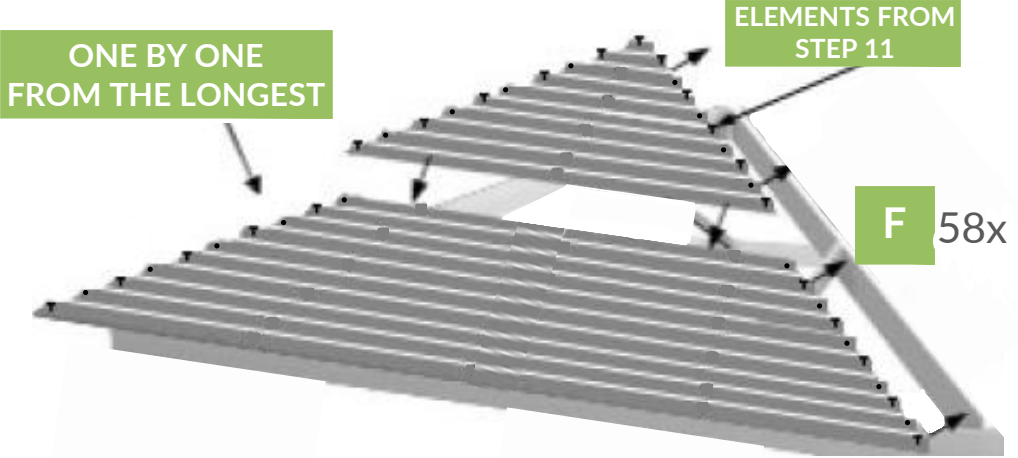
**29 ELEMENTS**

**SORT ROOF  
ELEMENTS BY  
LENGTH**



**REPEAT STEP – 10 TIMES**

## STEP 12



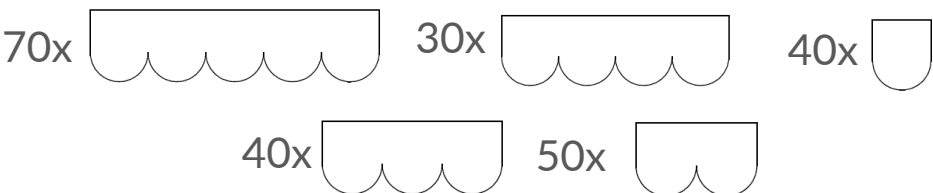
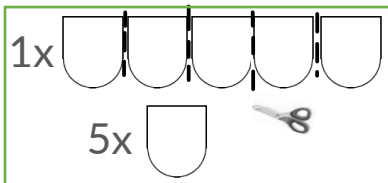
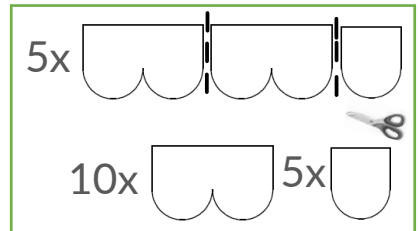
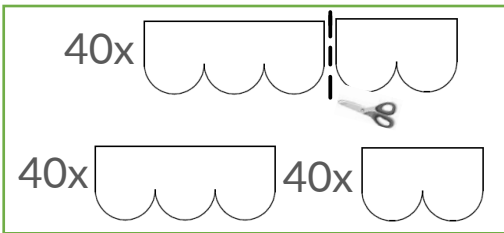
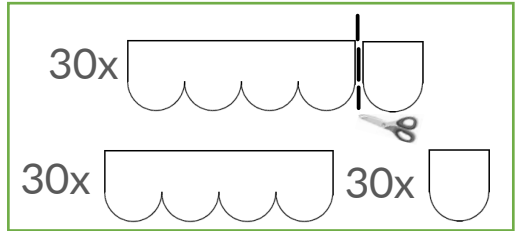
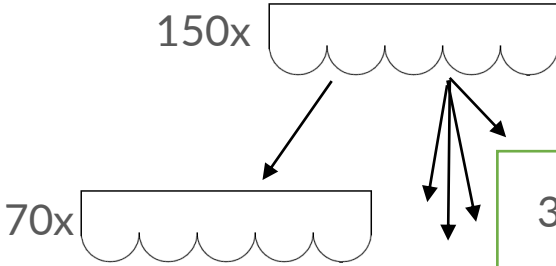
REPEAT STEP - 10 TIMES





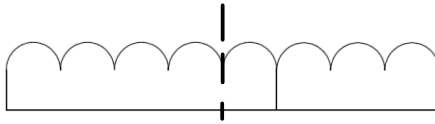
# STEP 14

## PREPARE TILED ELEMENTS FOR ROOF



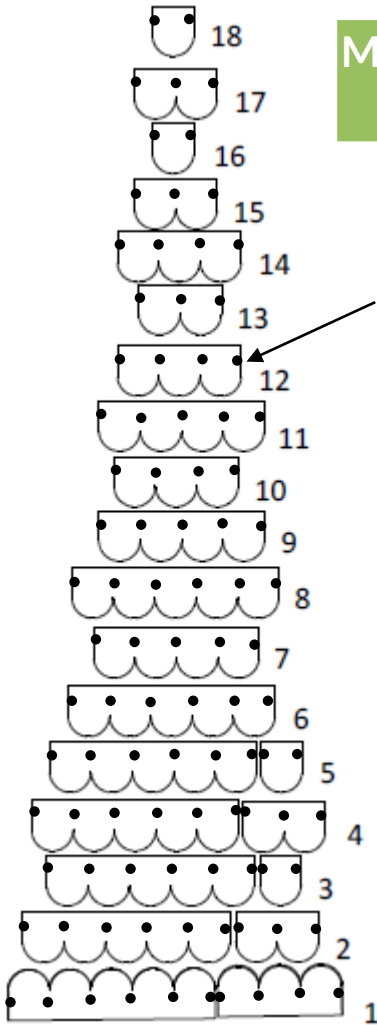
## STEP 15

**MONTAGE THE FIRST ELEMENT ON  
THE OPPOSITE AND DRAW  
AN AXIS IN THE MIDDLE**



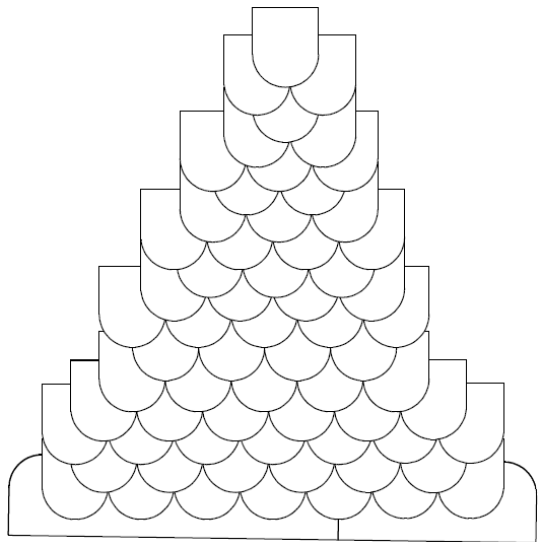
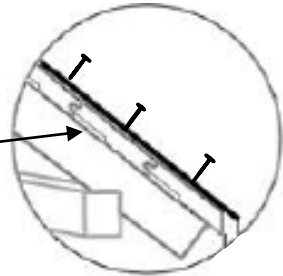
**AXIS WILL HELP IN MONTAGE OF  
TILL ELEMENTS  
DRAW AXIS ON EACH NEXT ELEMENT**

# STEP 16



**MONTAGE FROM  
1 TO 18**

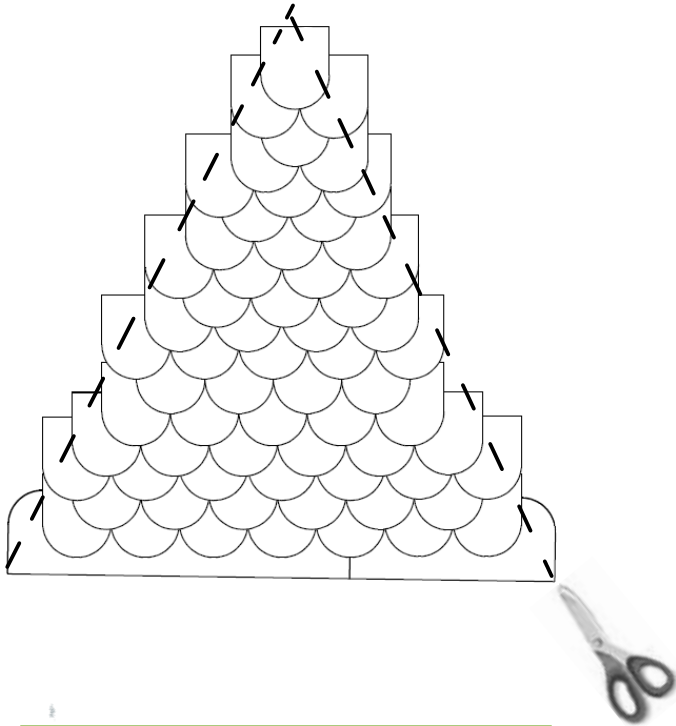
**D** 96x



**REPEAT STEP - 10 TIMES**

## STEP 17

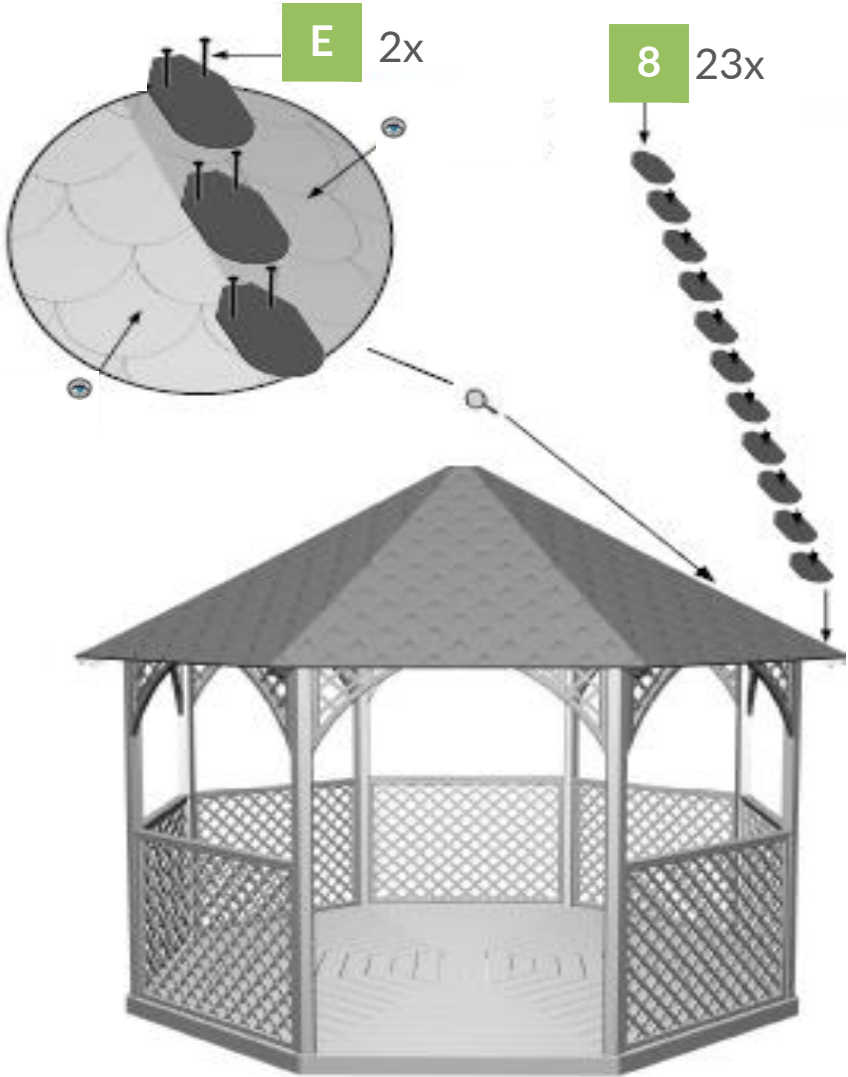
---



**CUT THE SCHINGLES TO  
THE SHAPE OF THE ROOF  
(ALONG THE JOINING  
LINES OF THE SEGMENTS)**

**REPEAT STEP – 10 TIMES**

# STEP 18



REPEAT STEP 13 AROUND THE ROOF

# STEP 19

