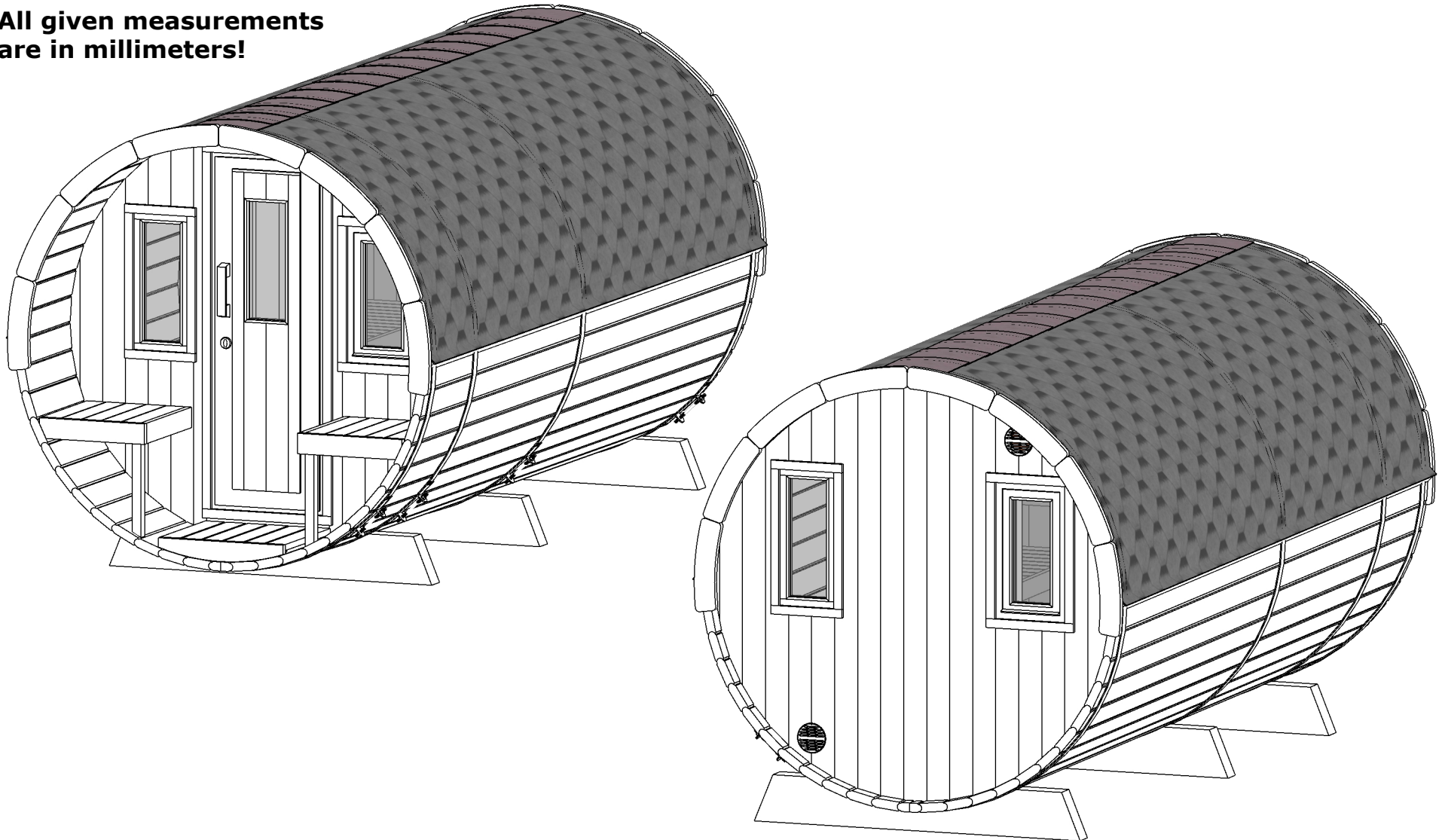


# Sauna 400, Ø200

**NB! Please read whole manual  
before start.**

**All given measurements  
are in millimeters!**

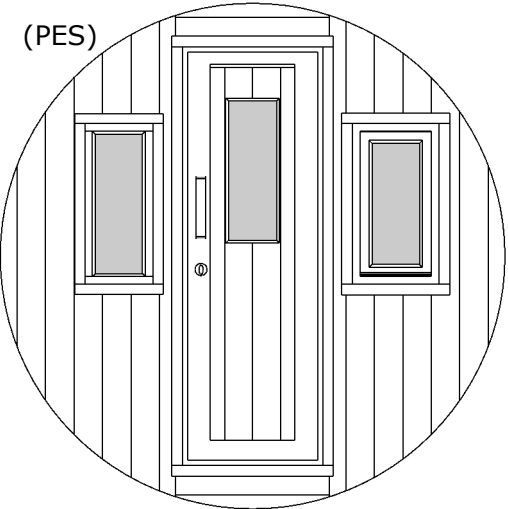


(I20-PES-PES-PTS-016)

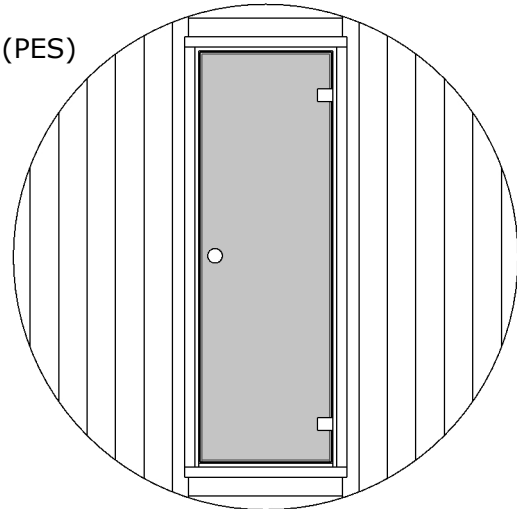
# Wall configuration.

Windows are optional!

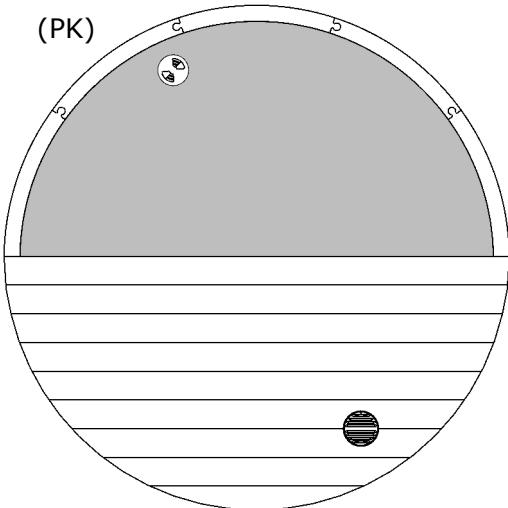
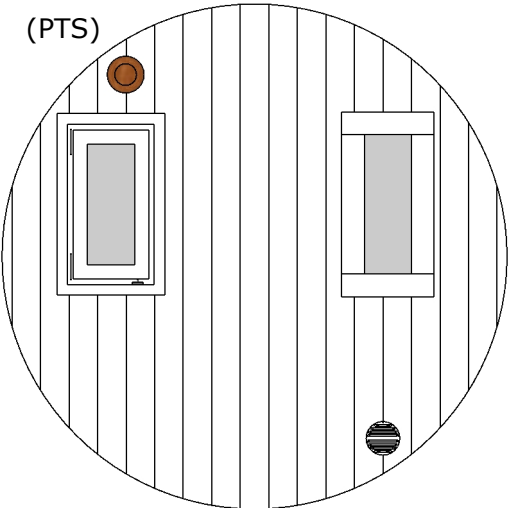
**Front wall**



**Middle wall**

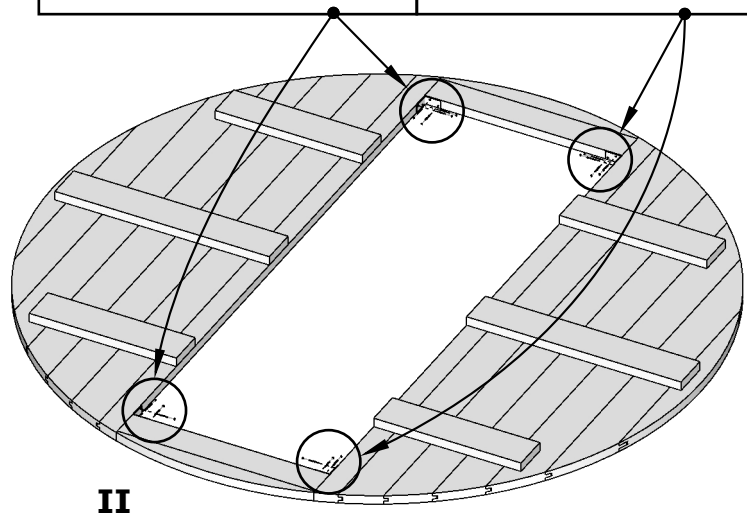
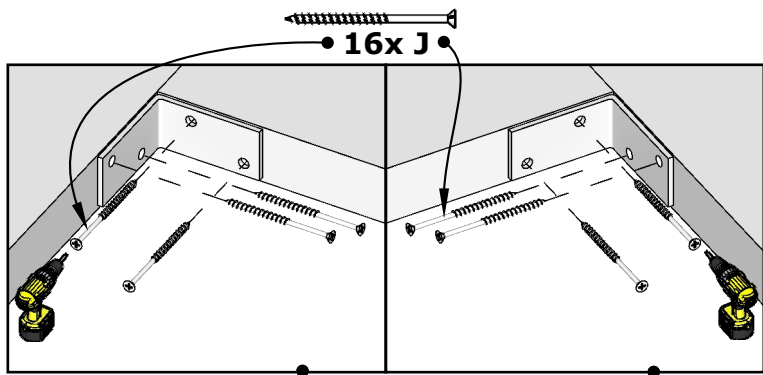
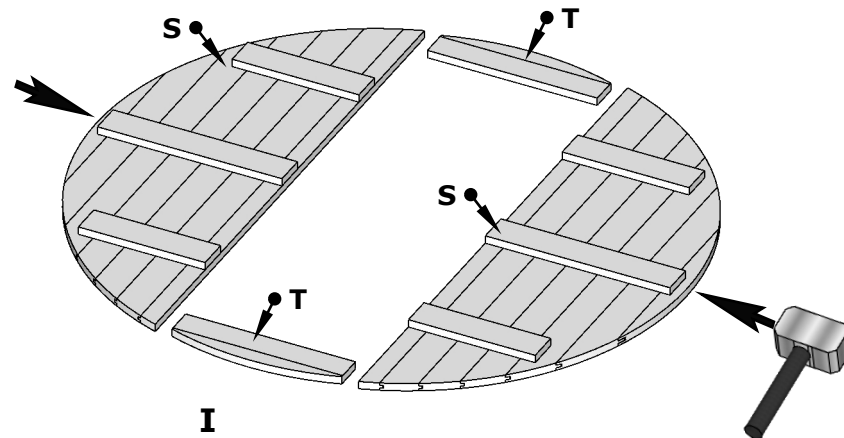
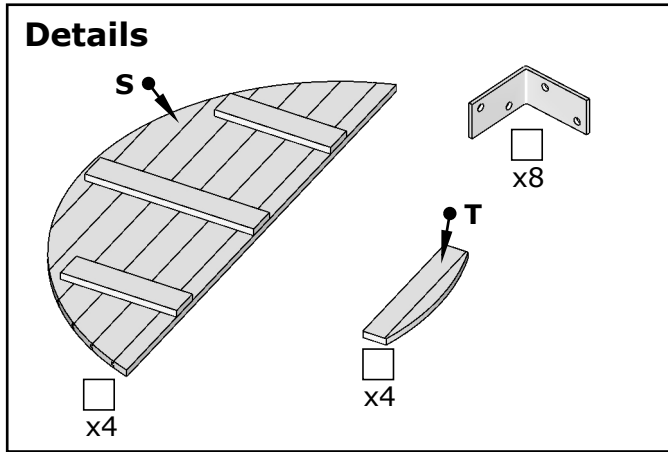


**Back wall**

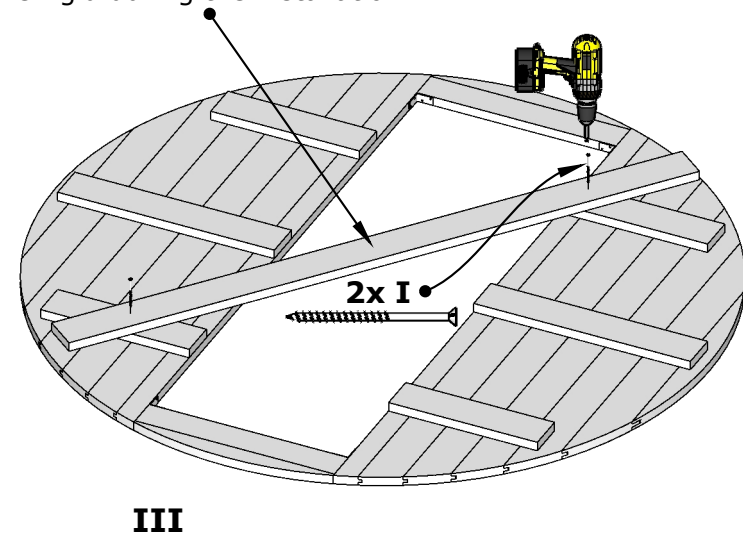


# Wooden front and middle wall assembly

## Details

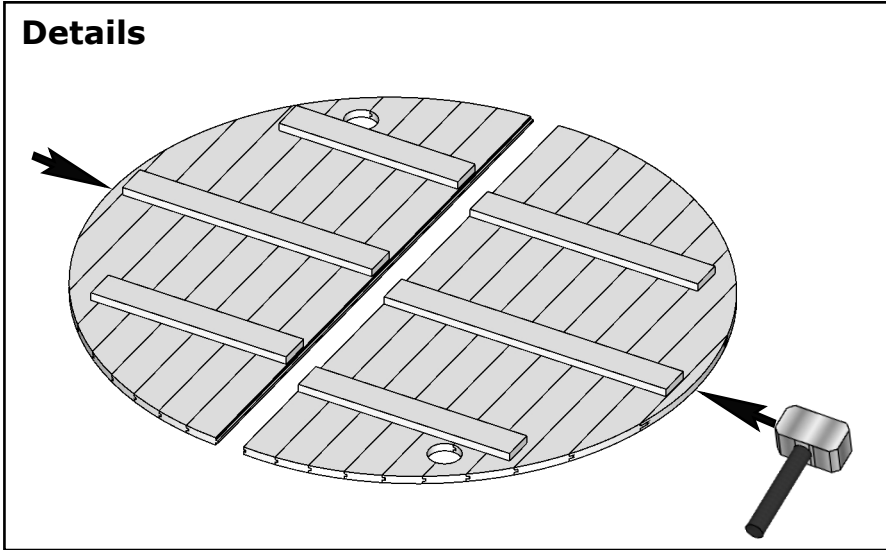


Cut board from pallet L= $\sim$ 1900mm.  
Fix it diagonally to make wall  
more rigid during the installation.

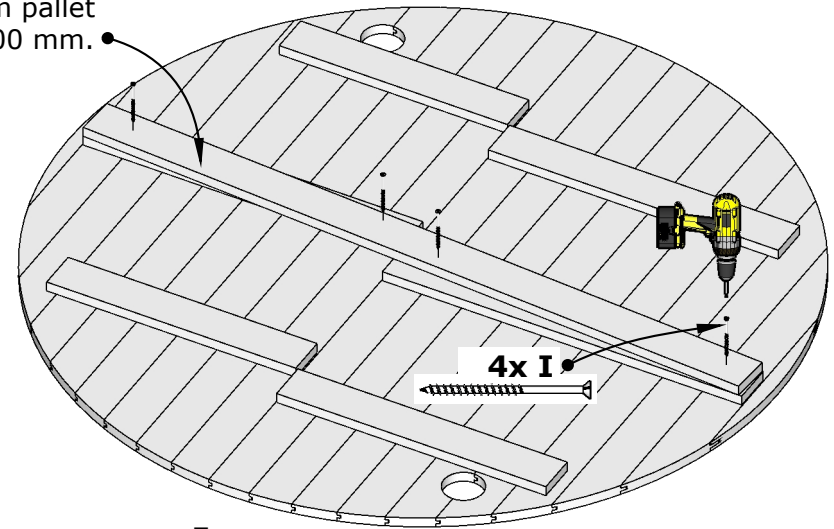


# Wooden back wall assembly

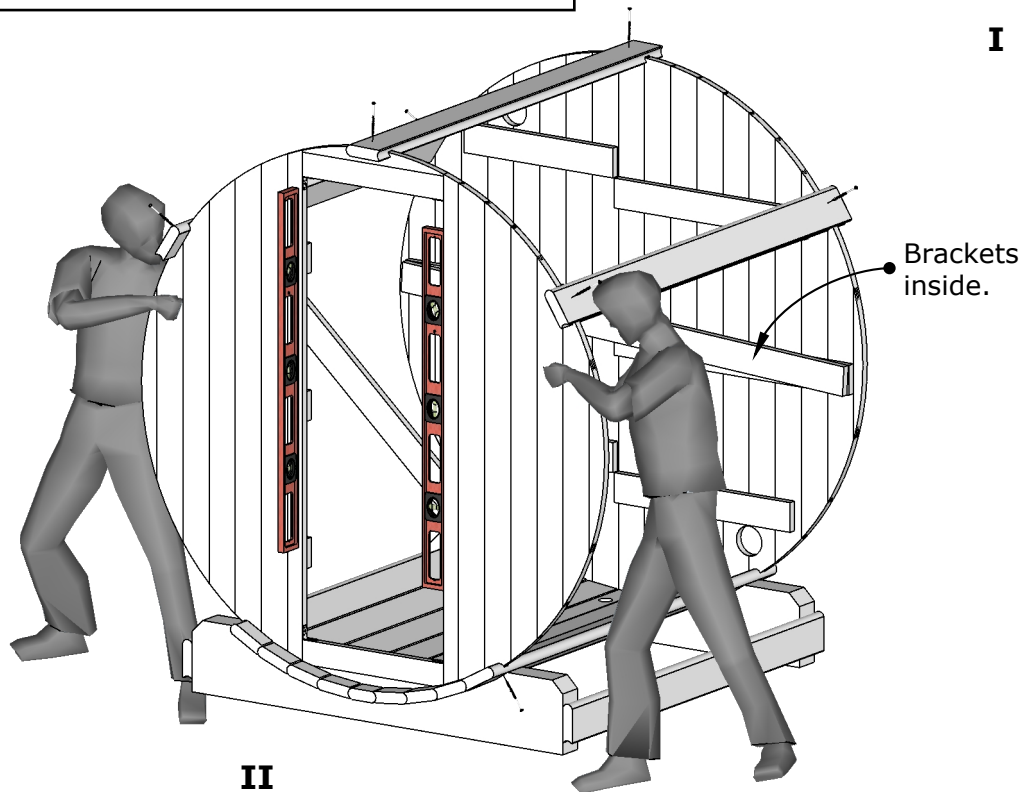
## Details



Cut board from pallet  
L≈1900 mm.



I



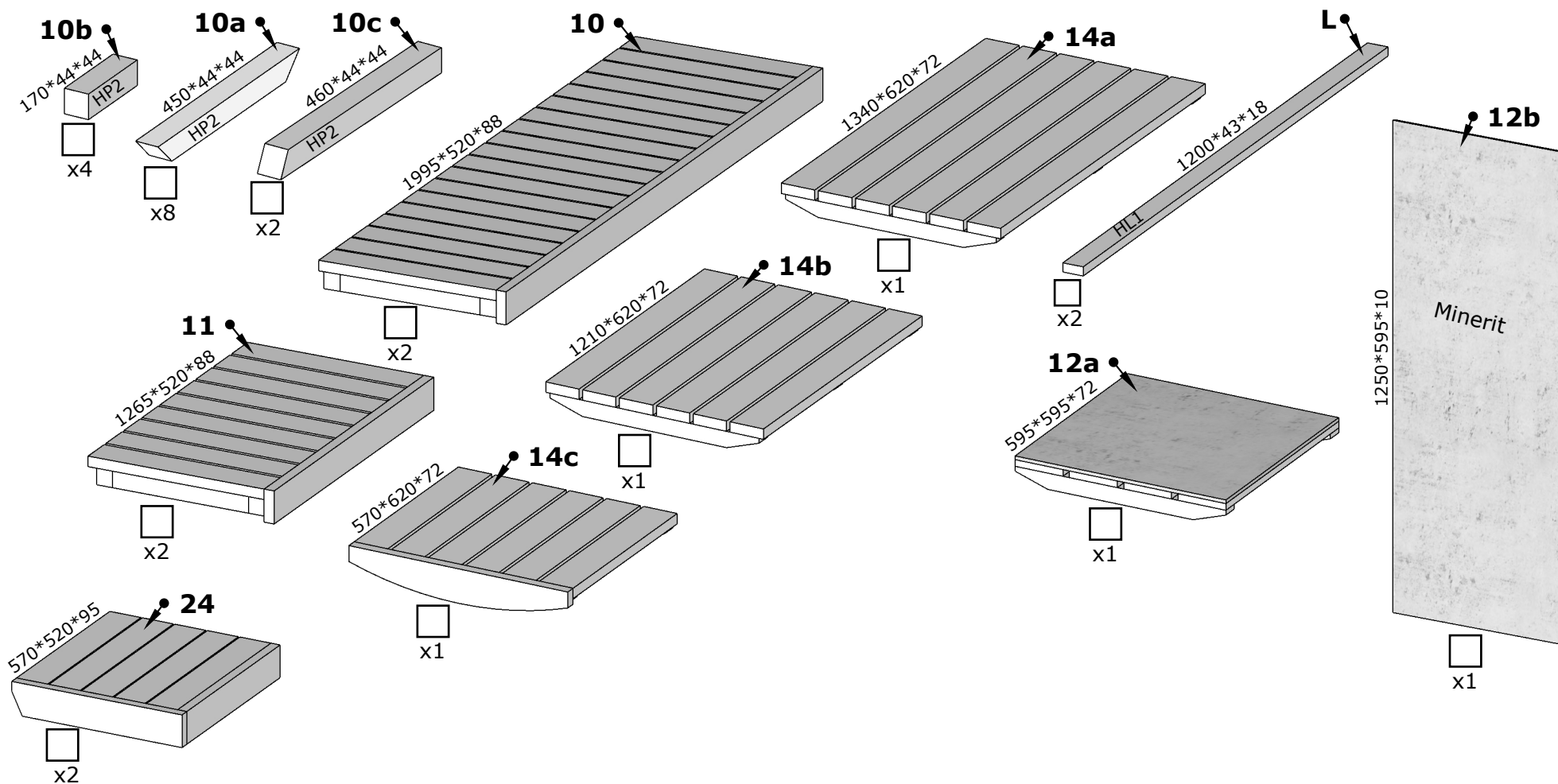
II

(I20-PES-PES-PTS-016)

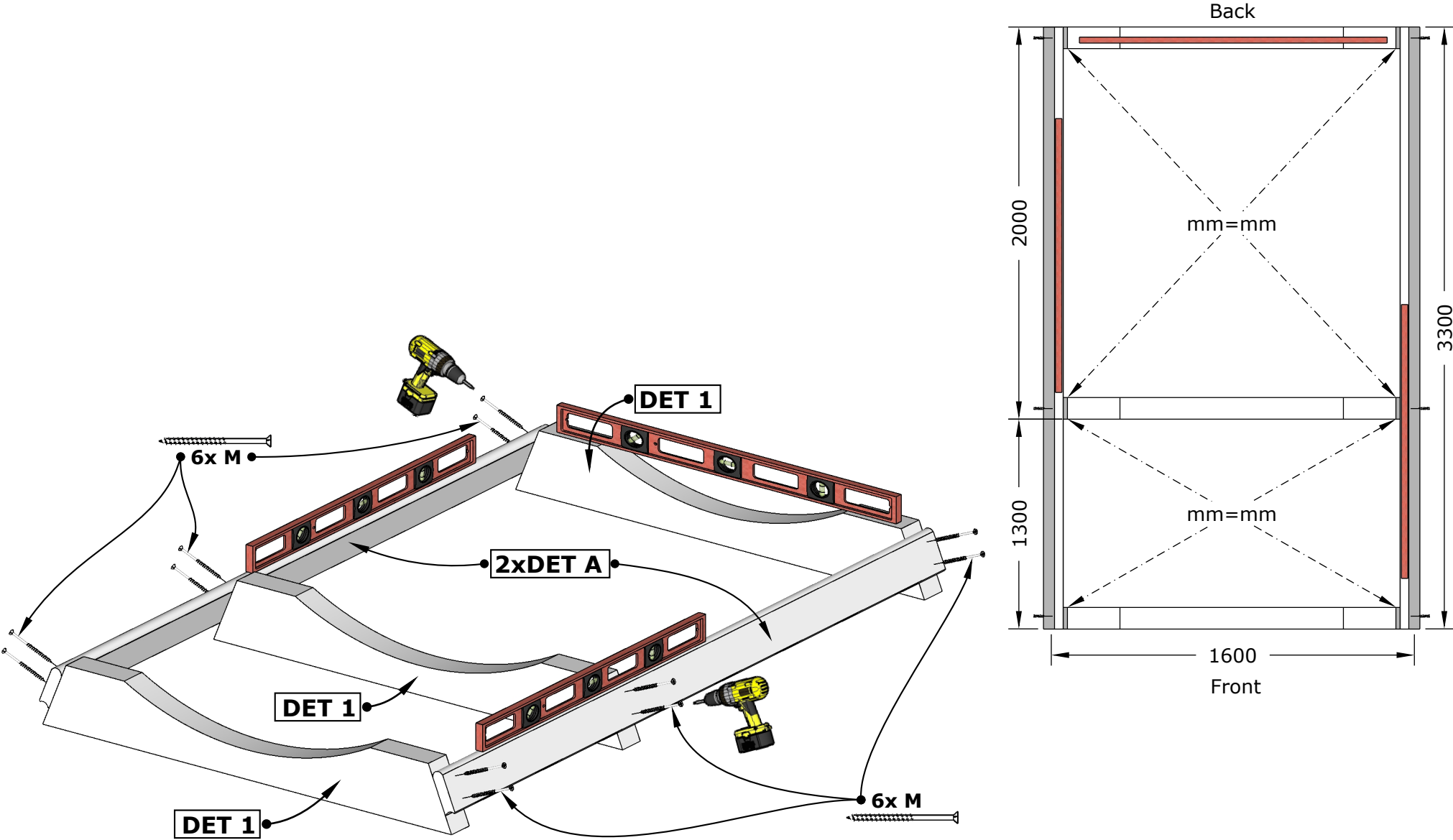


# Sauna 400, Ø200

## Details list.2



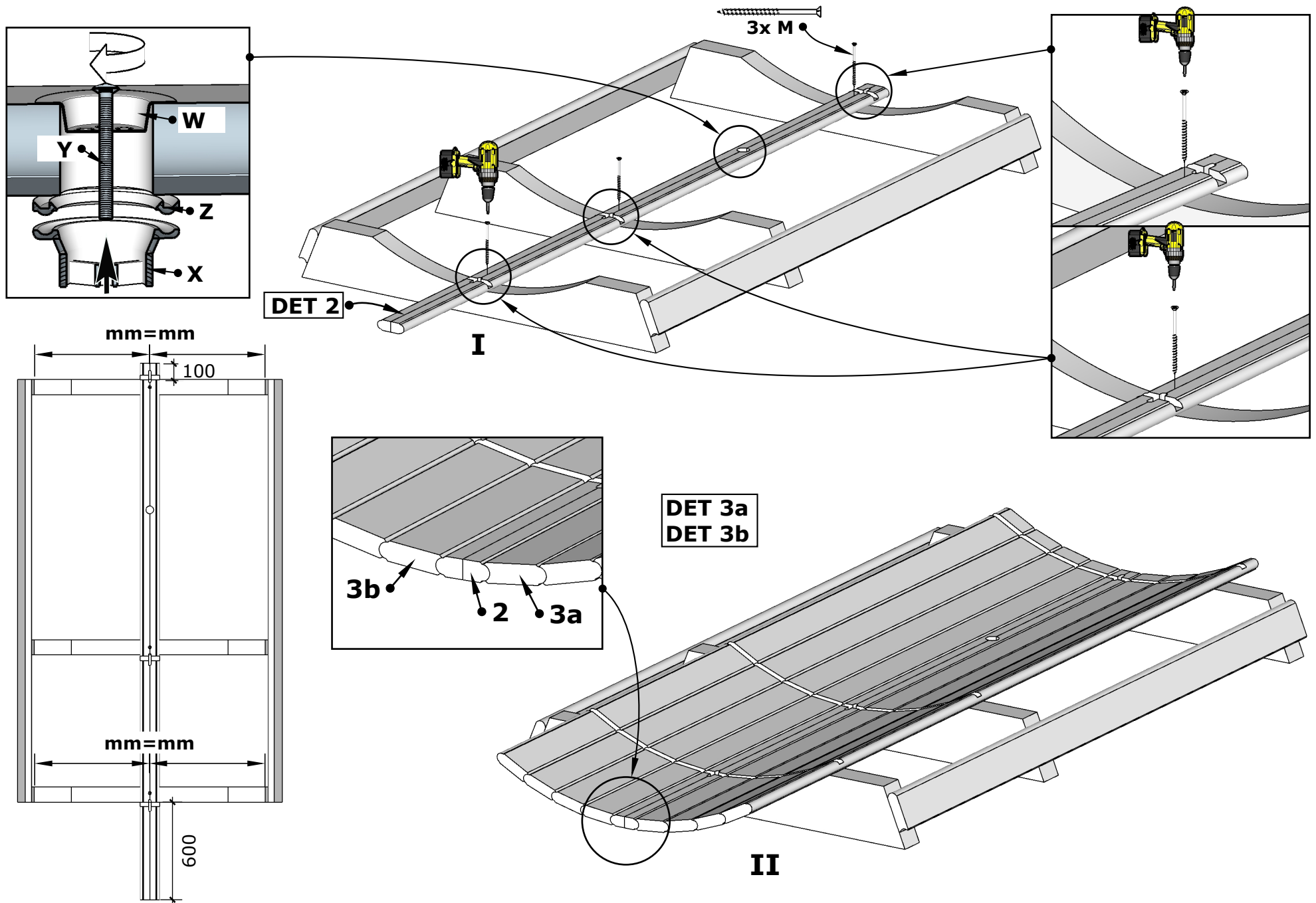
# Sauna 400, Ø200



1.

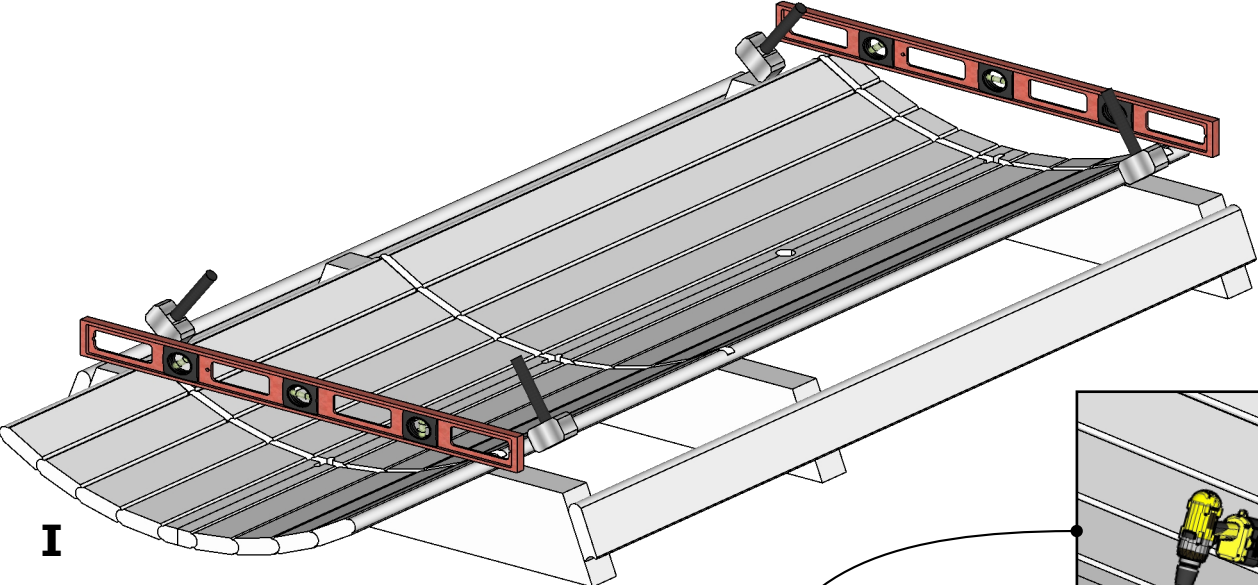
(I20-PES-PES-PTS-016)

# Sauna 400, Ø200

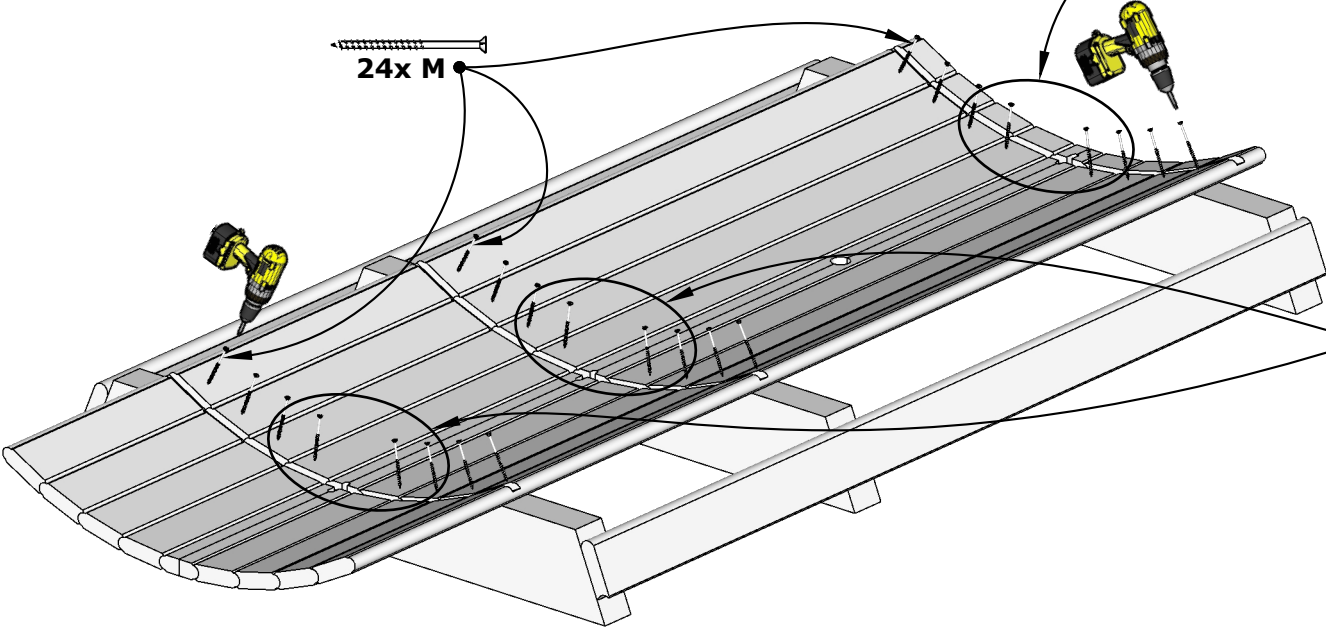




Sauna 400, Ø200

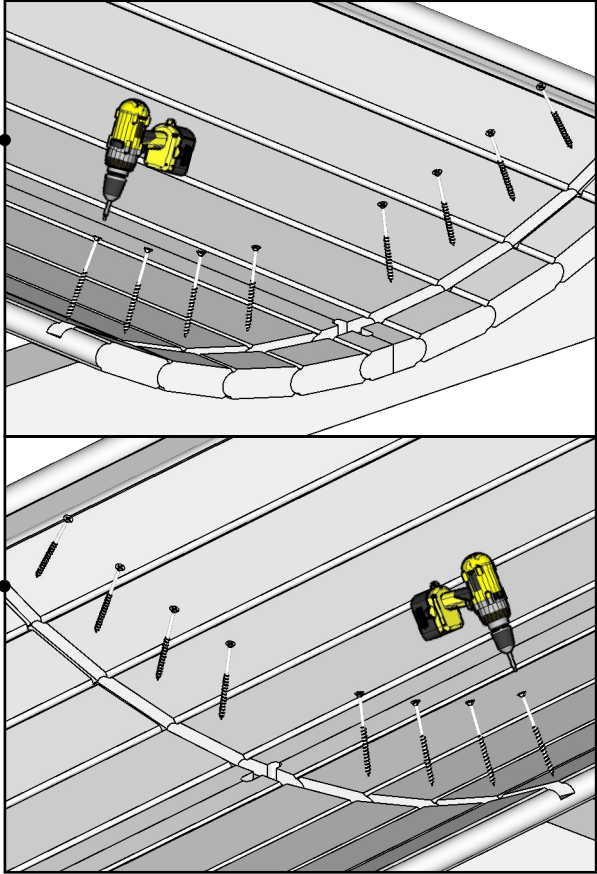


I



24x M

II



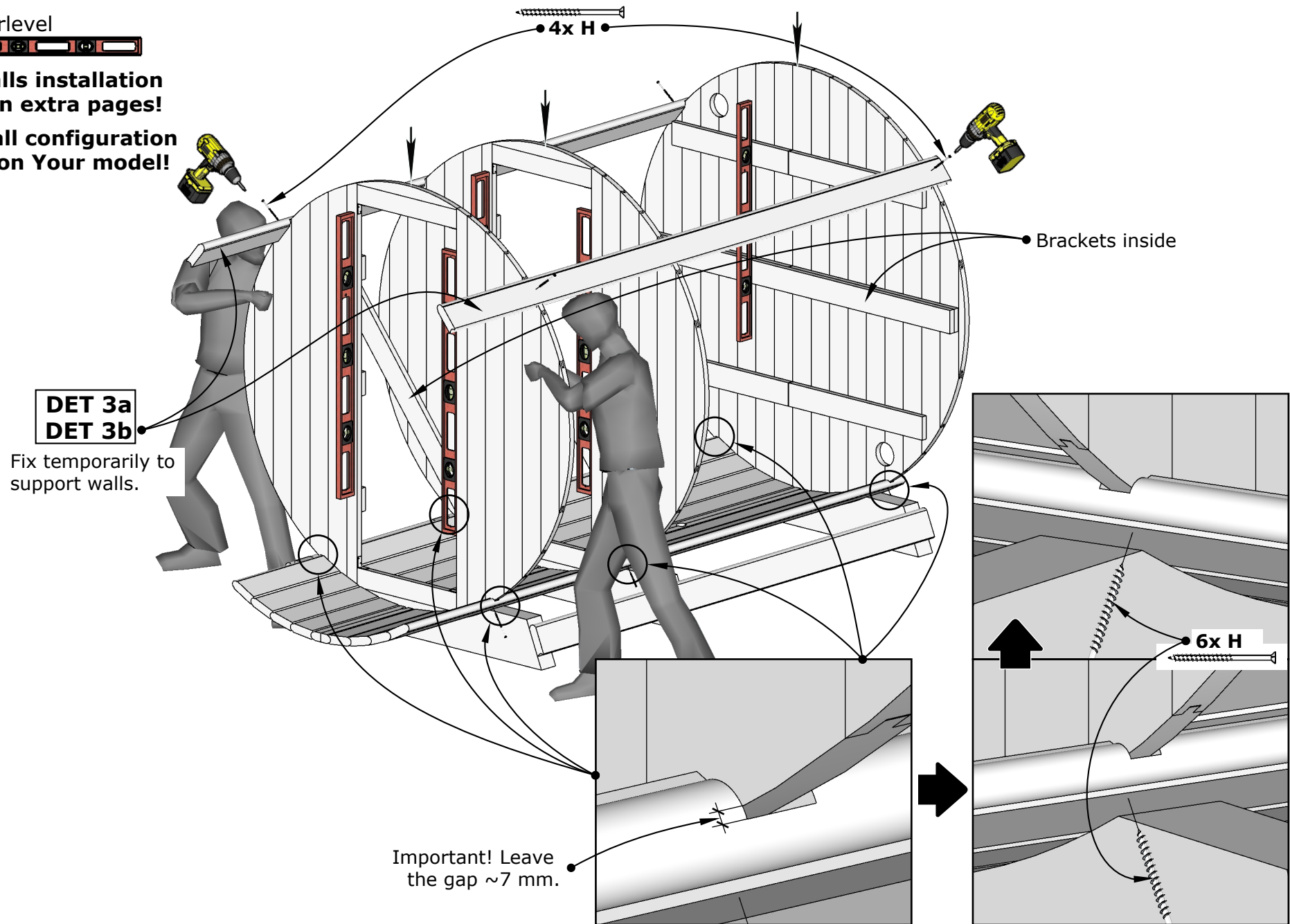
# Sauna 400, Ø200

Use waterlevel

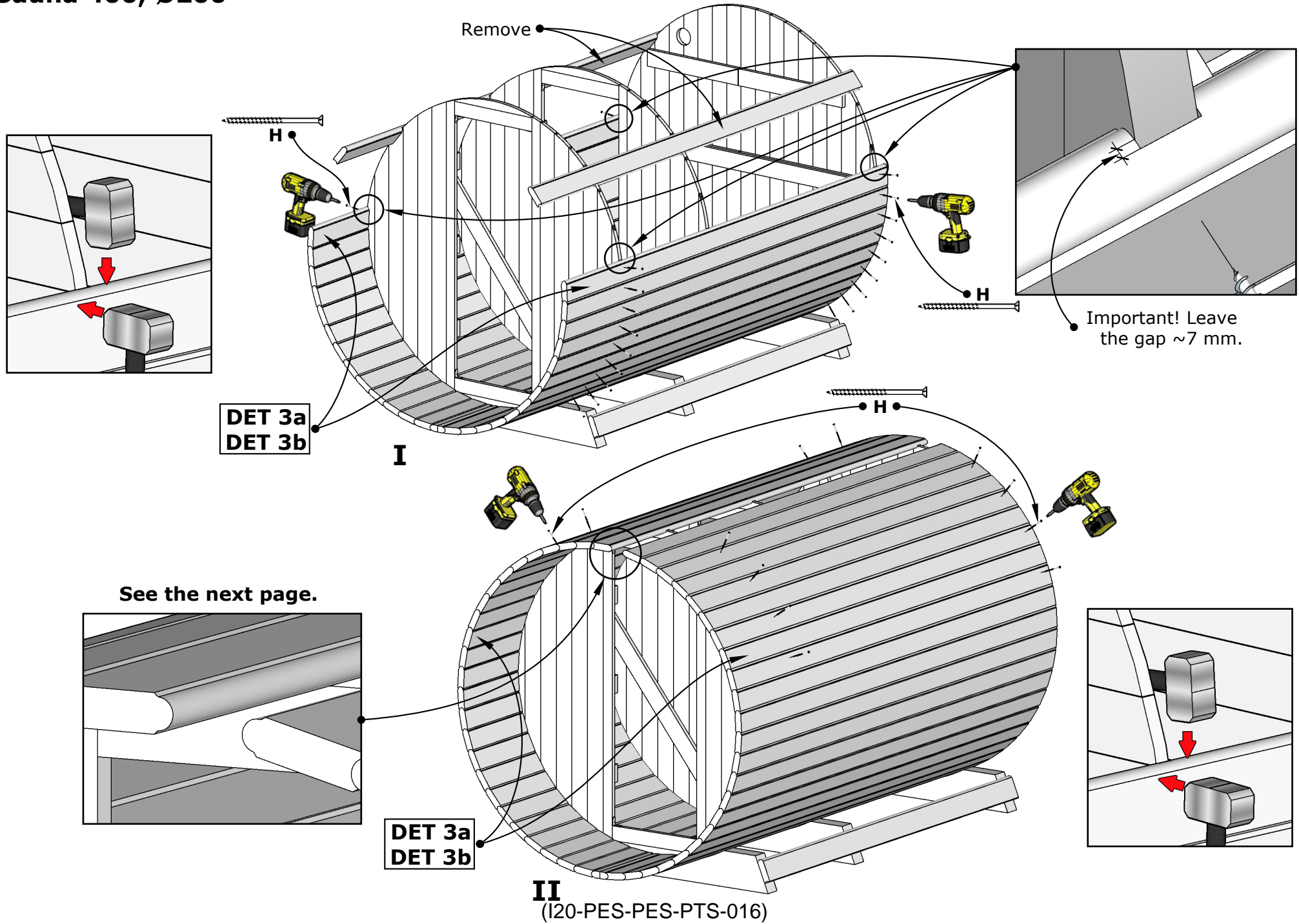


Check walls installation manual on extra pages!

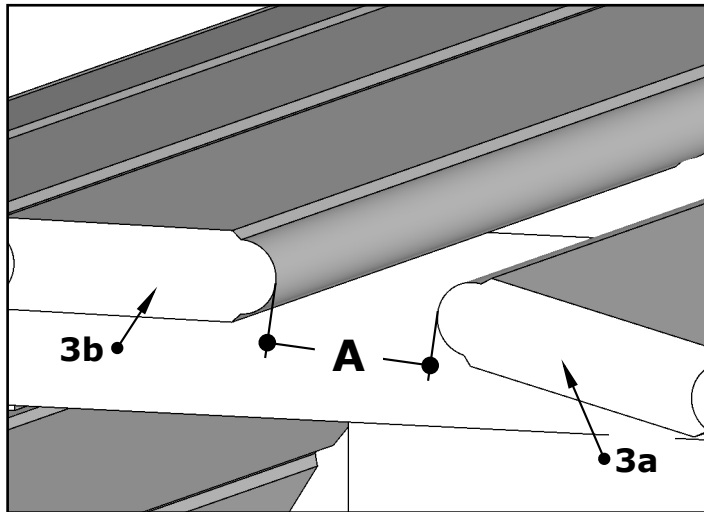
Sauna wall configuration depends on Your model!



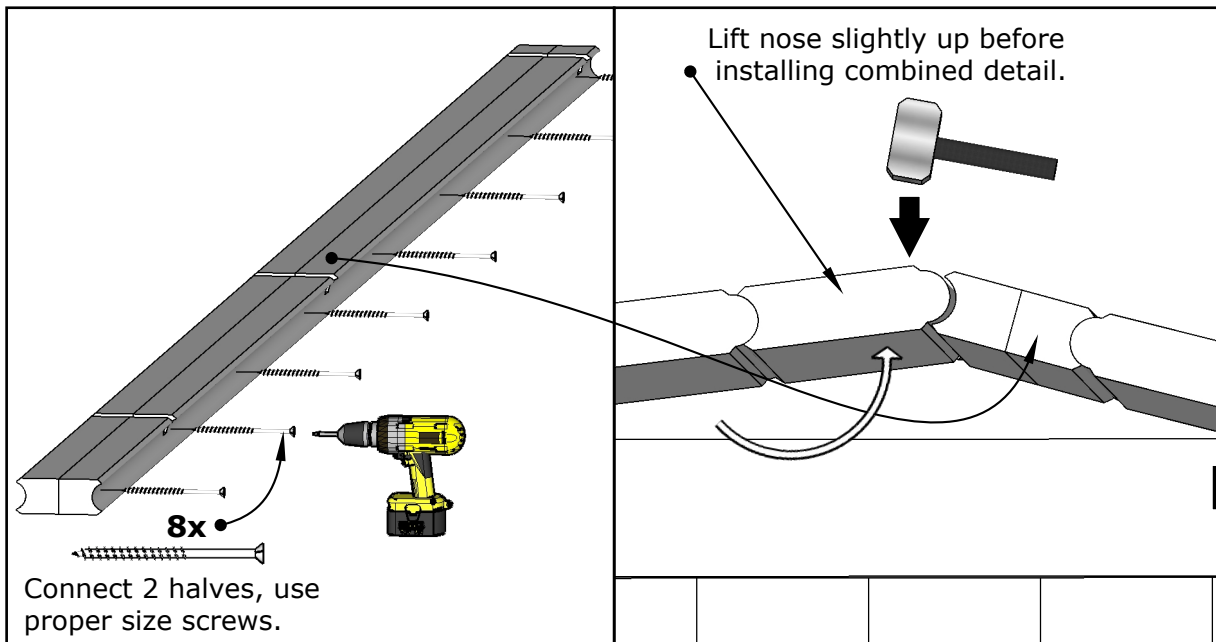
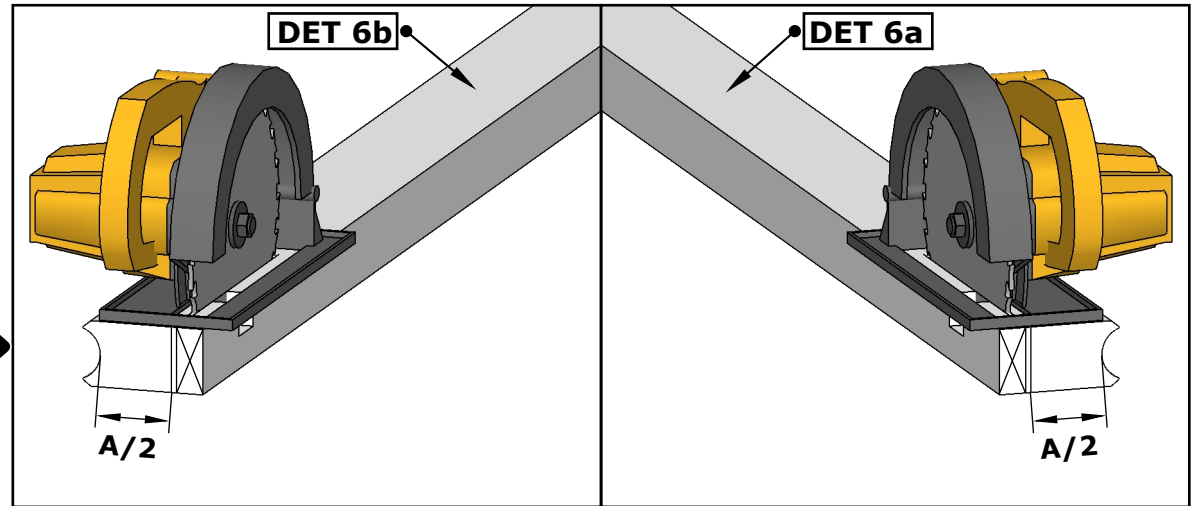
# Sauna 400, Ø200



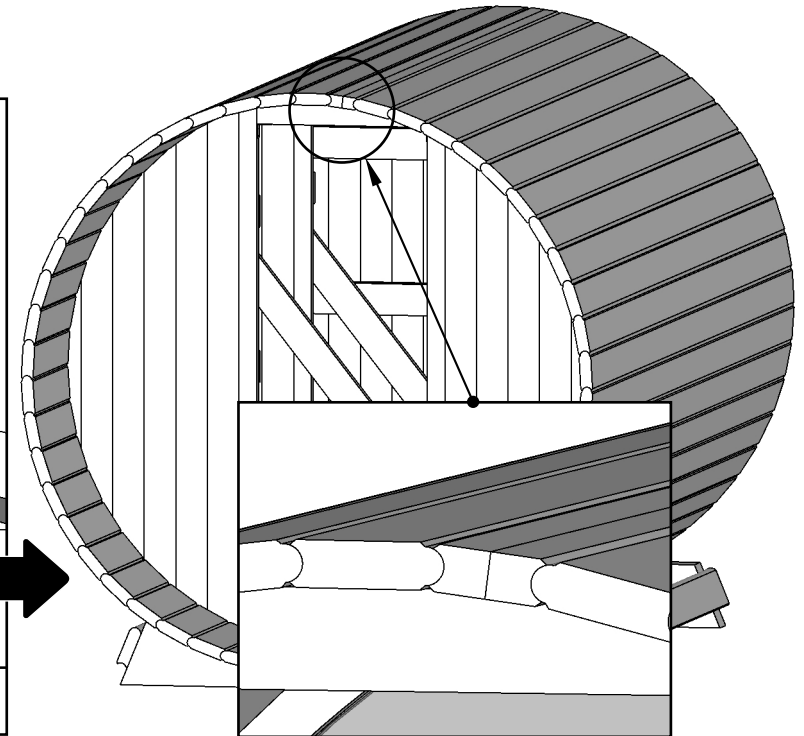
# Sauna 400, Ø200



I



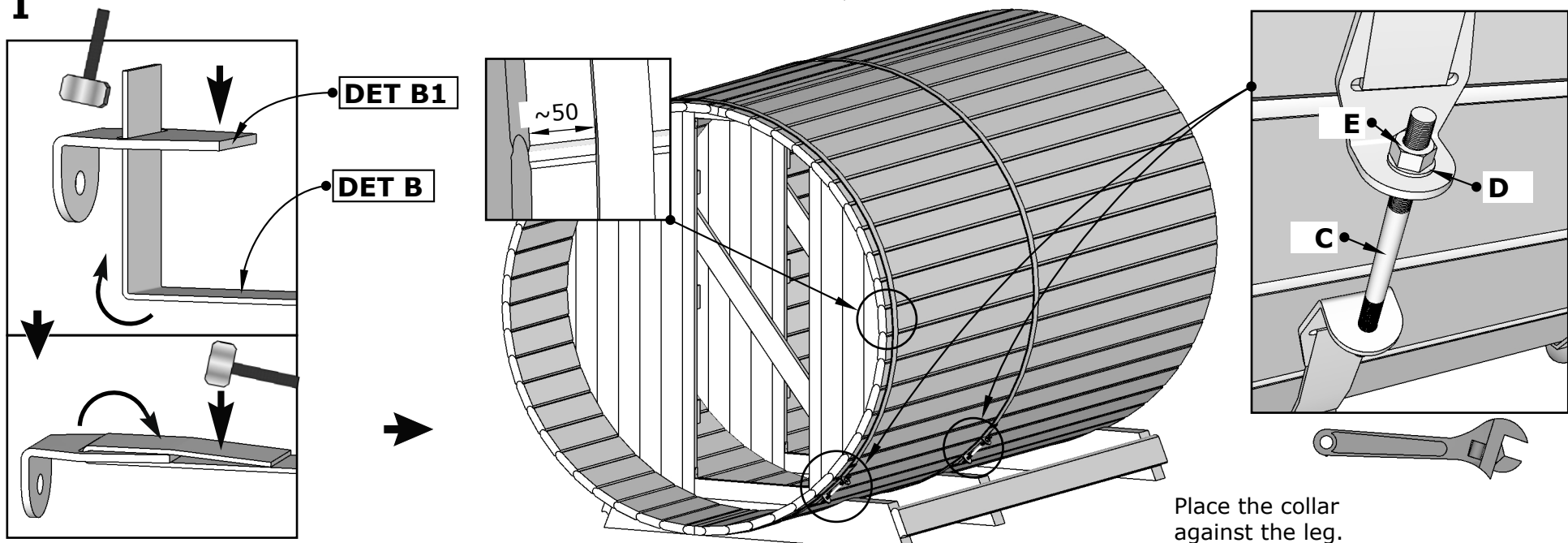
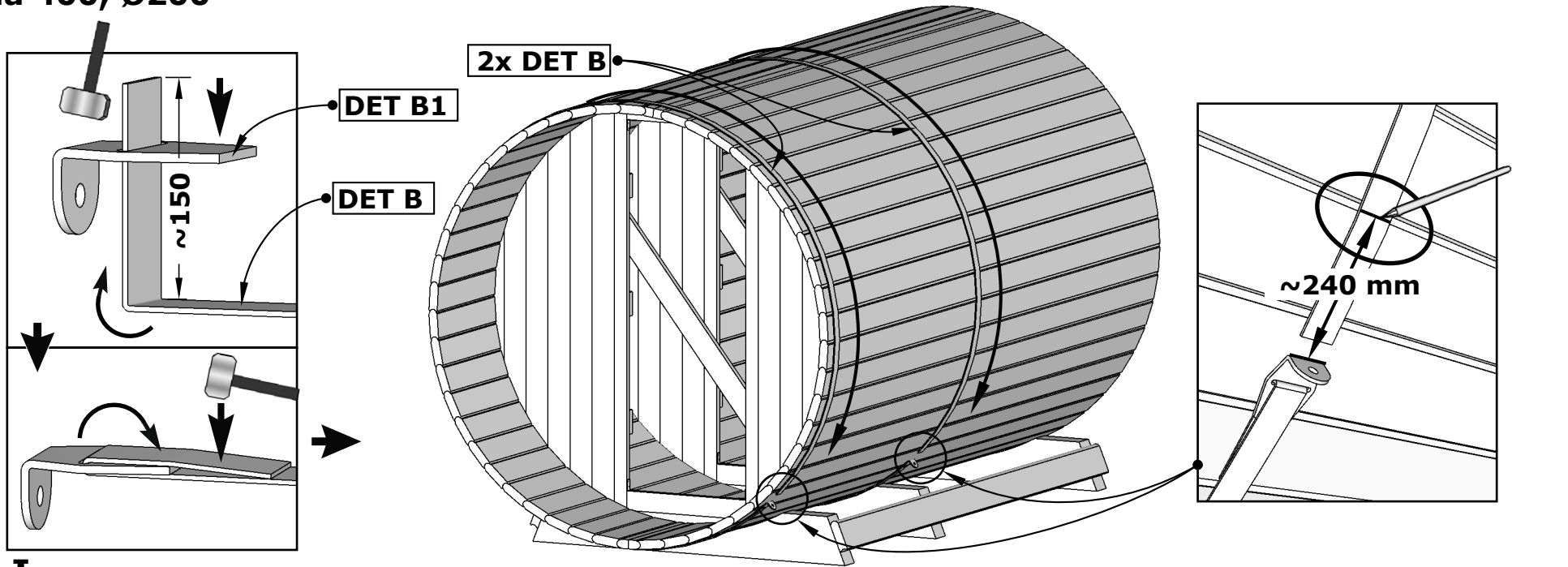
II



6.

(I20-PES-PES-PTS-016)

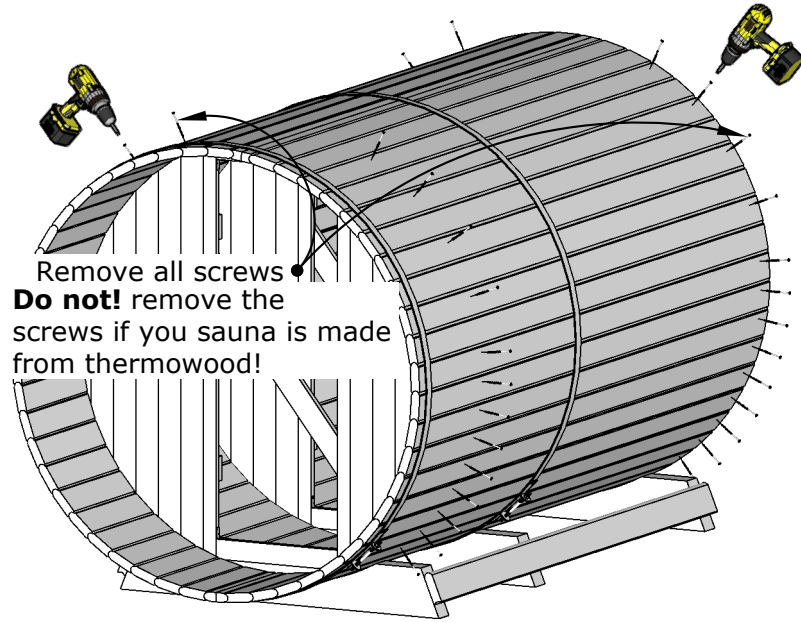
# Sauna 400, Ø200



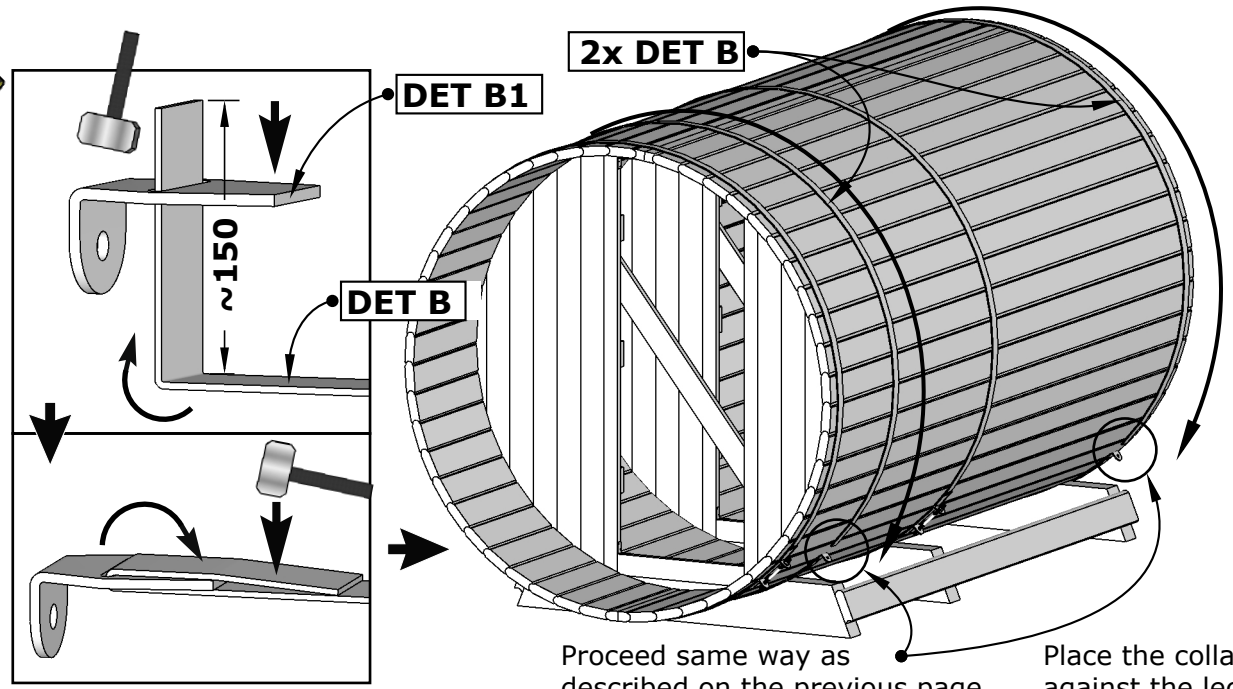
7.

(I20-PES-PES-PTS-016)

# Sauna 400, Ø200

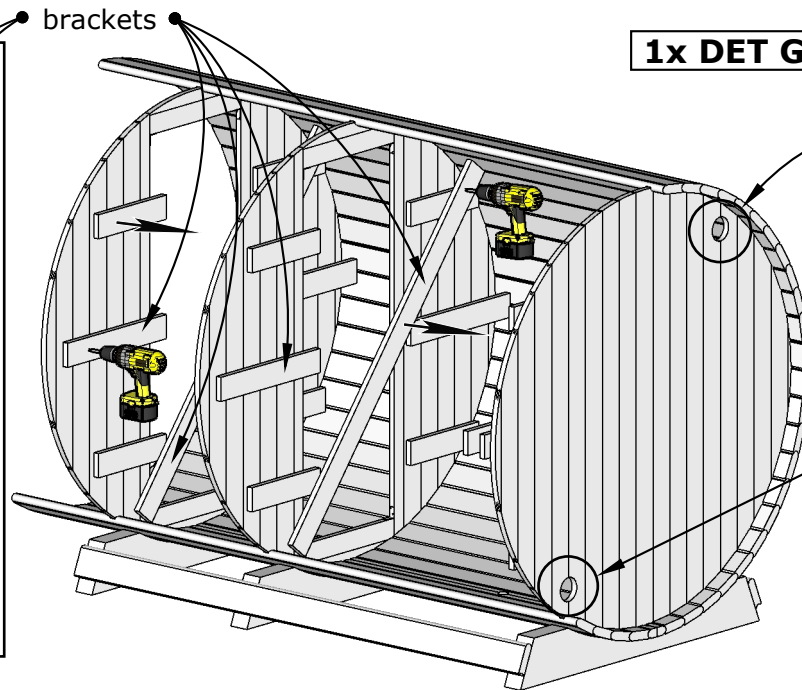
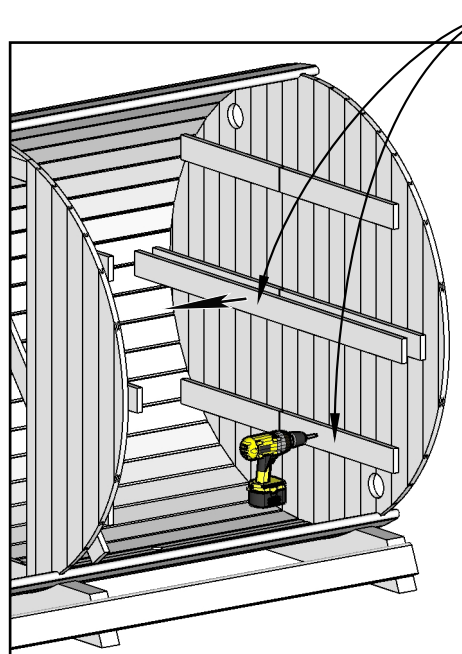


**I**

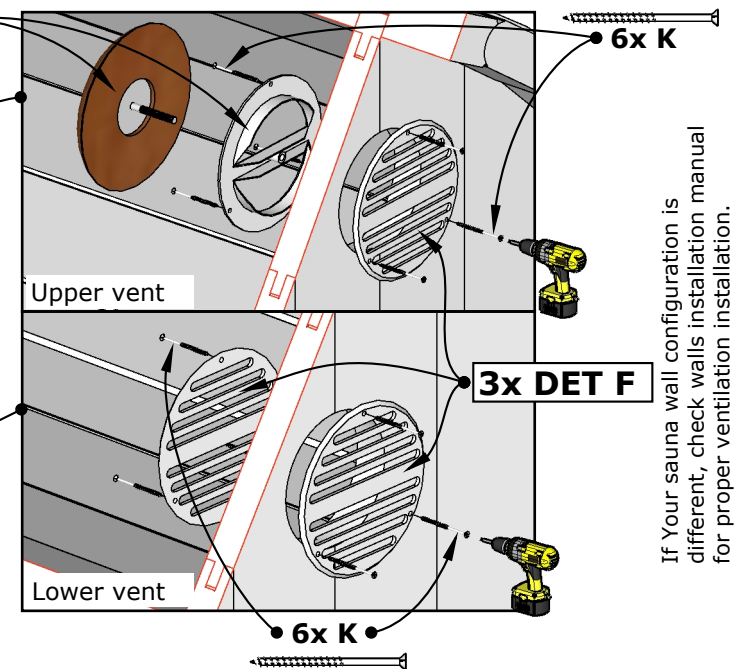


Proceed same way as described on the previous page

Place the collar against the leg.



1x DET G



Upper vent

Lower vent

3x DET F

6x K

6x K

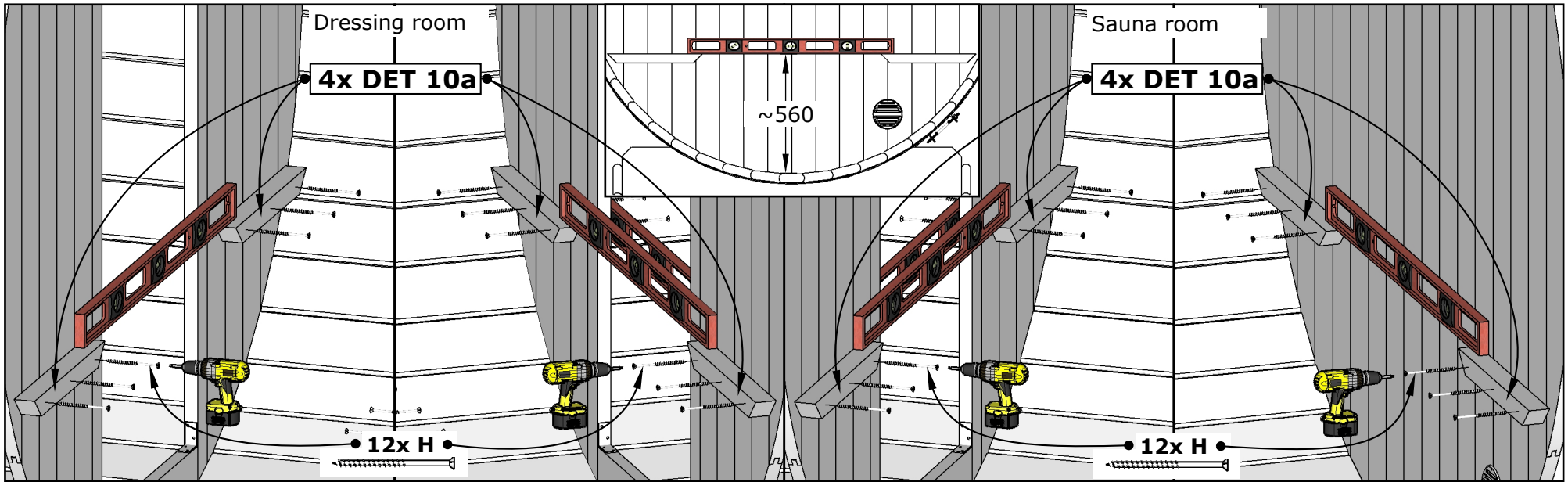
If Your sauna wall configuration is different, check walls installation manual for proper ventilation installation.

8.

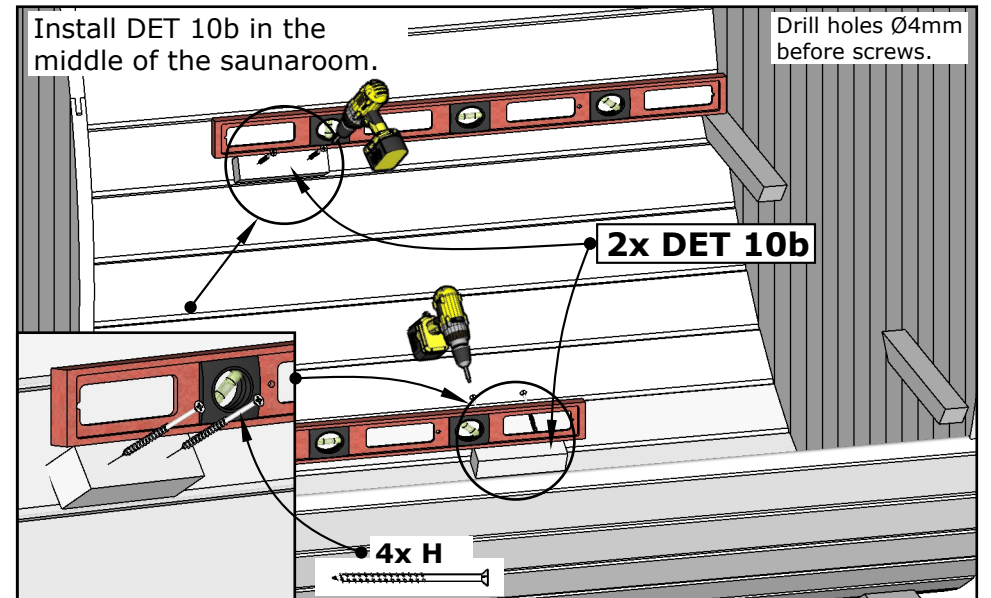
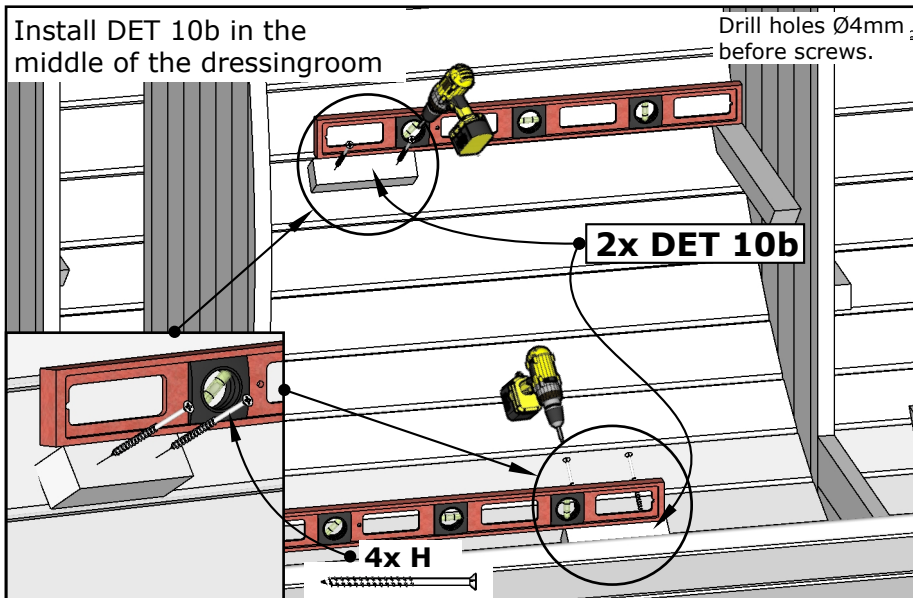
**II**

(I20-PES-PES-PTS-016)

# Sauna 400, Ø200



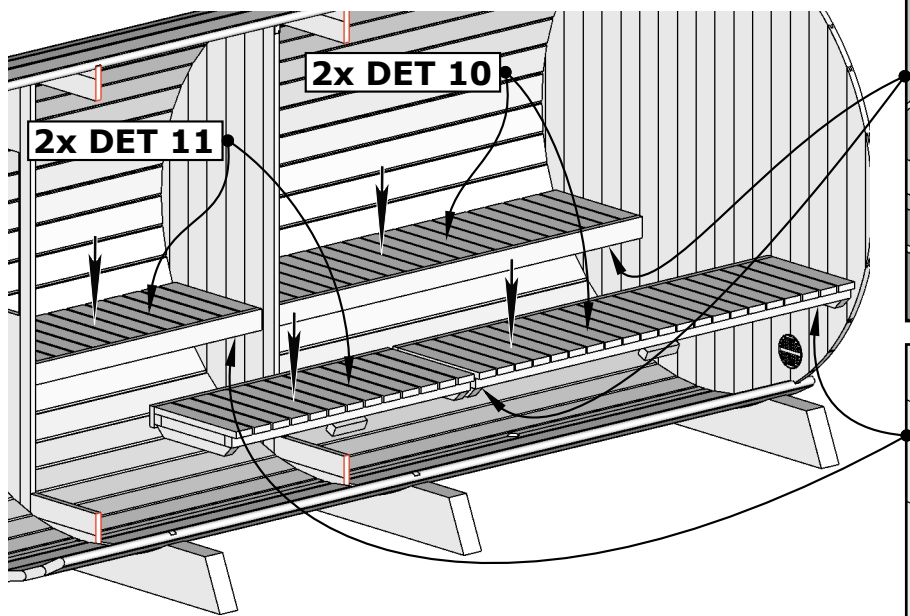
**I** NB! If Your sauna equipped with front glass-wall, the sauna benches installation manual included in front glass-wall installation manual.



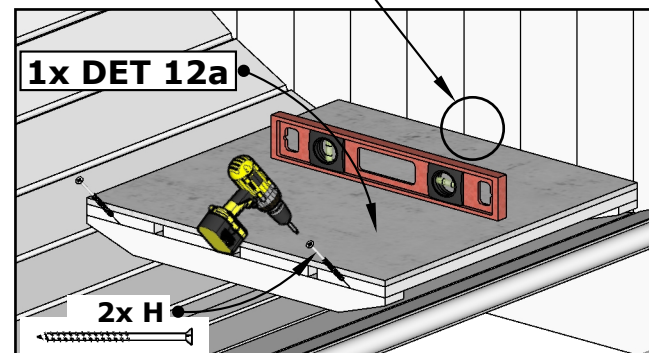
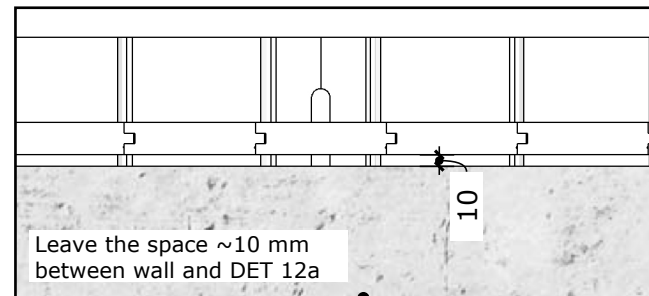
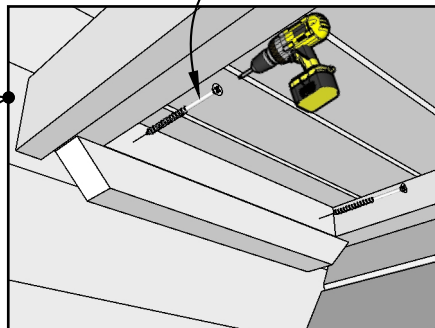
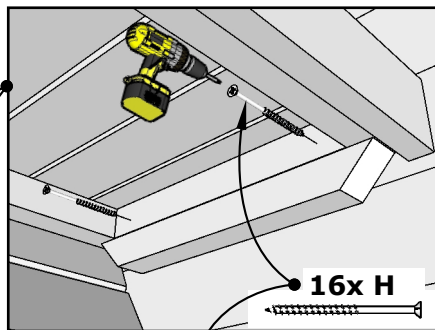
9. **II**

(I20-PES-PES-PTS-016)

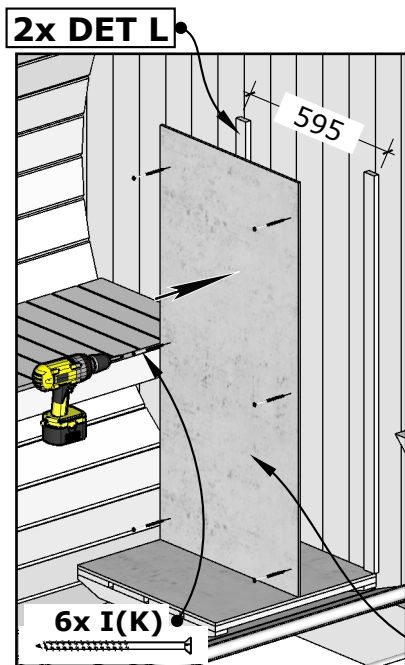
# Sauna 400, Ø200



I

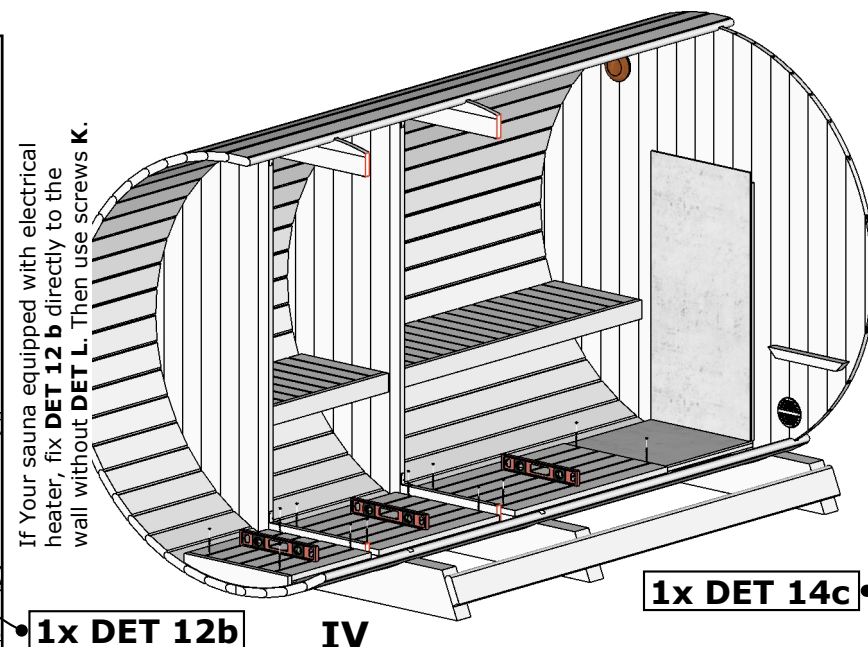


II

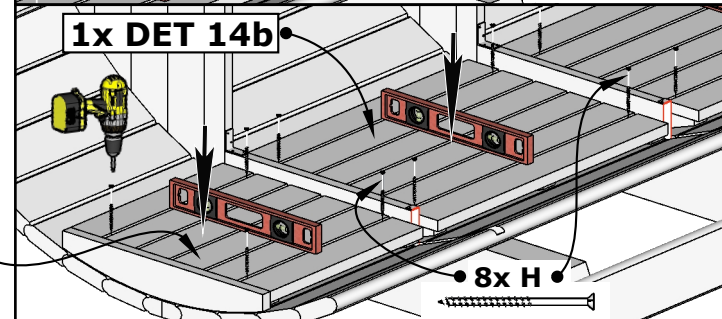
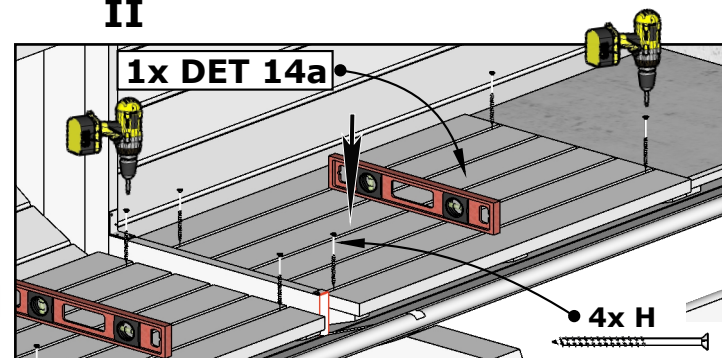


III

If your sauna equipped with electrical heater, fix DET 12 b directly to the wall without DET L. Then use screws K.

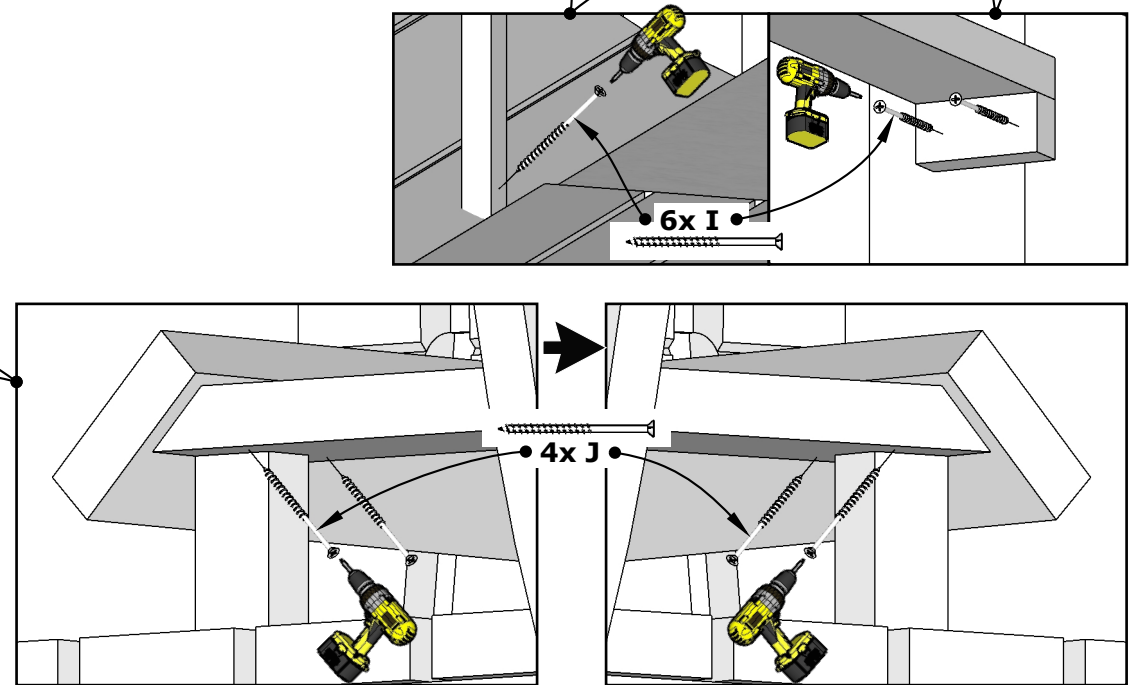
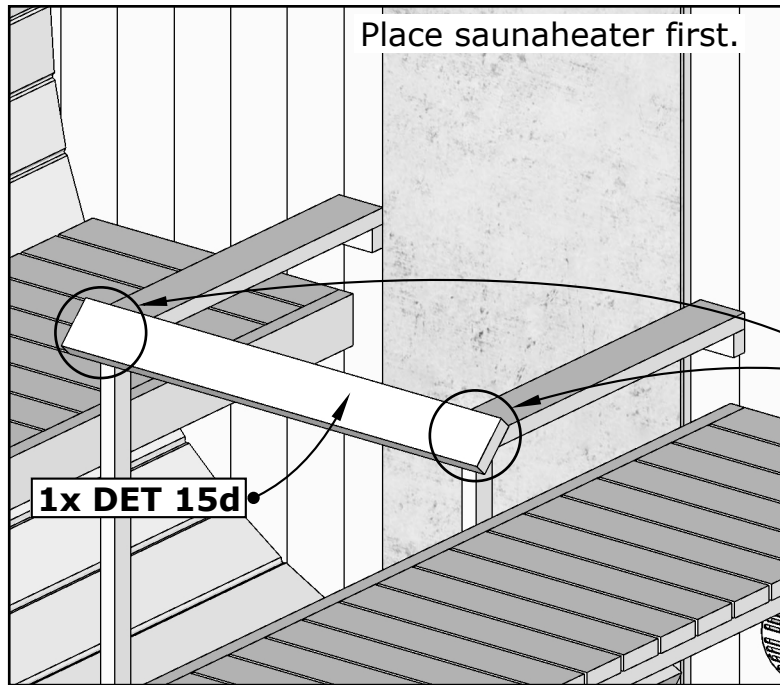
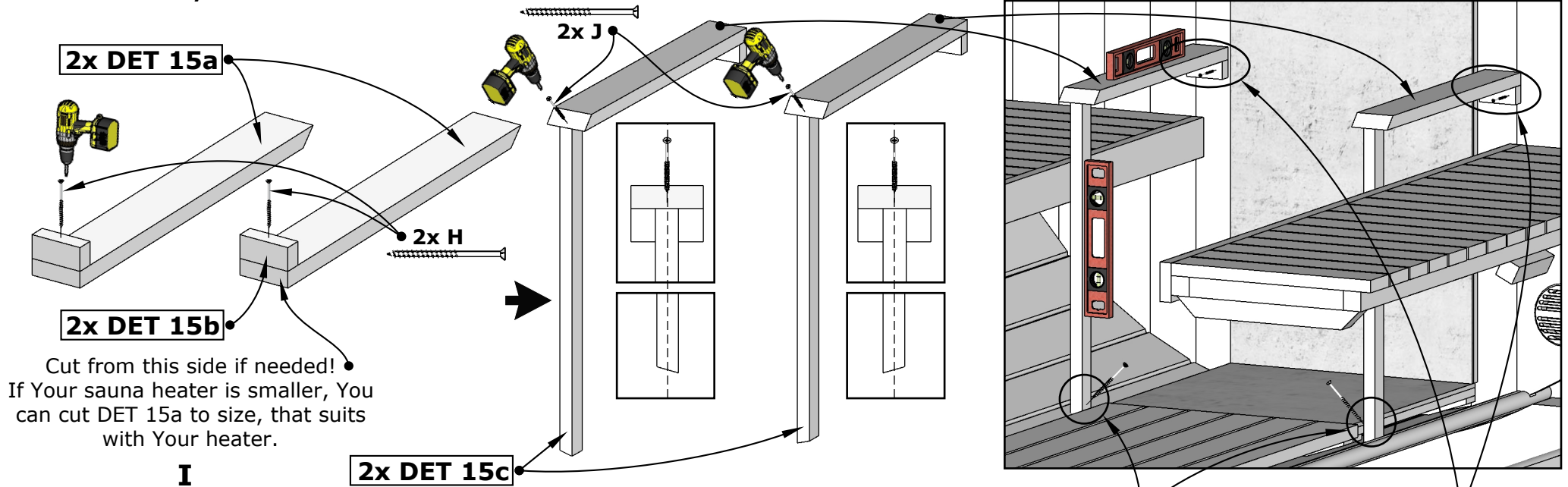


IV

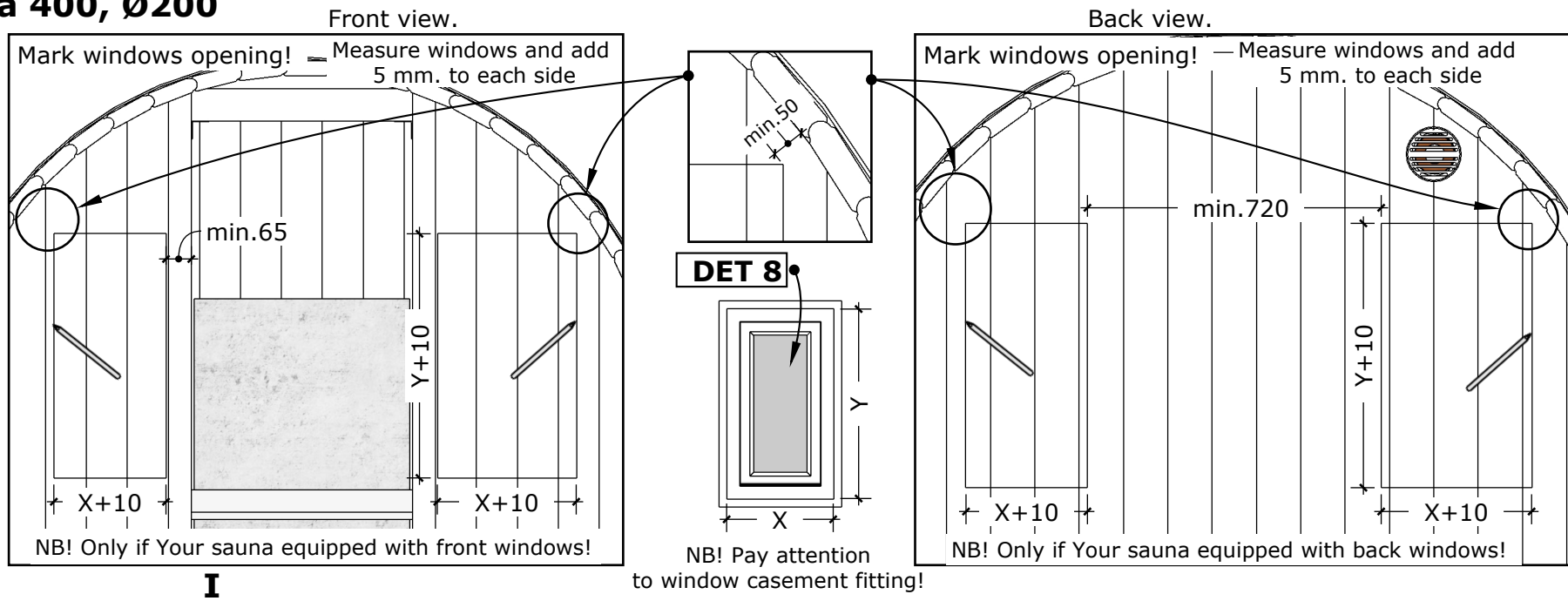




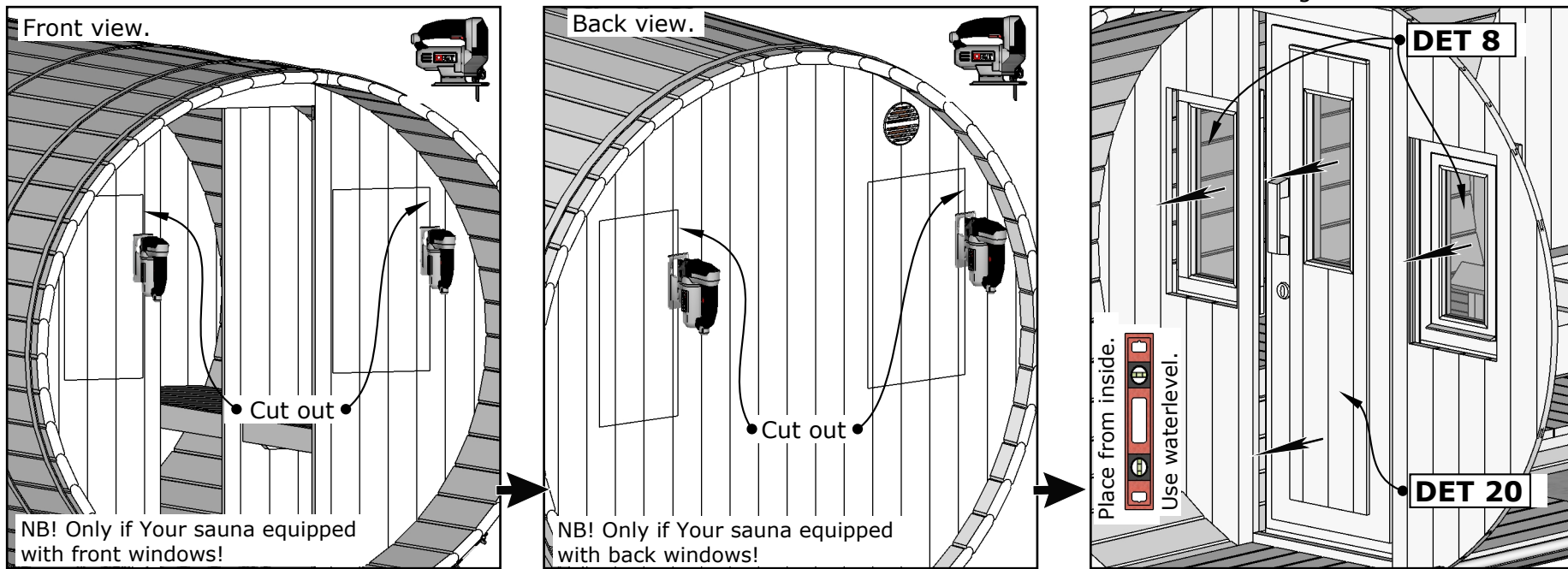
# Sauna 400, Ø200



# Sauna 400, Ø200

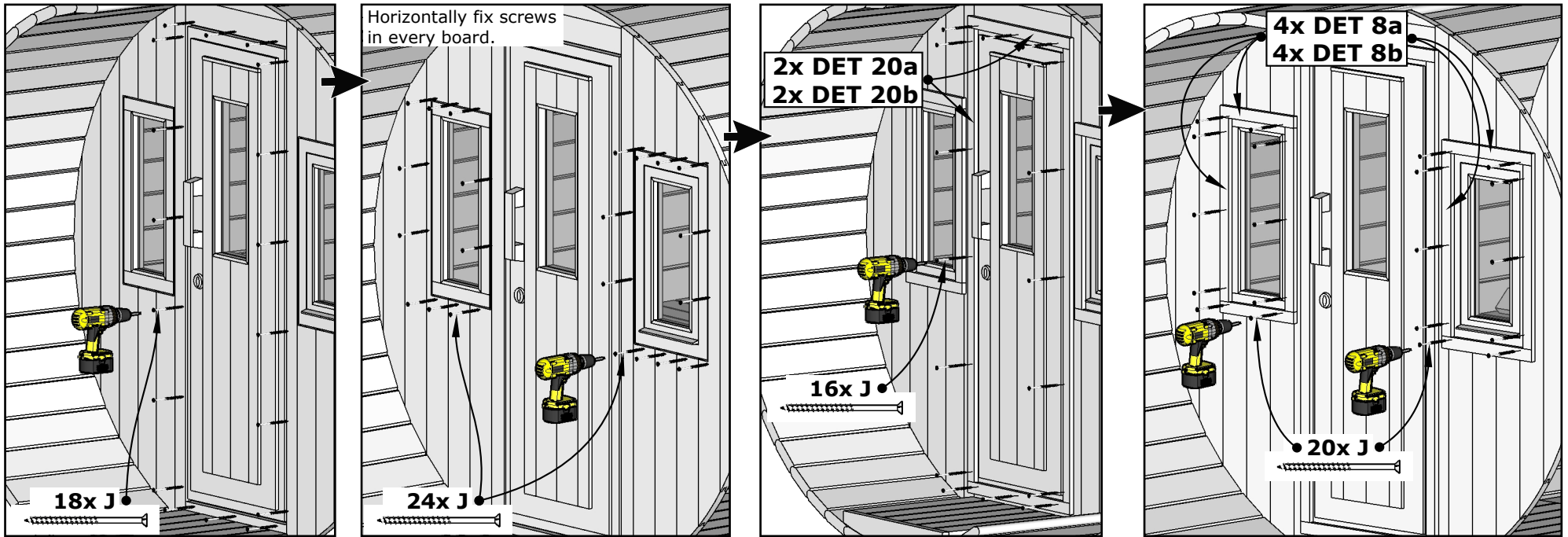


**I**

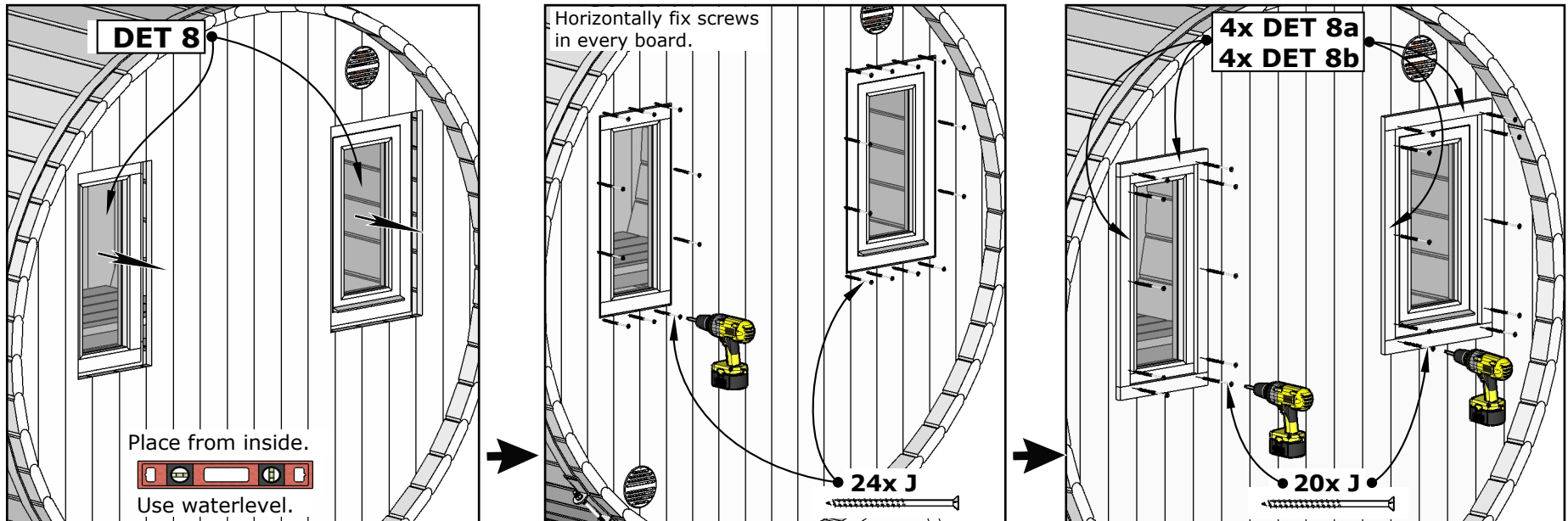


**II**

# Sauna 400, Ø200



**I**

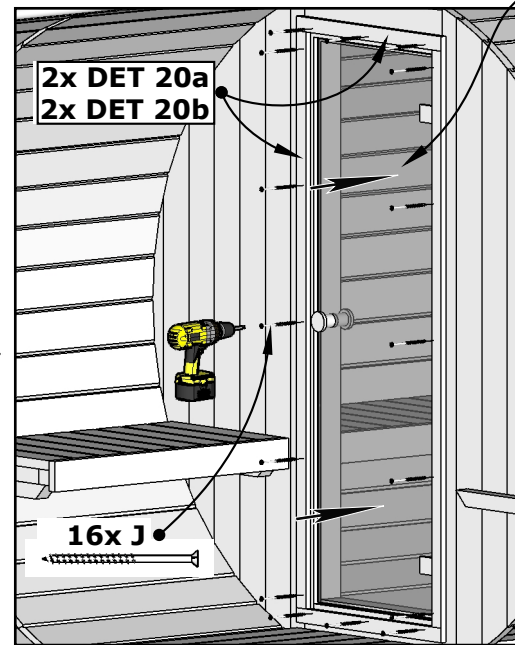
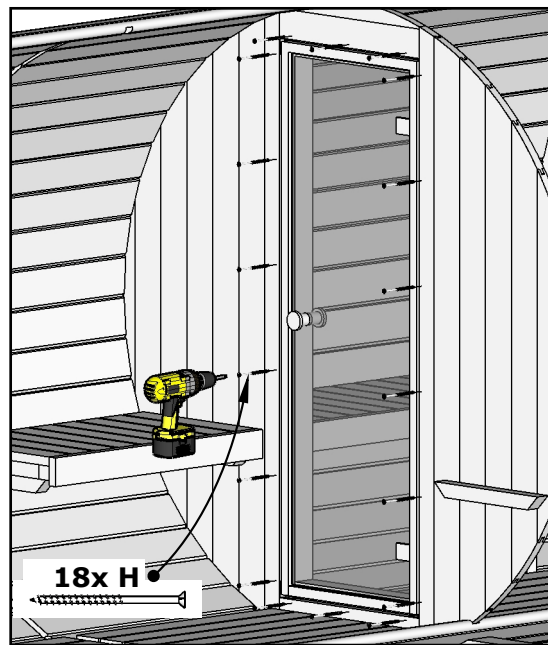
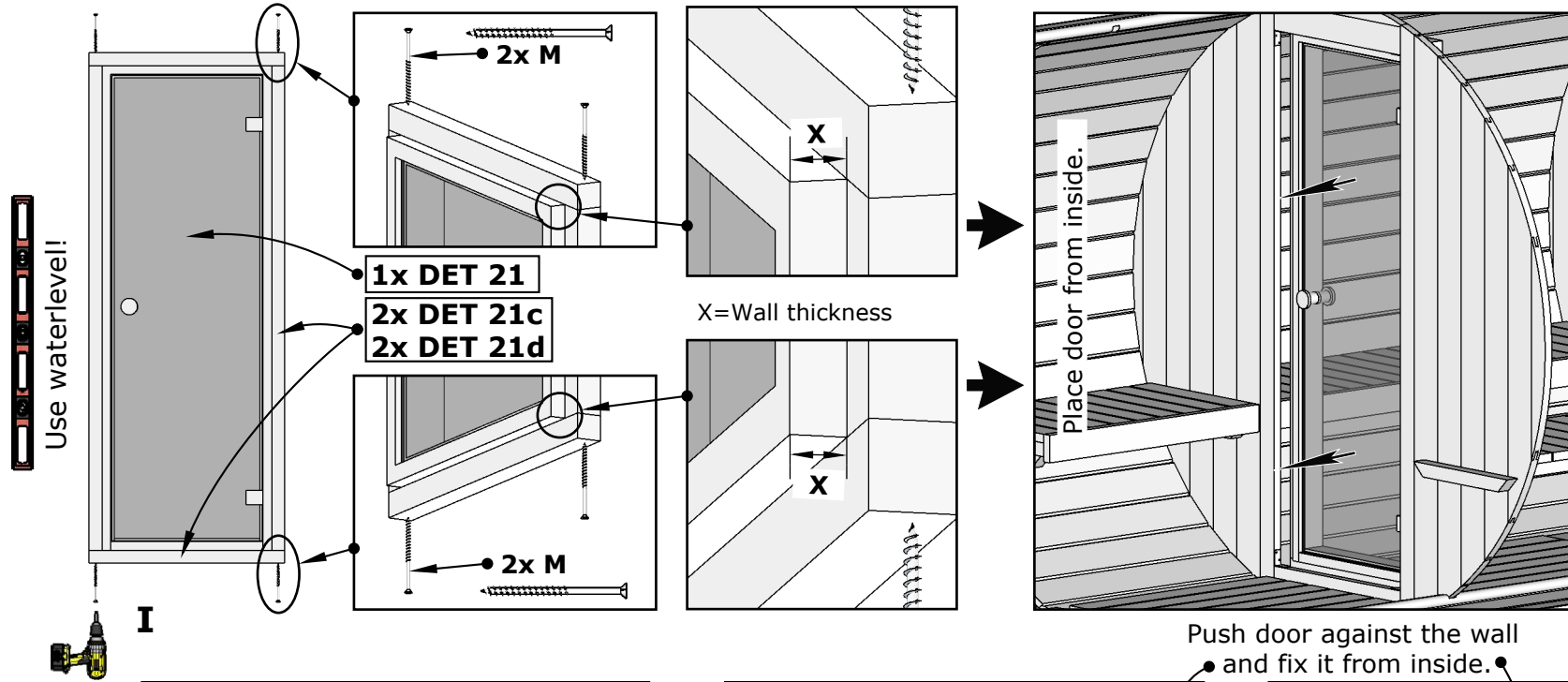


**II**

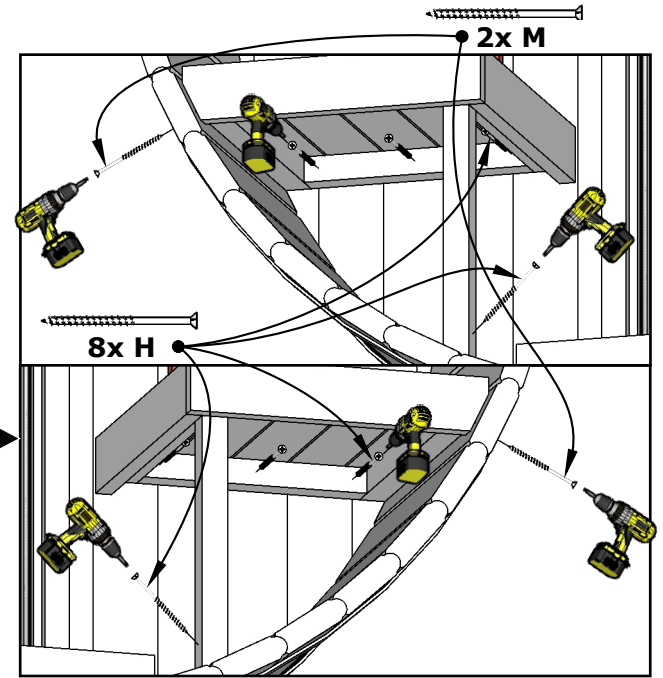
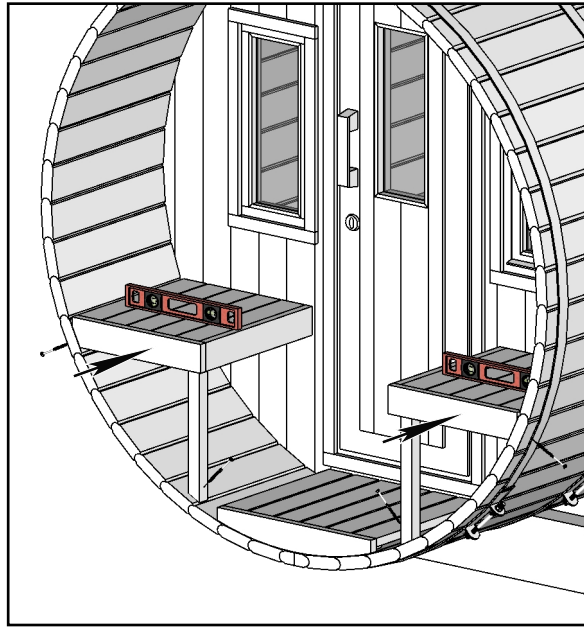
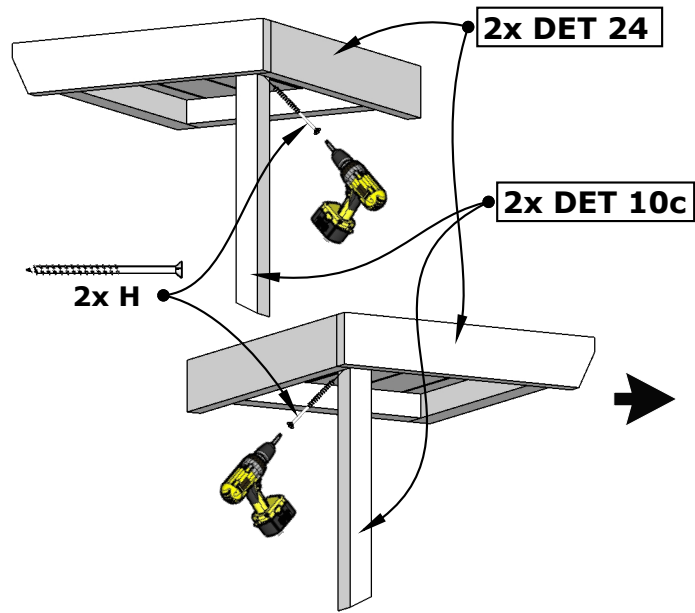
**13.**

(I20-PES-PES-PTS-016)

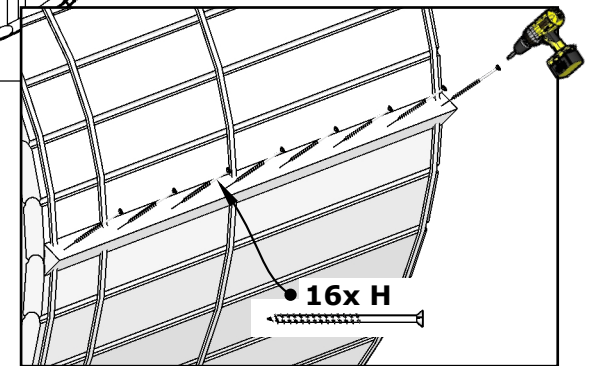
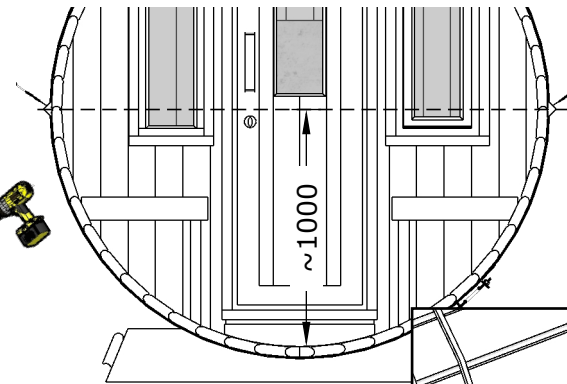
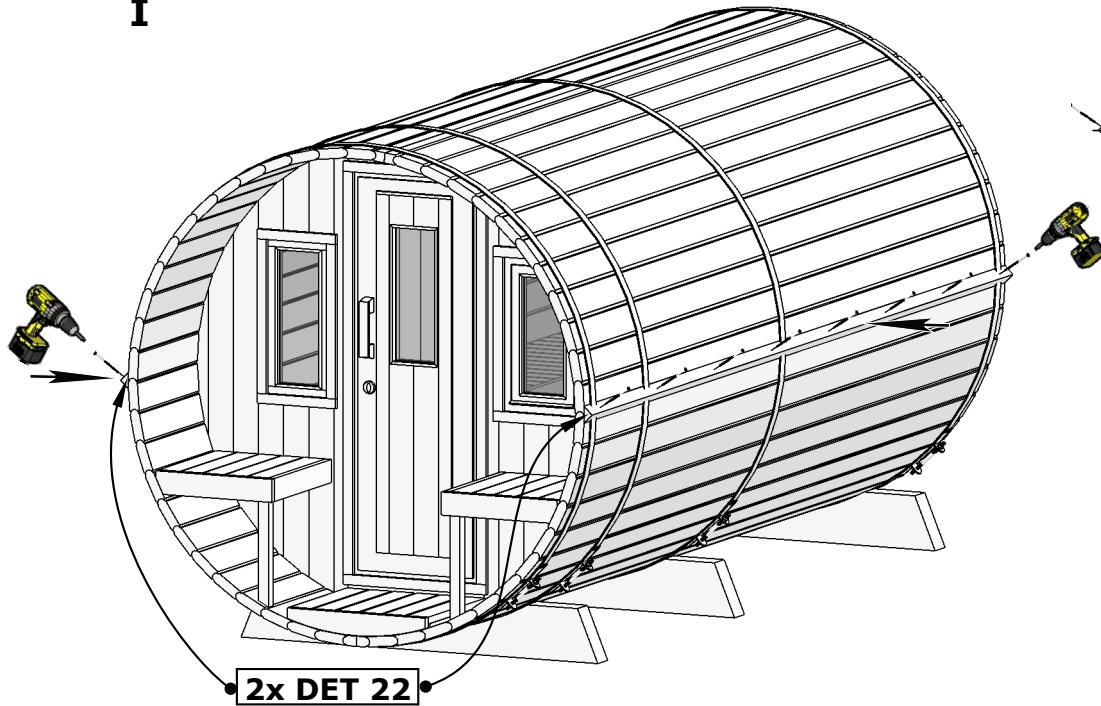
# Sauna 400, Ø200



# Sauna 400, Ø200

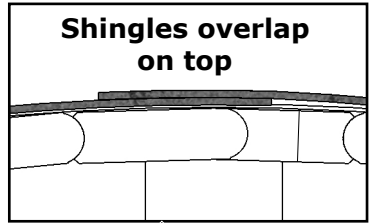
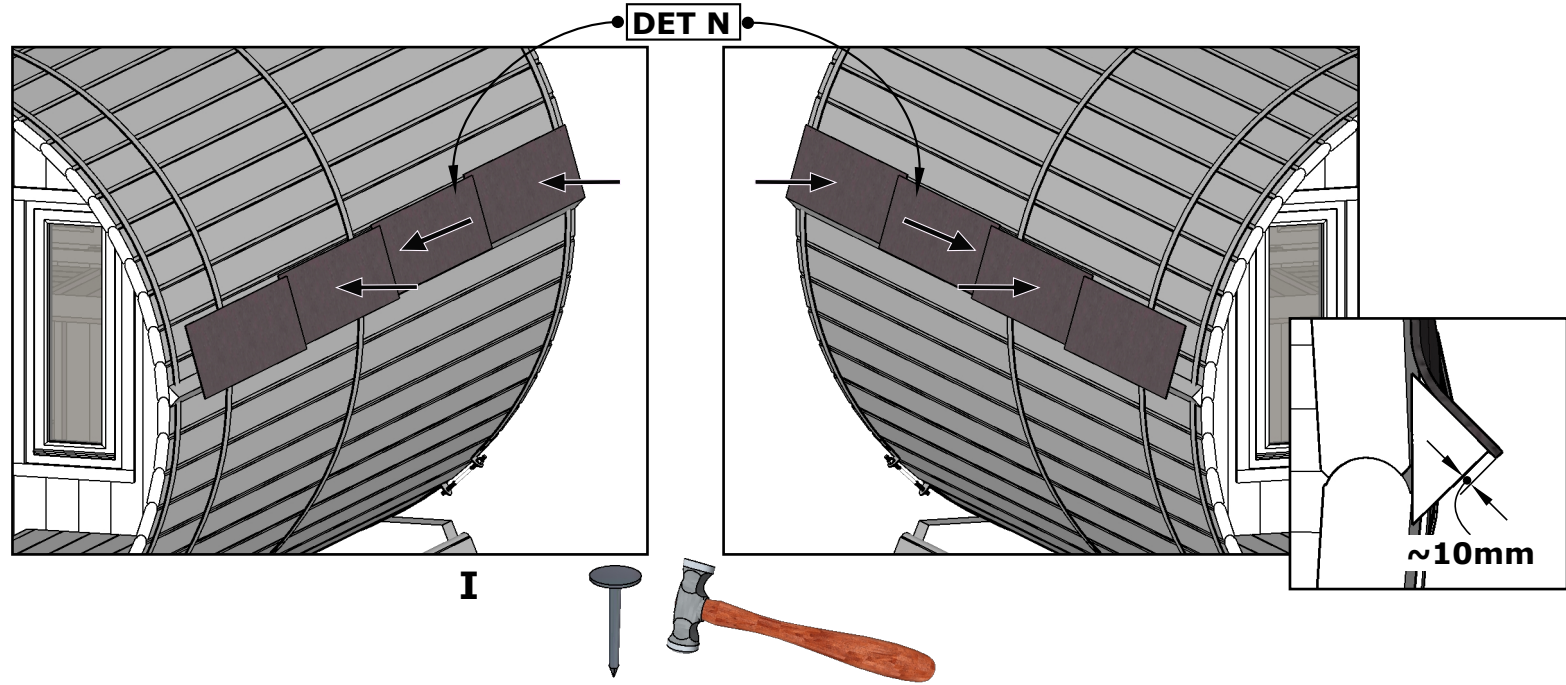


I

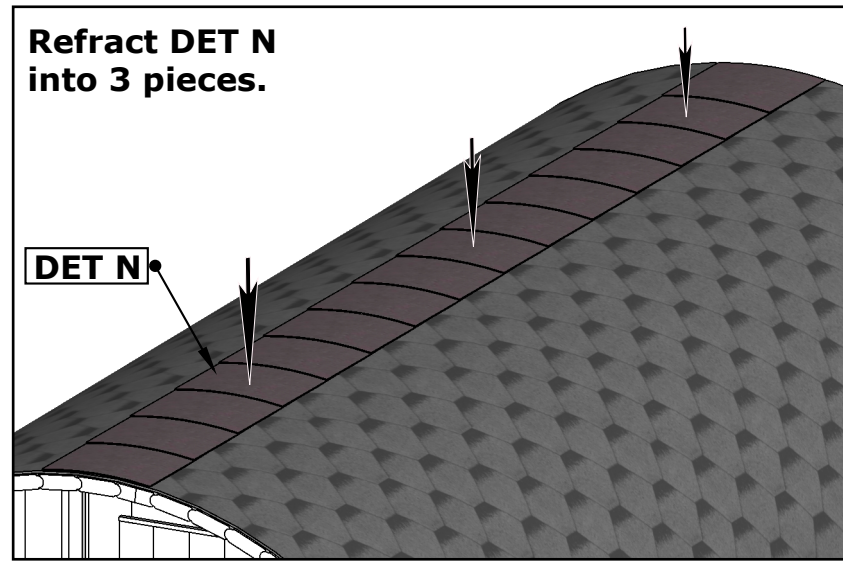
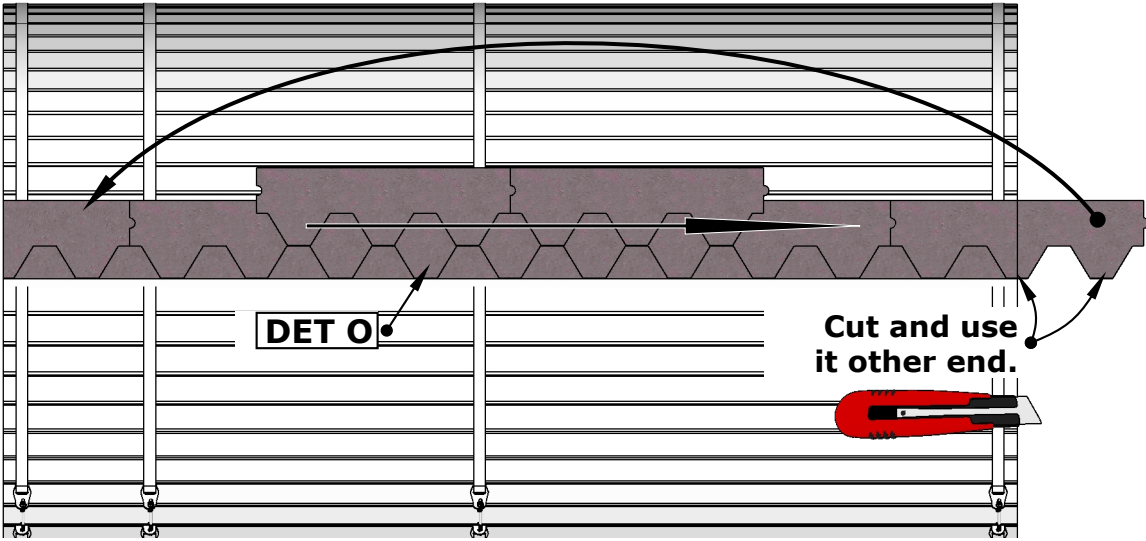


# Sauna 400, Ø200

**NB! Check also shingles installation manual inside shingles package.**



**Check also roof shingles installation manual inside package.**



Sauna 400, Ø200

