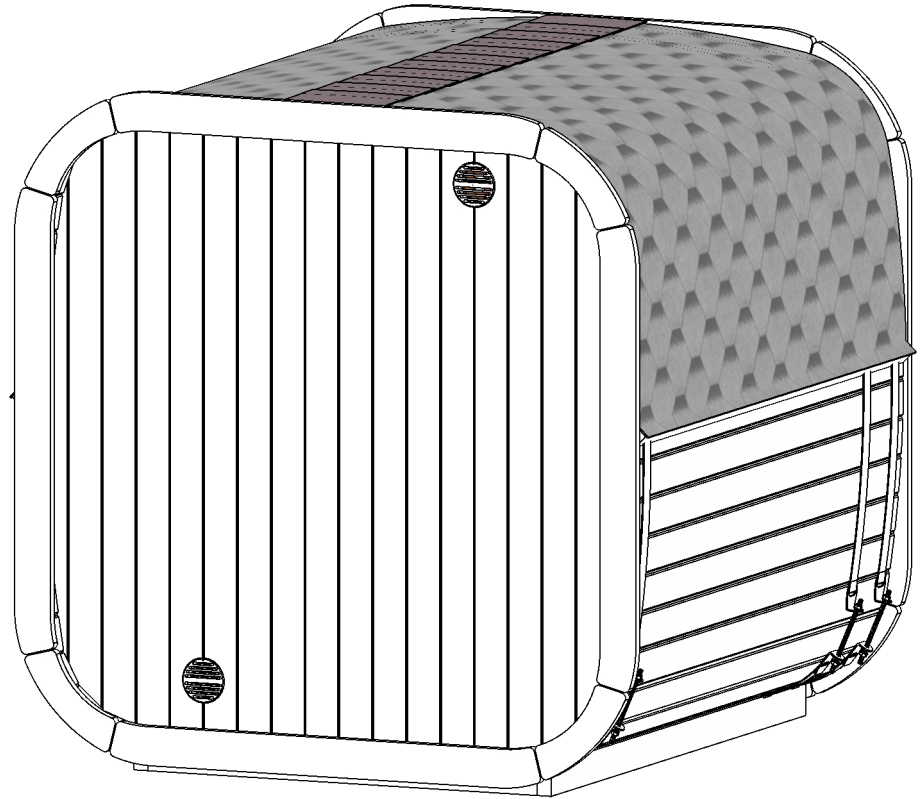
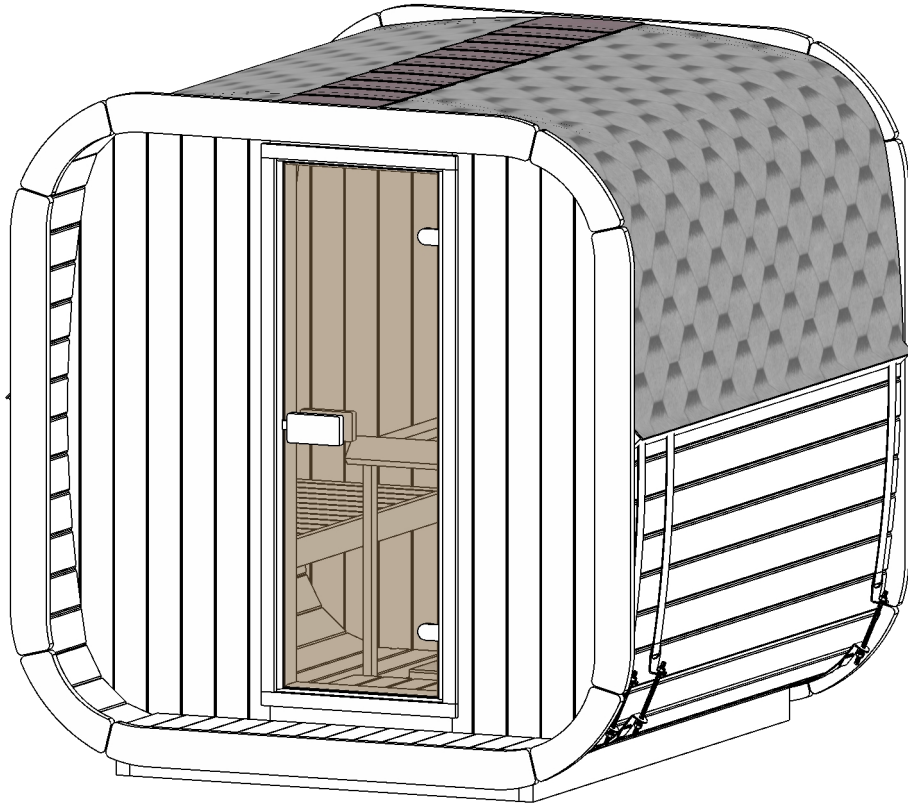


Sauna "Icon" 200,Ø200

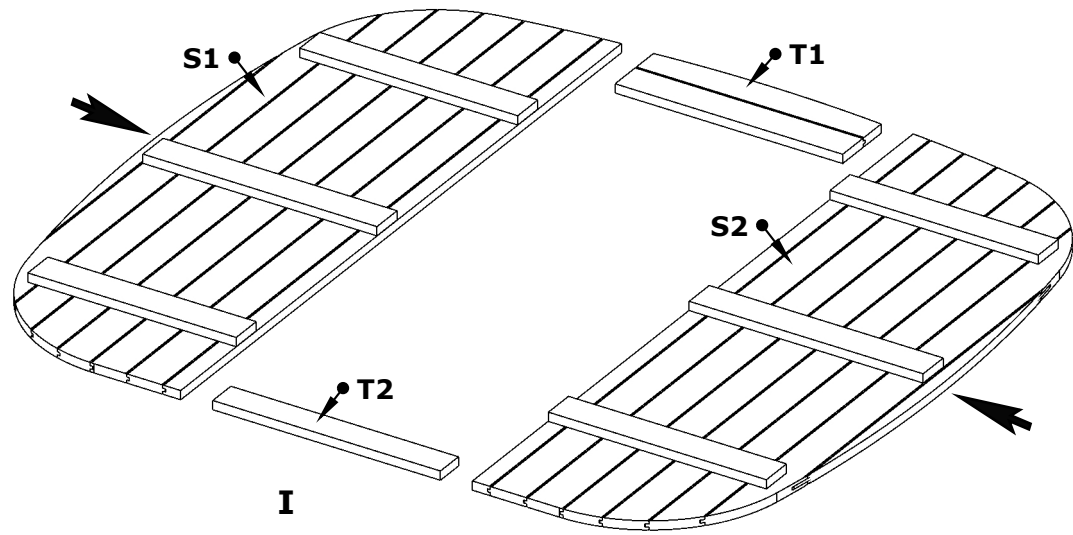
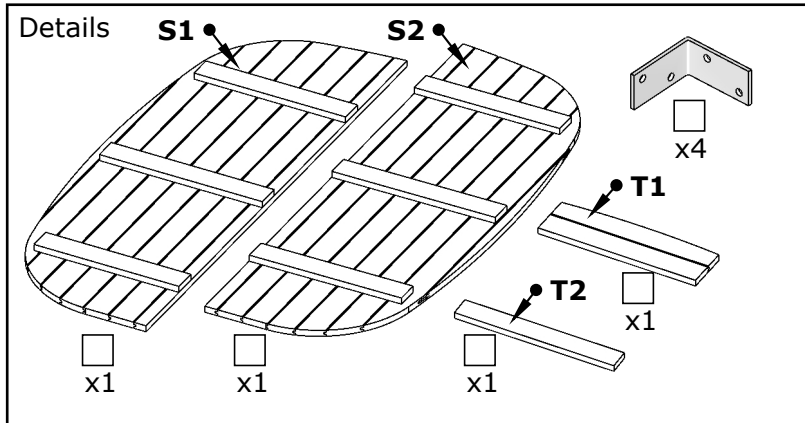
**NB! Please read whole manual
before start.**

**All given measurements
are in millimeters!**



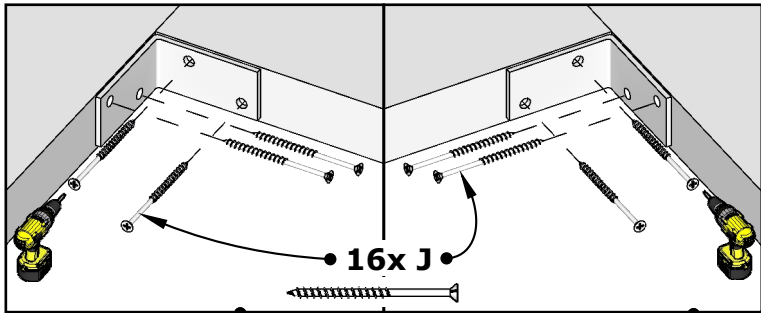
(ICO-20-PES-PTS-002)

Icon Ø200 Wooden front wall assembly

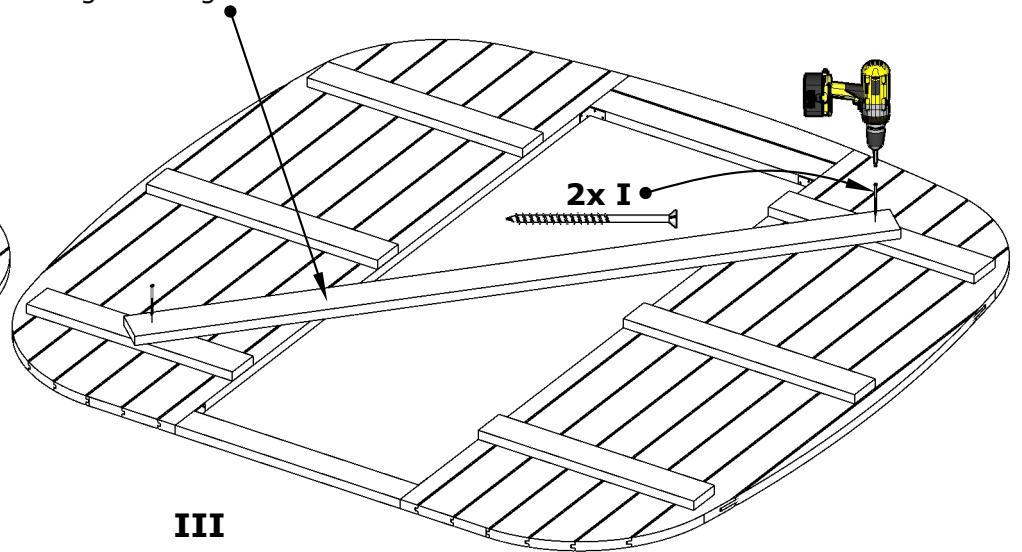


I

Cut board from pallet L= \sim 1930mm.
Fix it diagonally to make wall
more rigid during the installation.



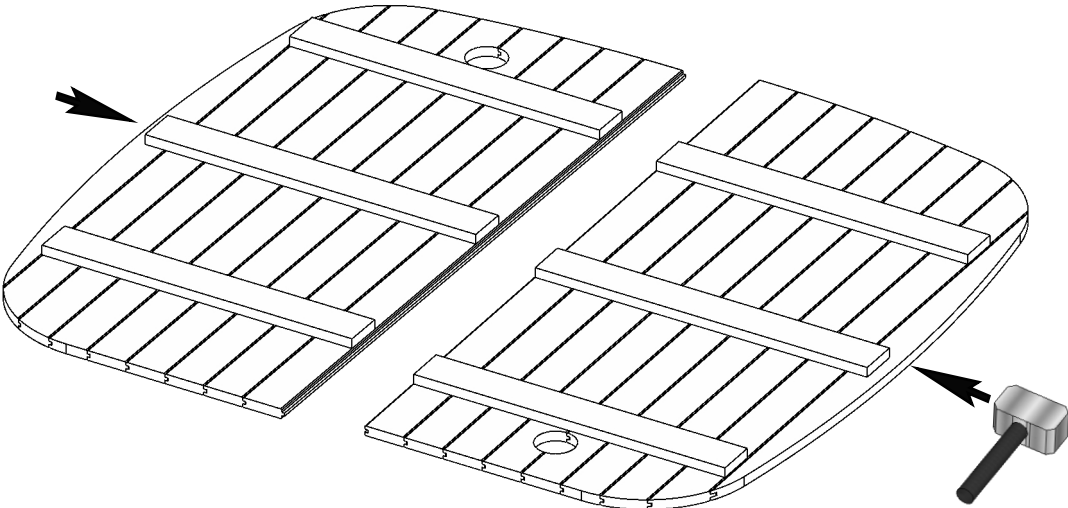
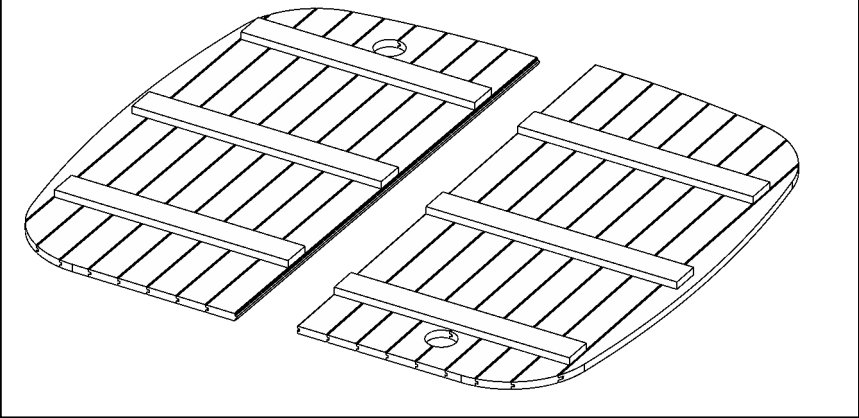
II



III

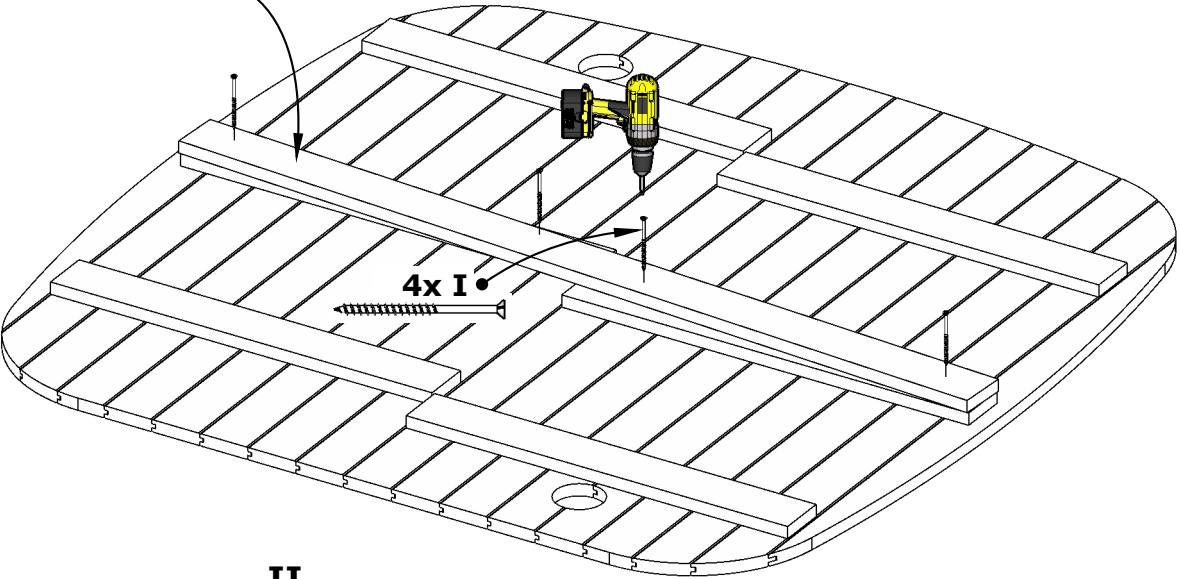
Icon Ø200 Wooden back wall assembly

Details



I

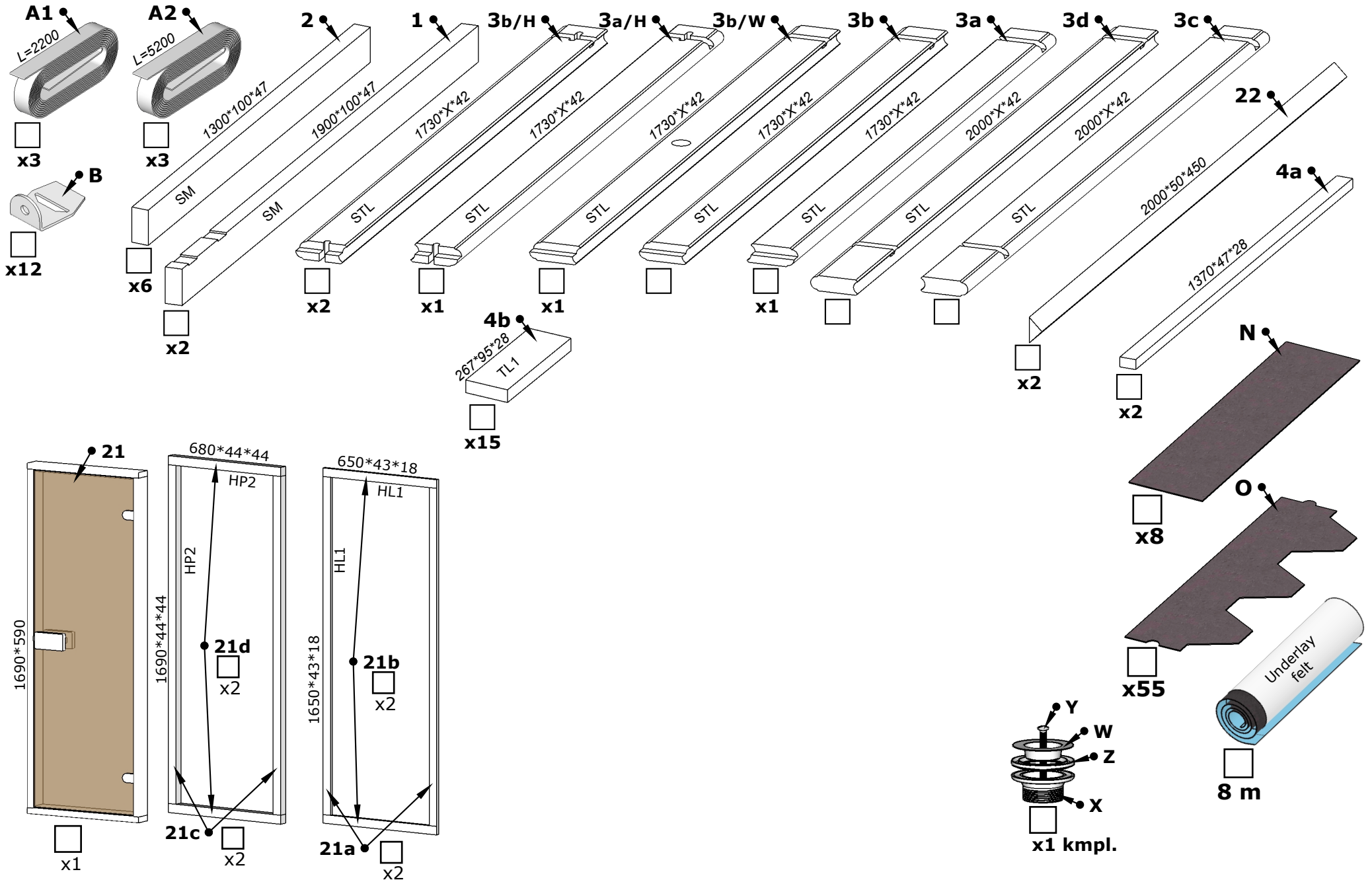
Cut board from pallet
L≈1930 mm.



II

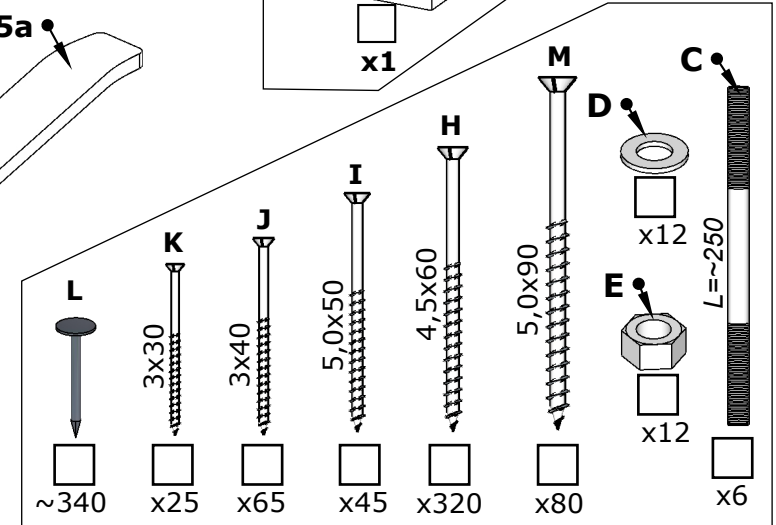
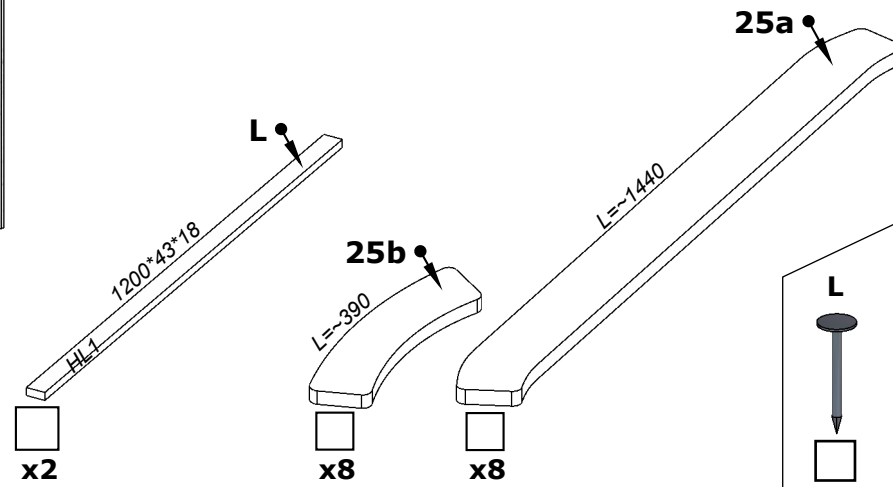
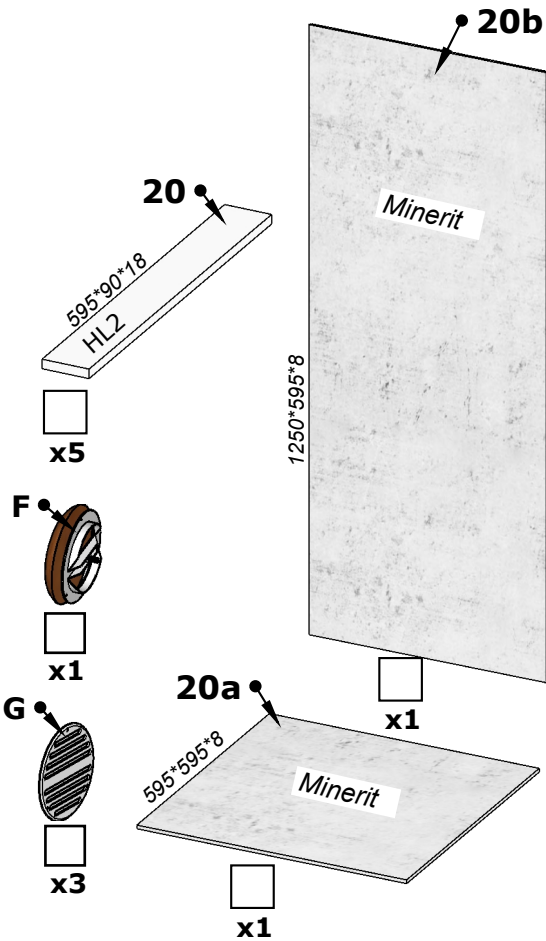
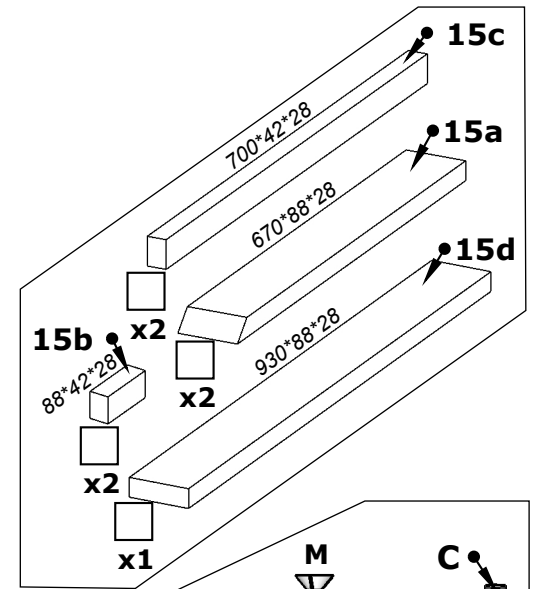
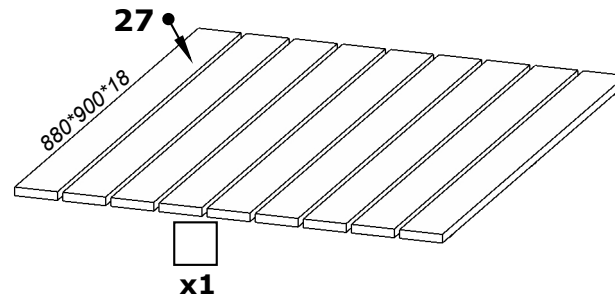
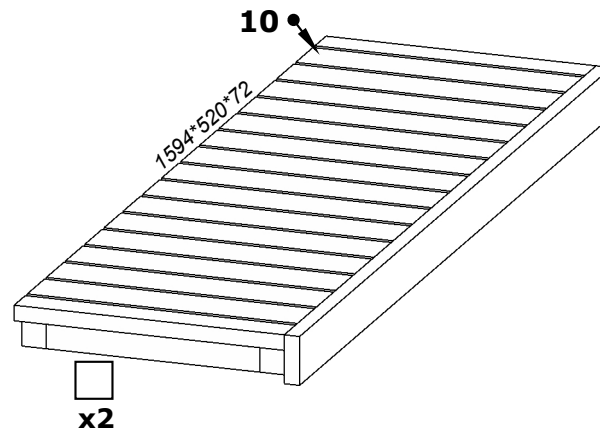
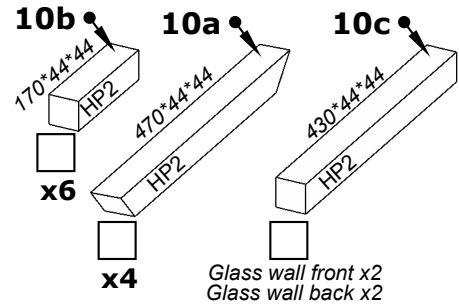
Sauna "Icon" 200, Ø200

Details list 1.



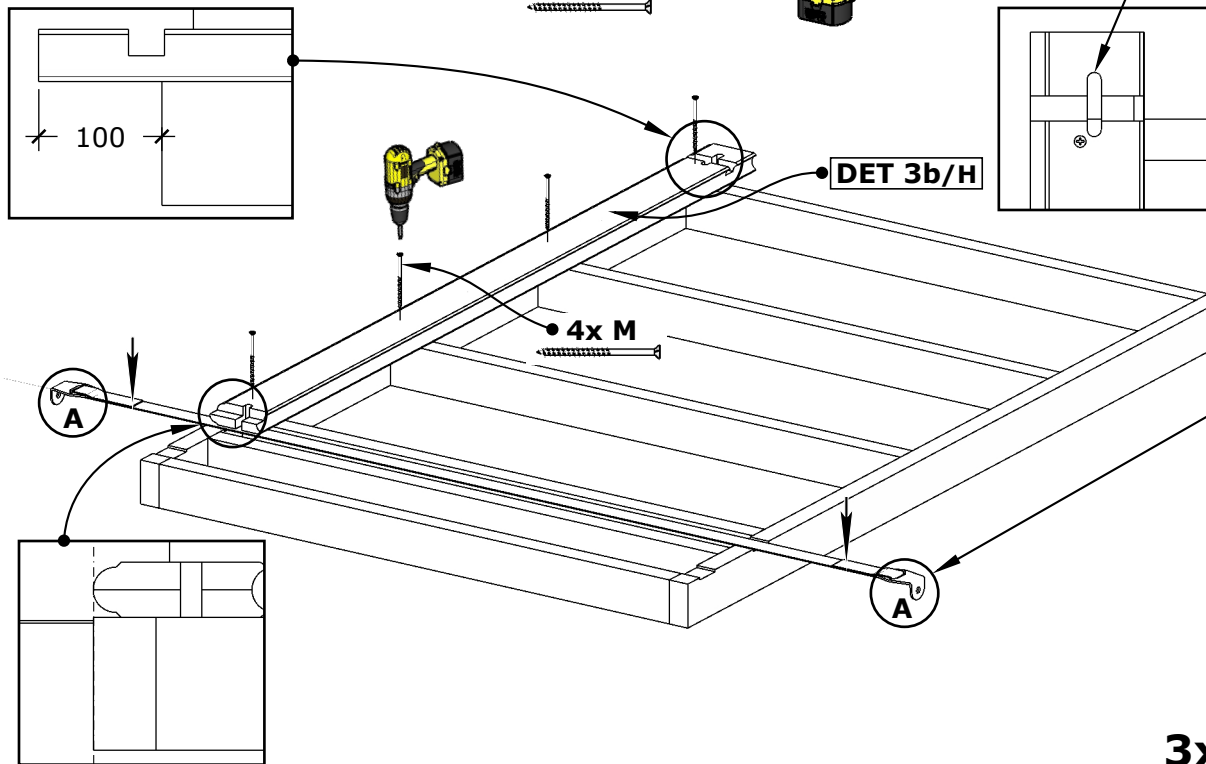
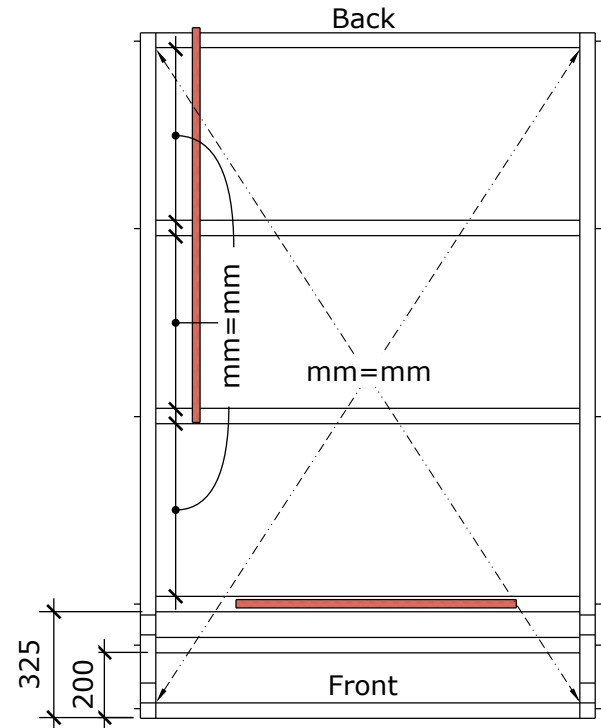
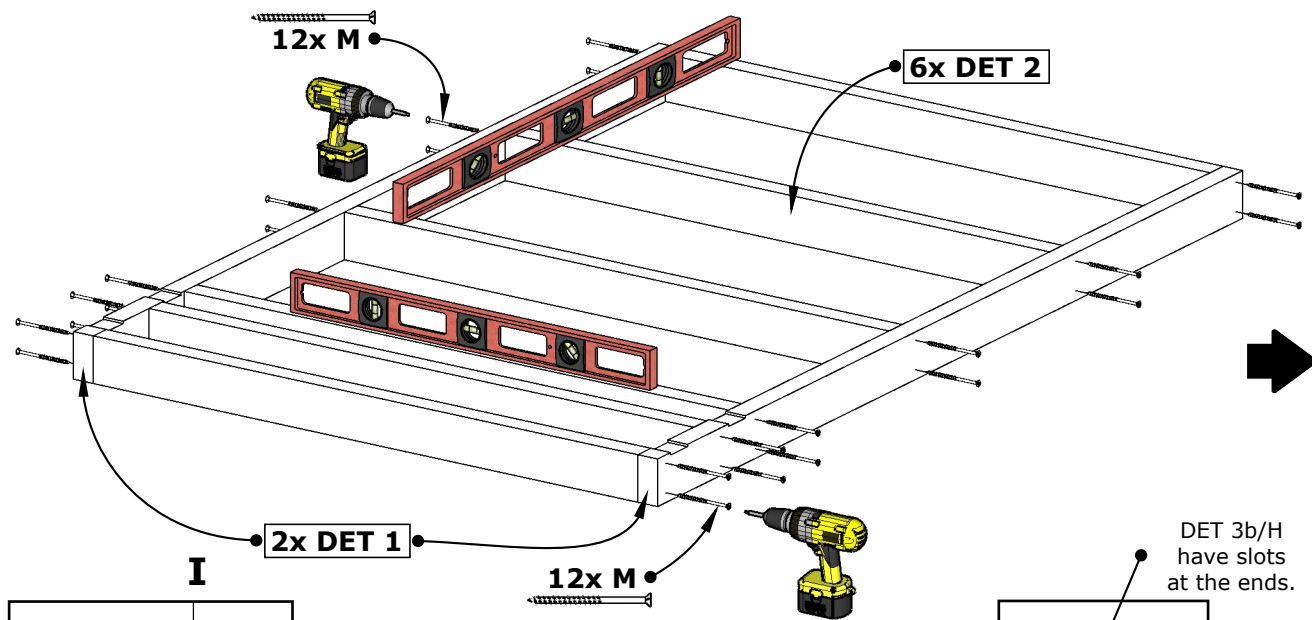
Sauna "Icon" 200, Ø200

Details list 2.

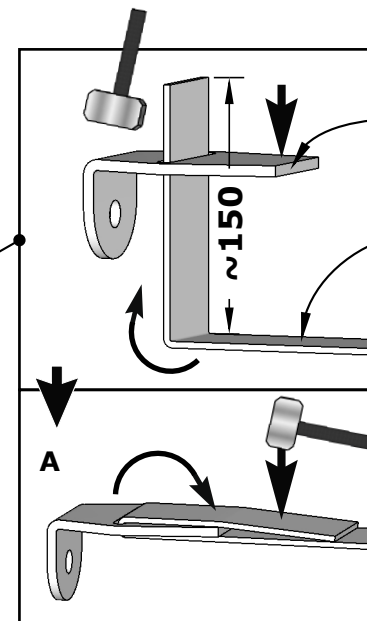


(ICO-20-PES-PTS-002)

Sauna "Icon" 200,Ø200



DET 3b/H have slots at the ends.

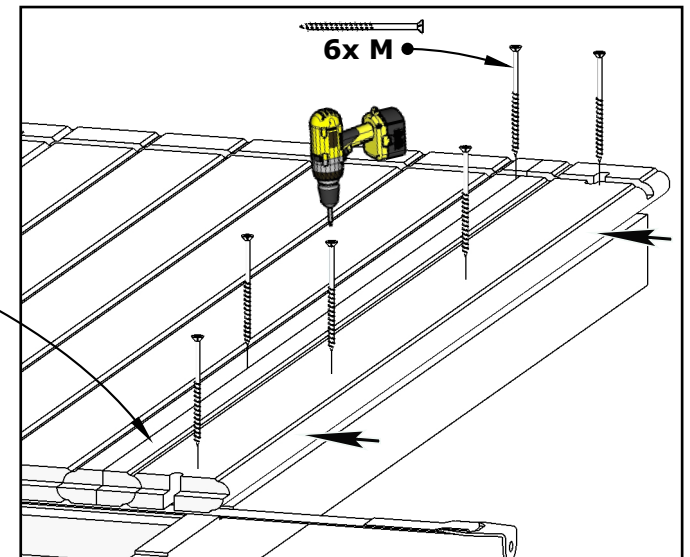
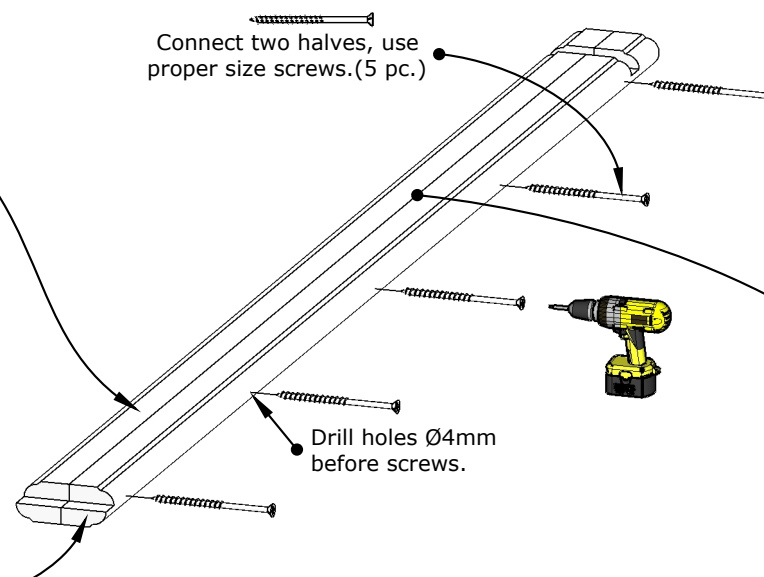
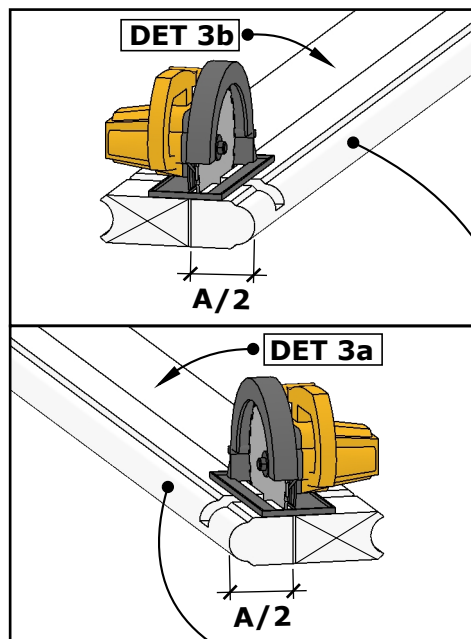
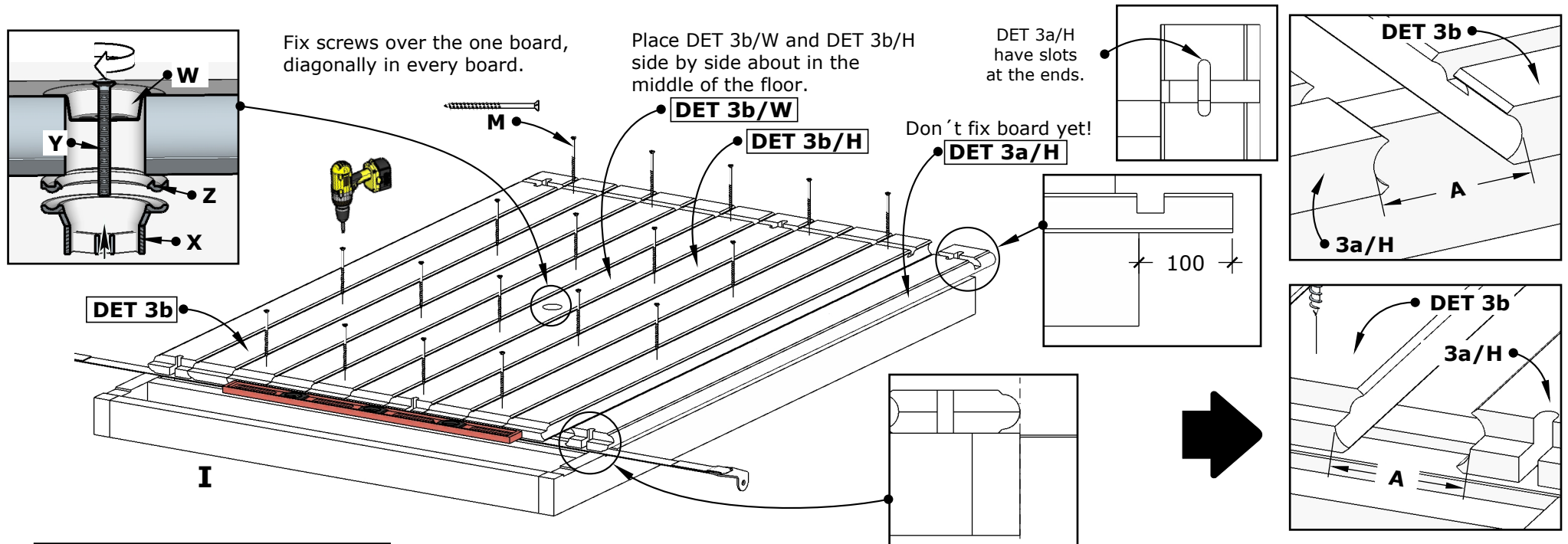


Make all 3 sets, rest of them You will need later.

1. II

(ICO-20-PES-PTS-002)

Sauna "Icon" 200,Ø200



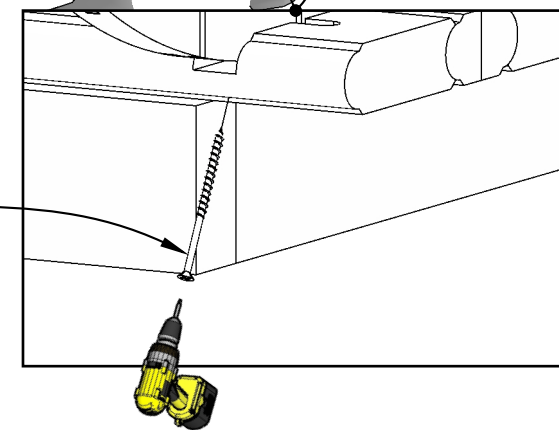
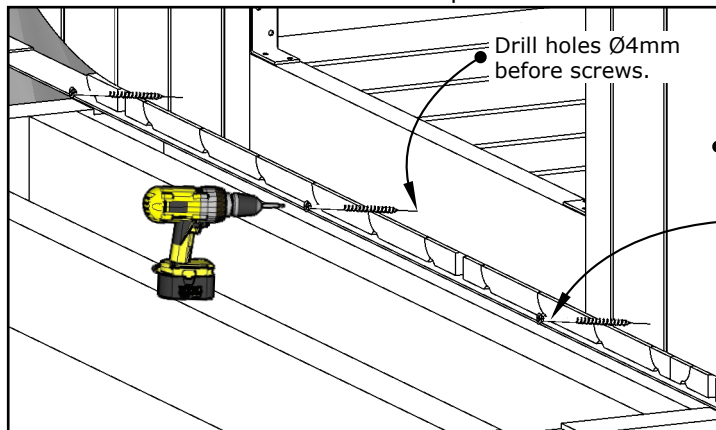
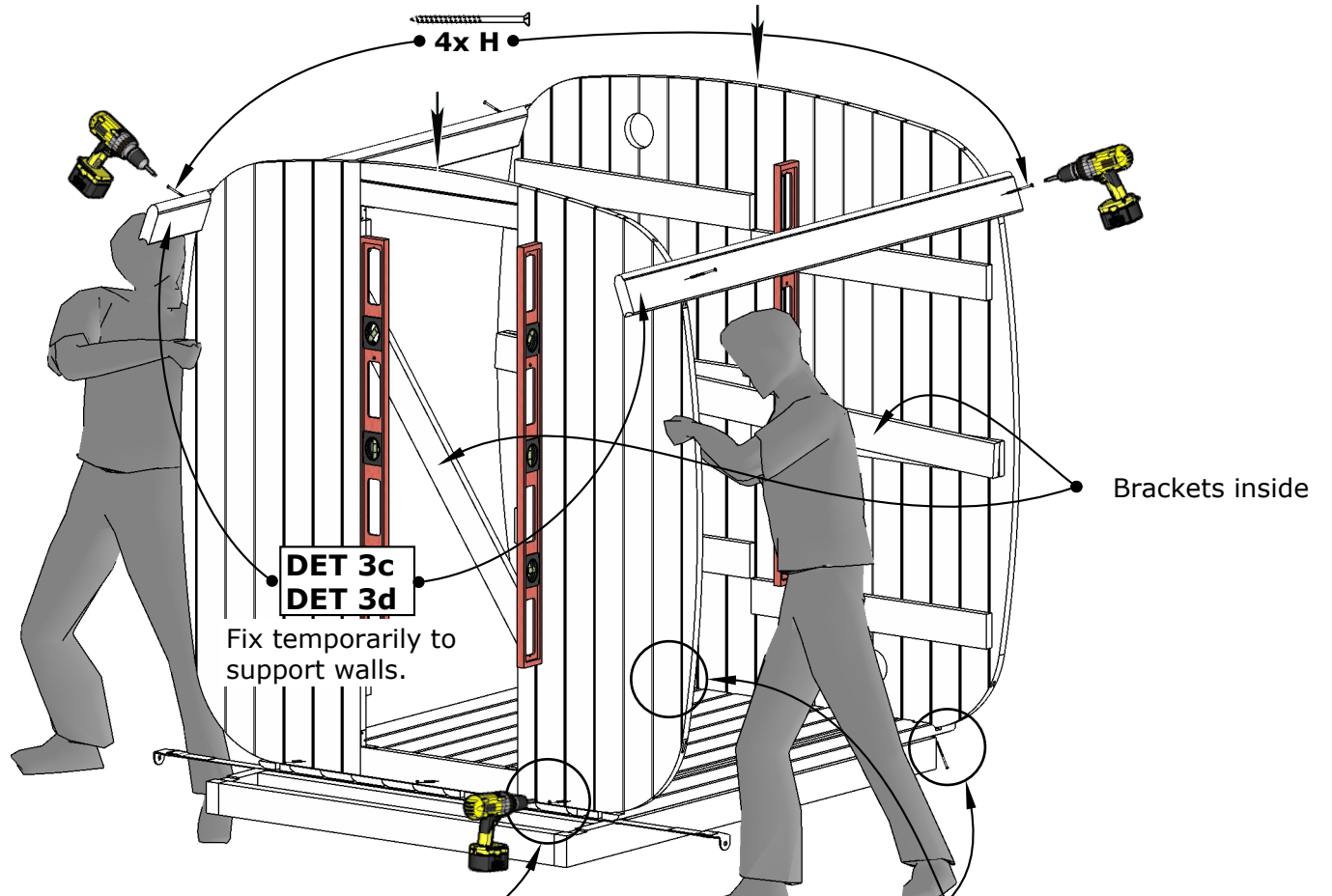
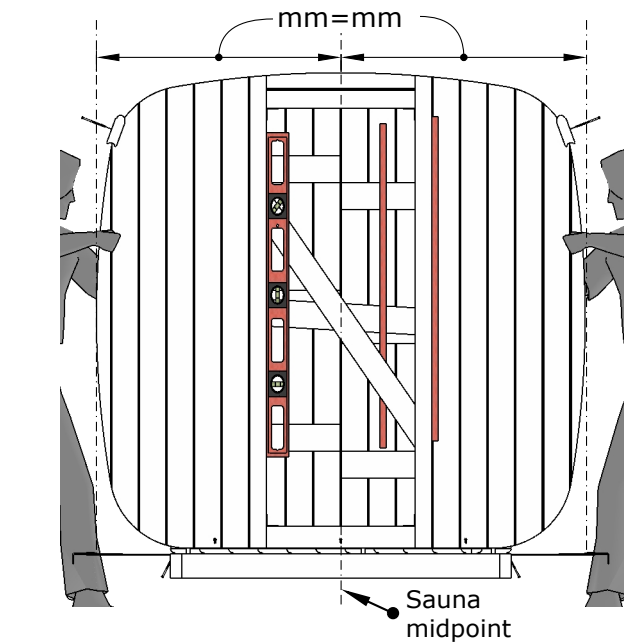
Sauna "Icon" 200,Ø200

Use waterlevel

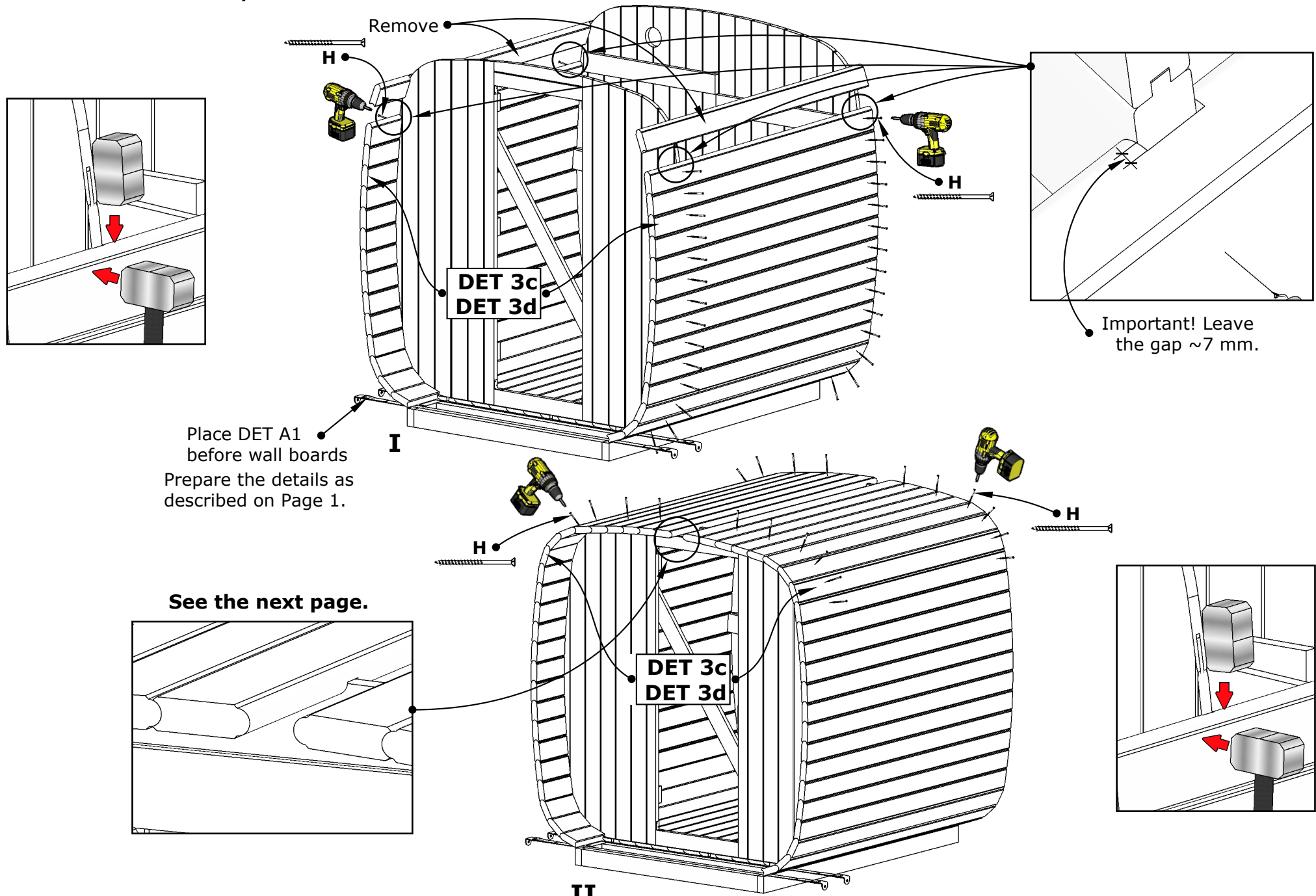


Check walls installation manual on extra pages!

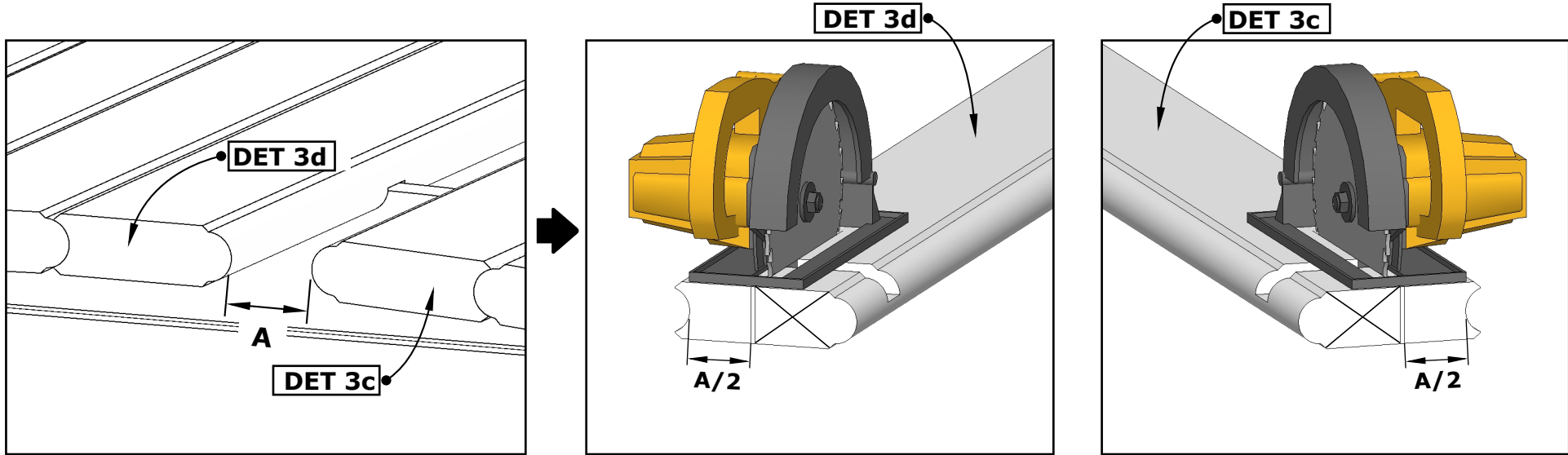
Sauna wall configuration depends on Your model!



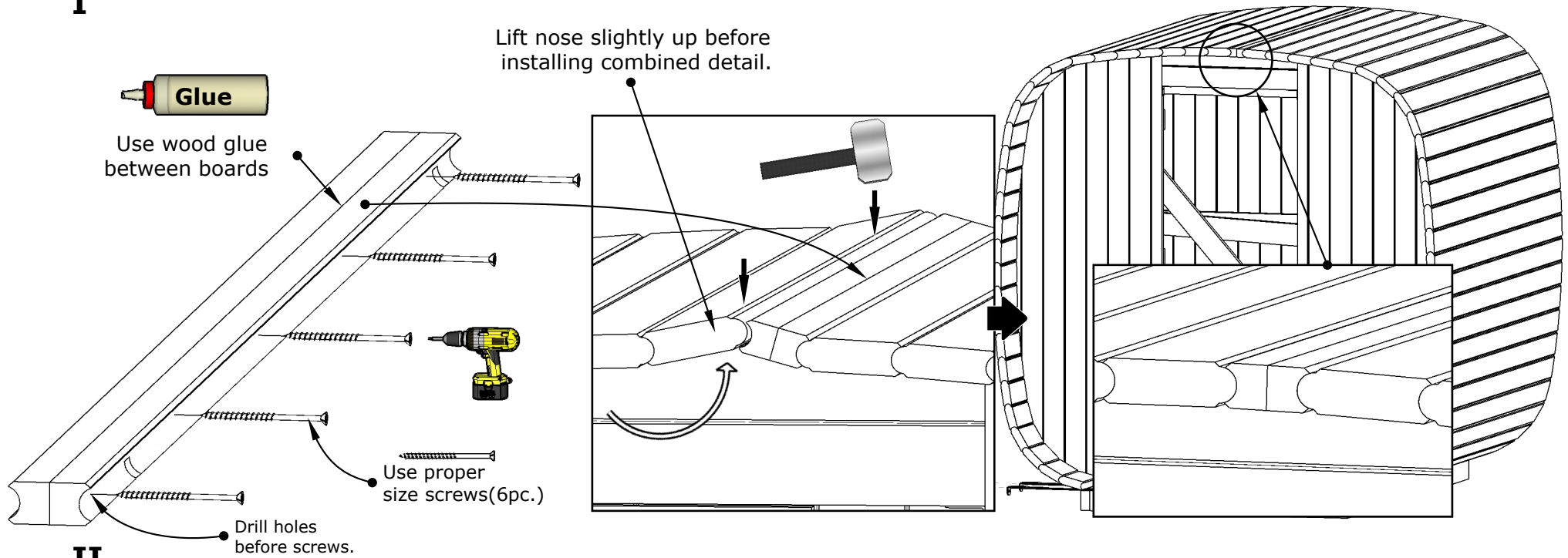
Sauna "Icon" 200,Ø200



Sauna "Icon" 200,Ø200



I

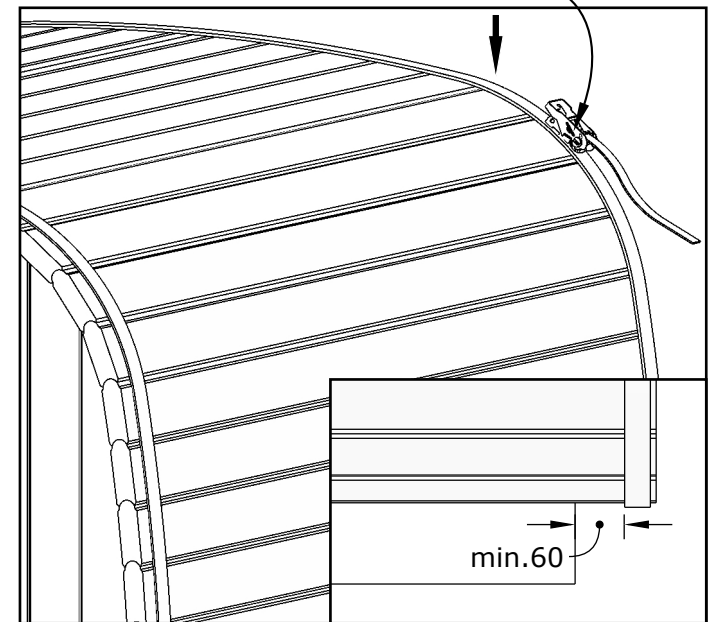
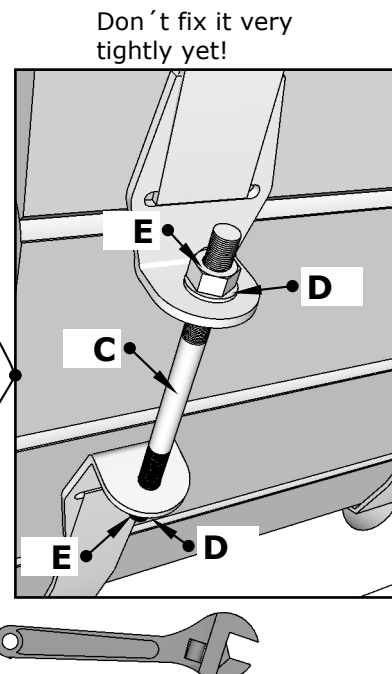
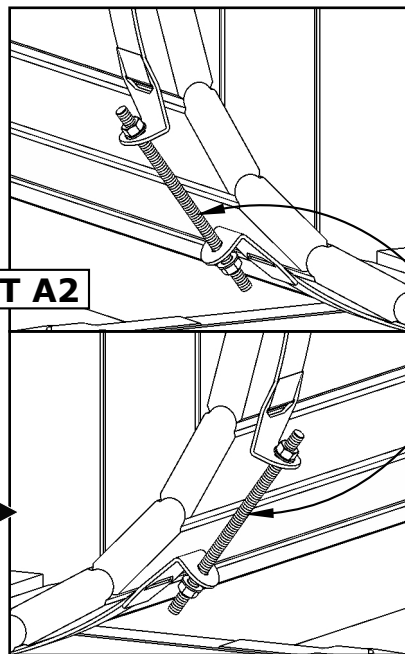
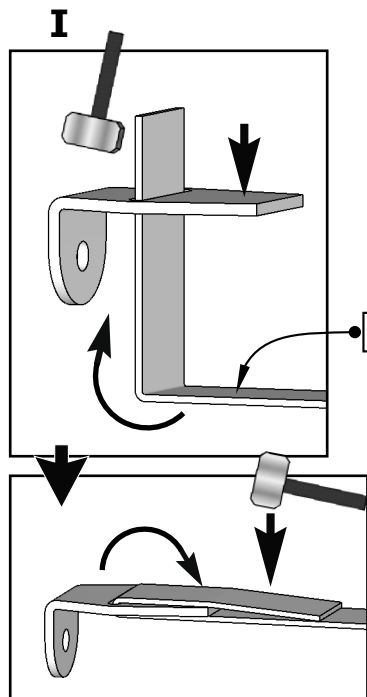
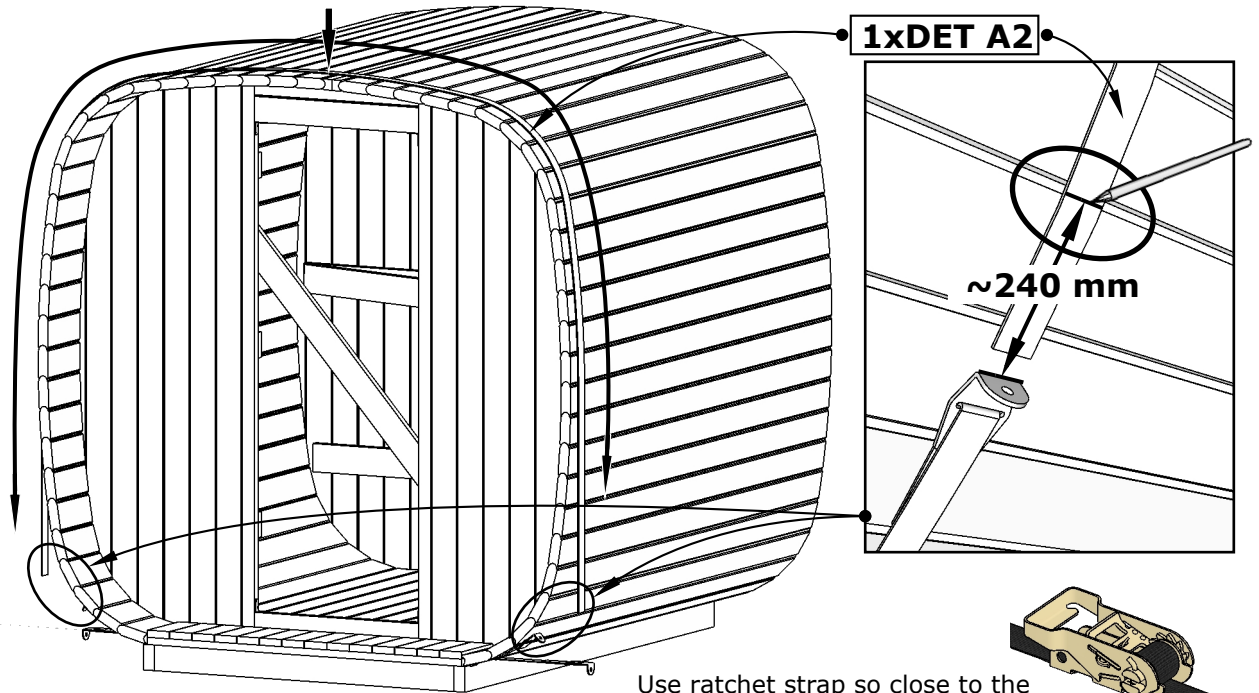
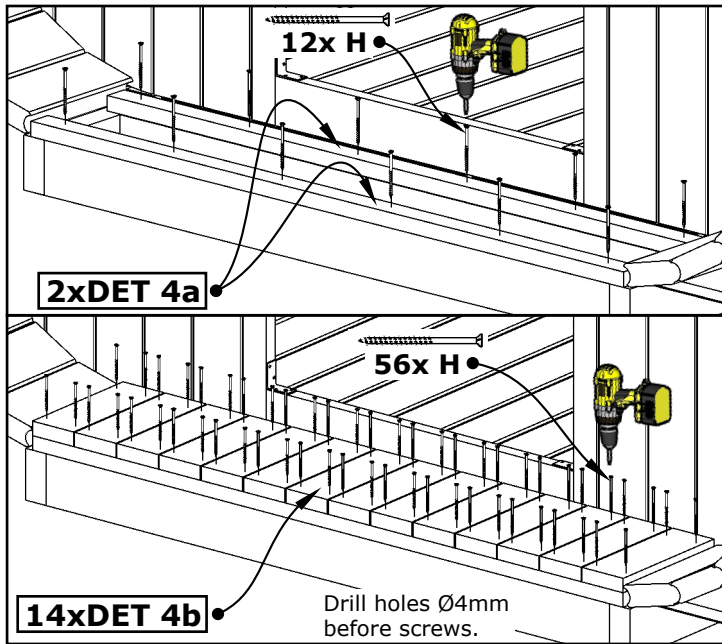


II

5.

(ICO-20-PES-PTS-002)

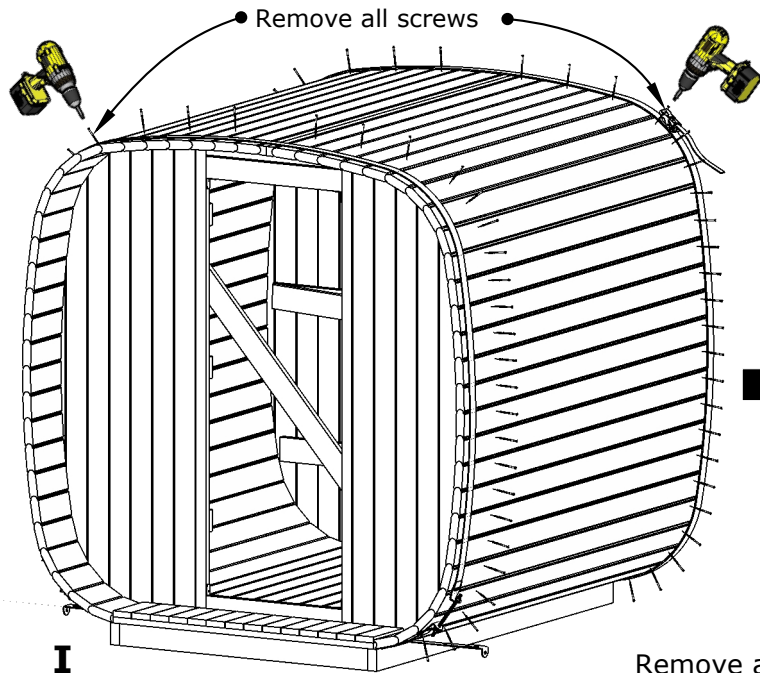
Sauna "Icon" 200,Ø200



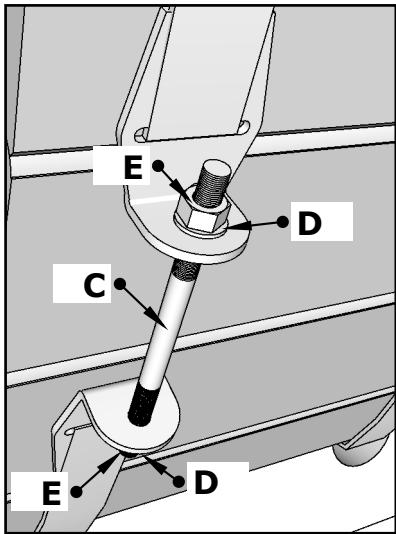
6. II

(ICO-20-PES-PTS-002)

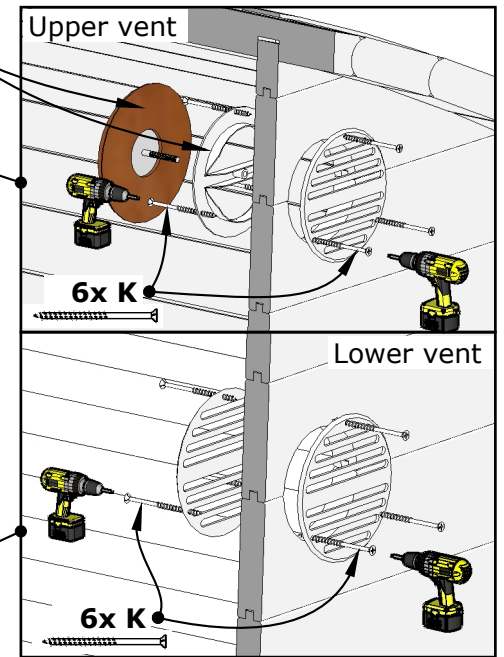
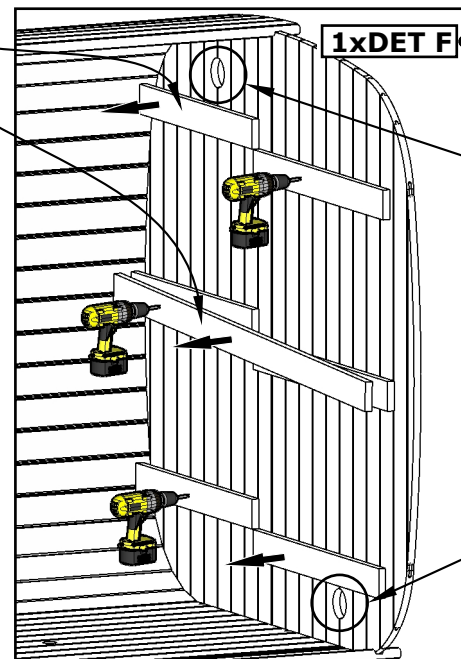
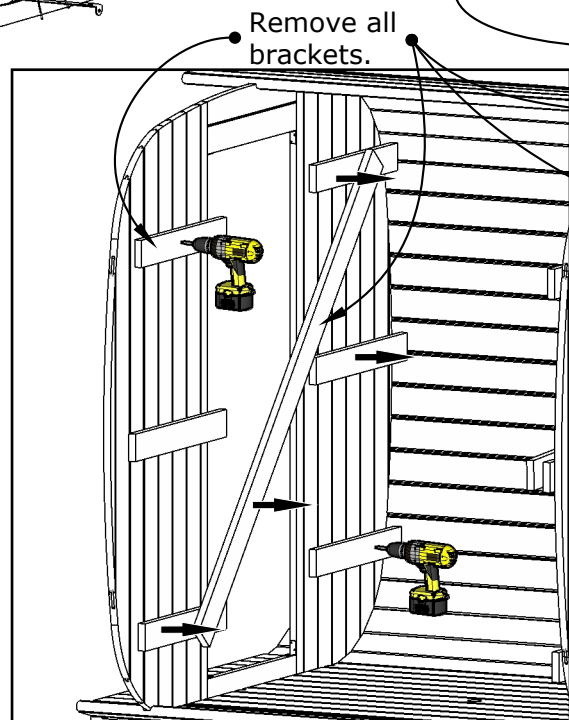
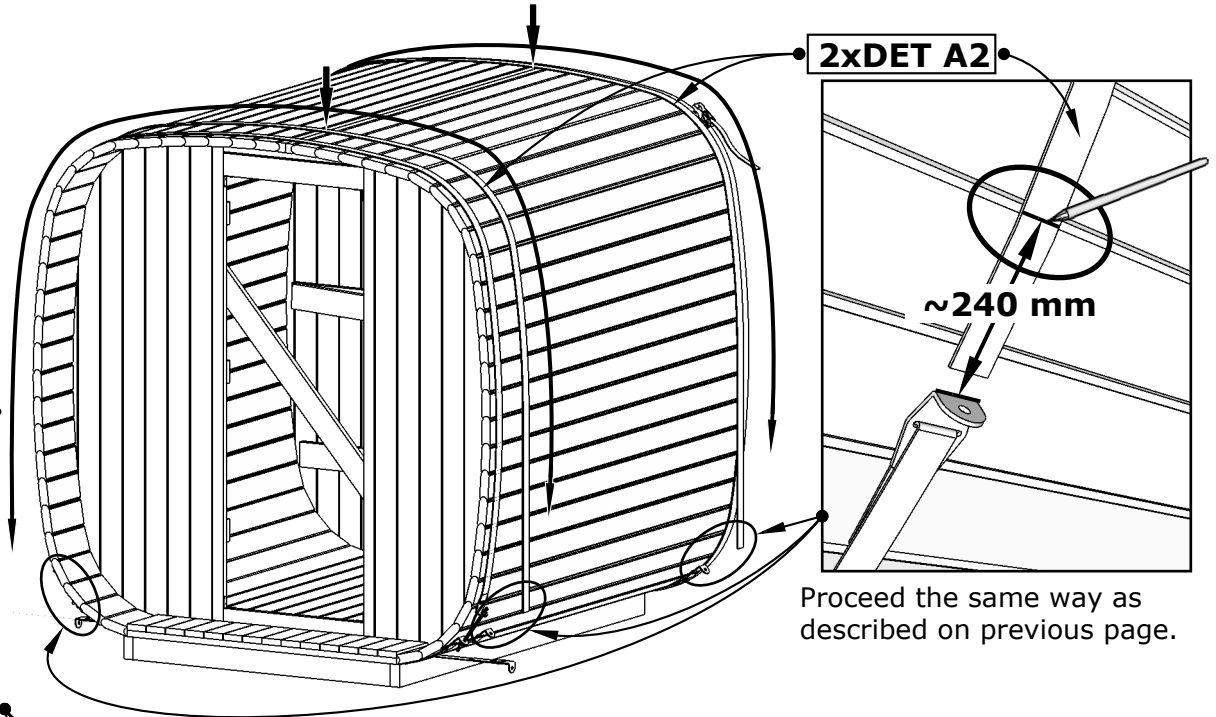
Sauna "Icon" 200,Ø200



Now fix all nuts tightly!
Remove ratchet strap!



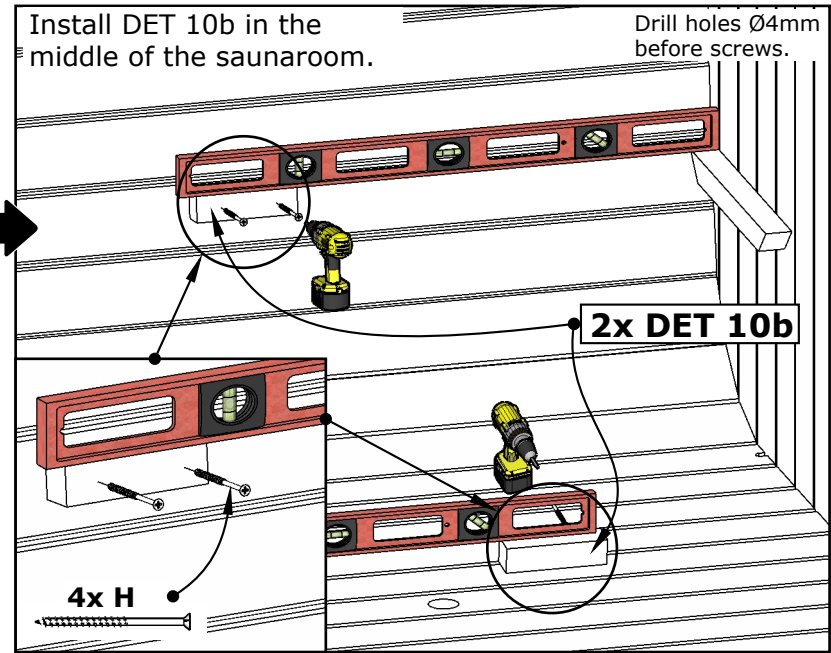
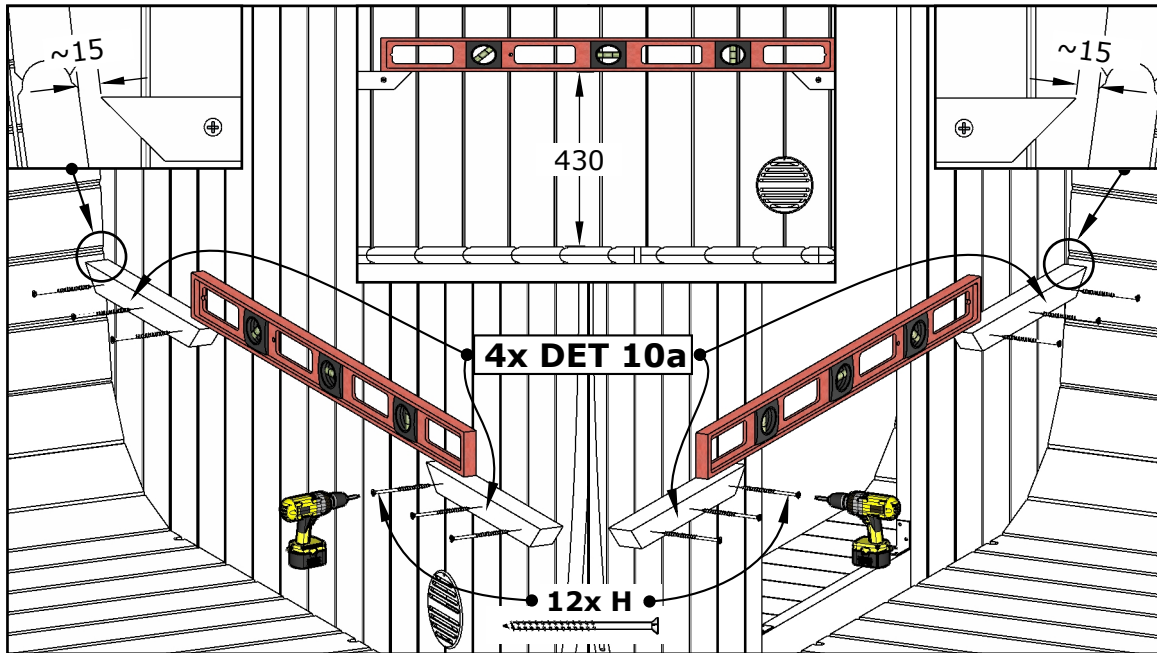
7.



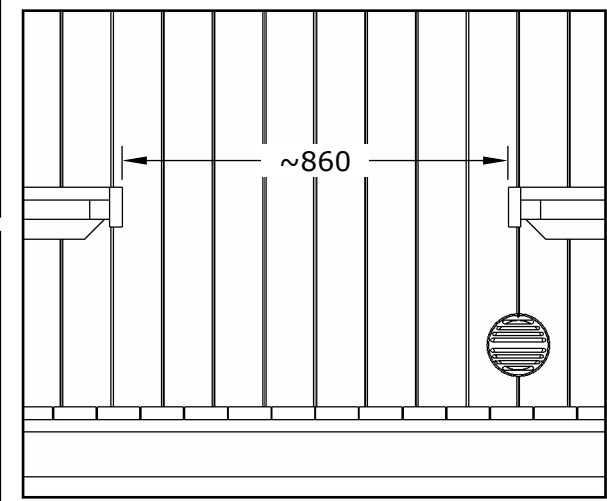
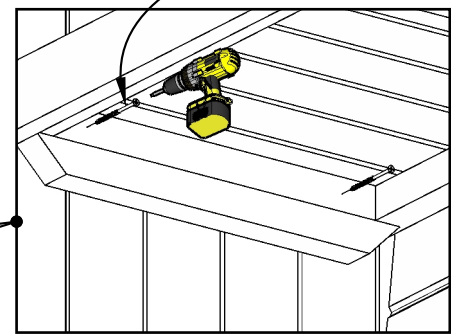
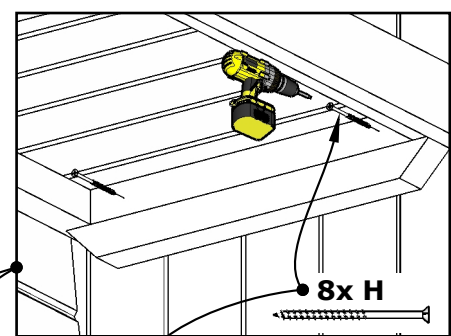
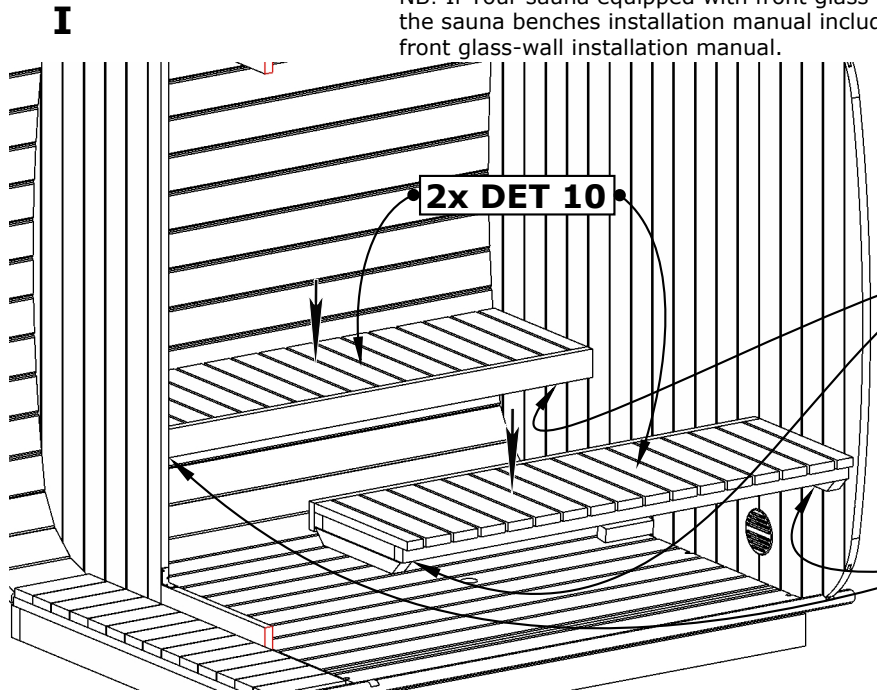
III

(ICO-20-PES-PTS-002)

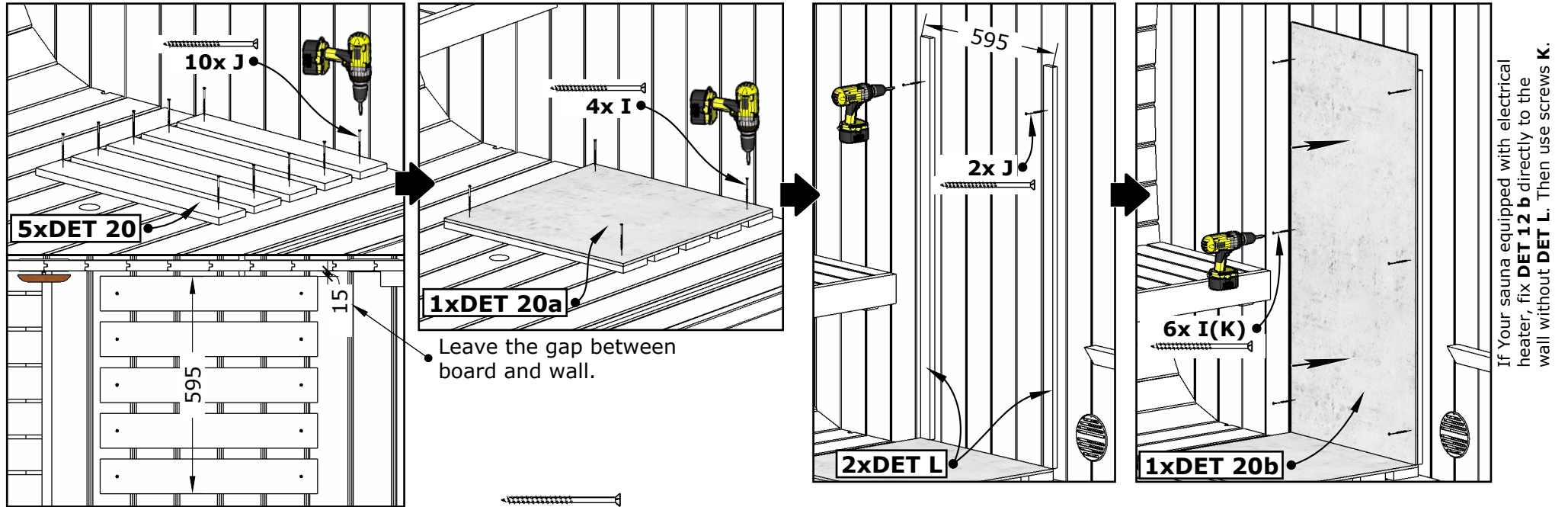
Sauna "Icon" 200,Ø200



NB! If Your sauna equipped with front glass-wall, the sauna benches installation manual included in front glass-wall installation manual.

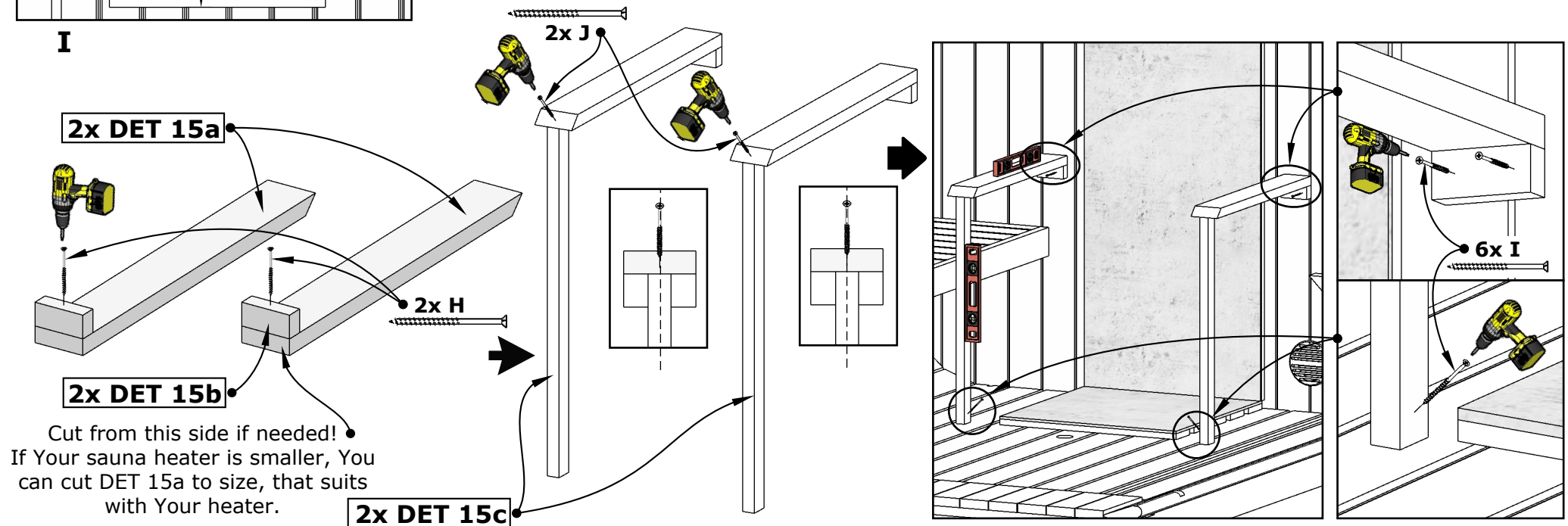


Sauna "Icon" 200,Ø200



If Your sauna equipped with electrical heater, fix **DET 12 b** directly to the wall without **DET L**. Then use screws **K**.

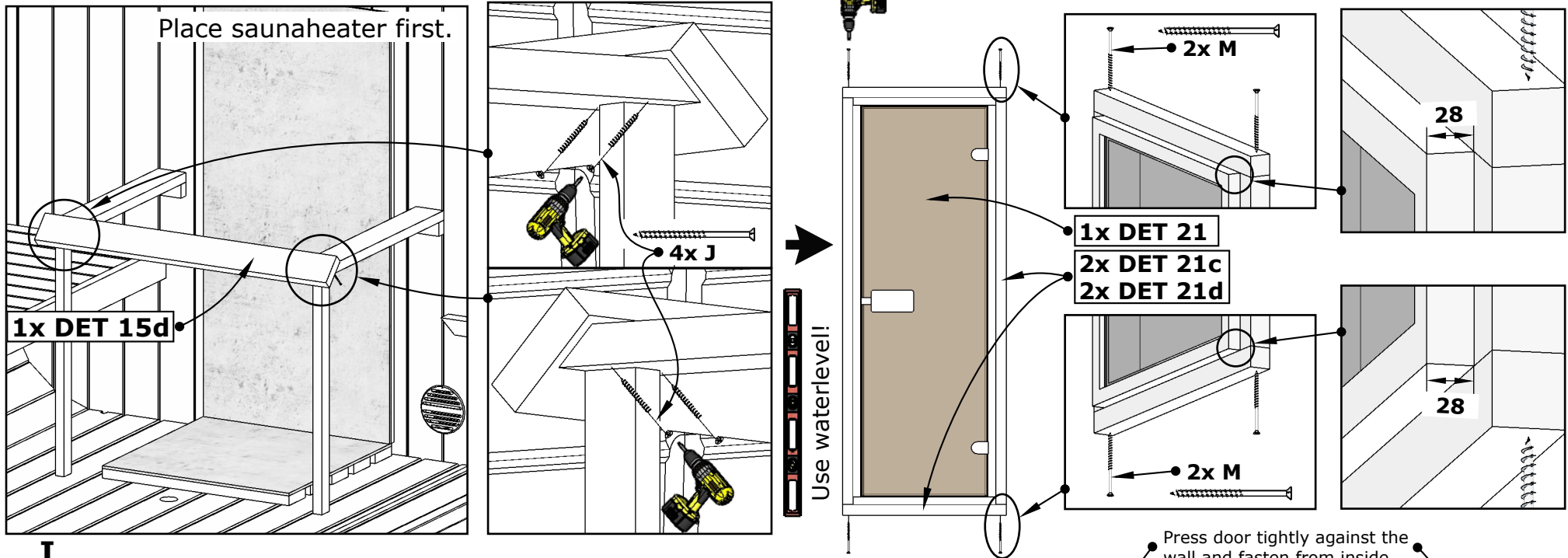
I



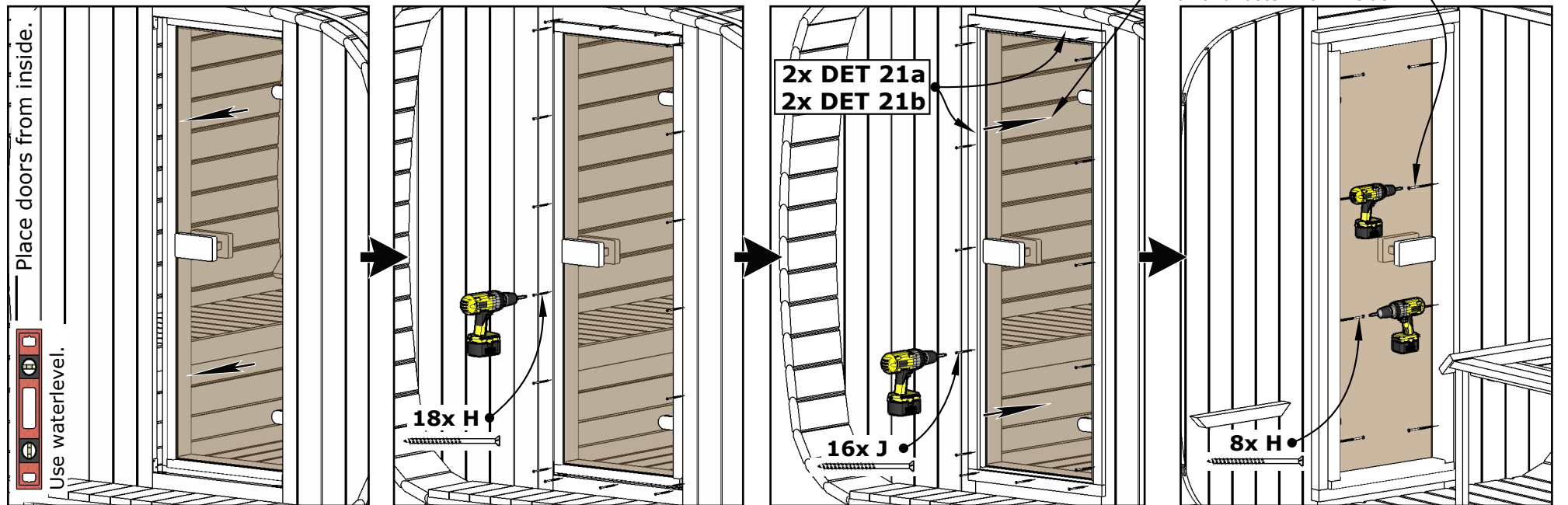
II

9.

Sauna "Icon" 200,Ø200

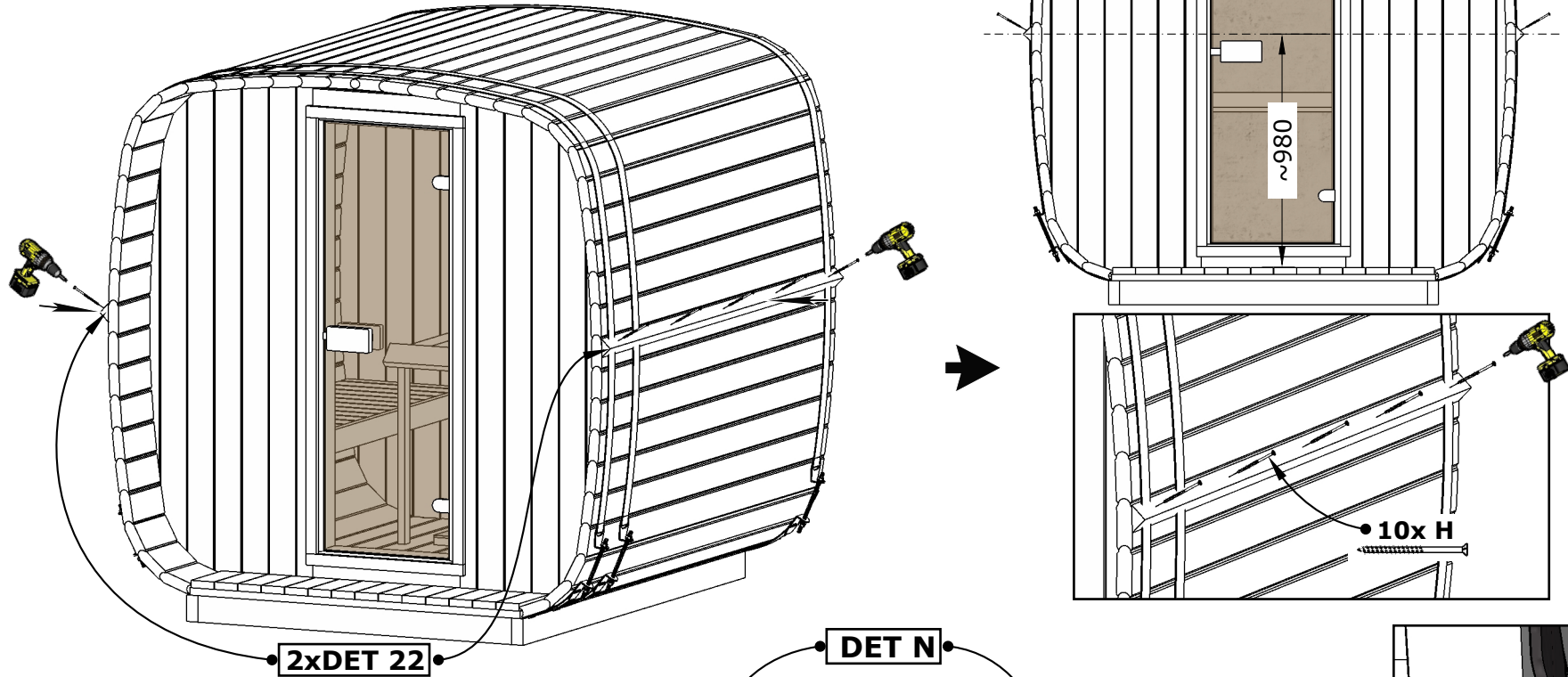


I



10. II

Sauna "Icon" 200,Ø200

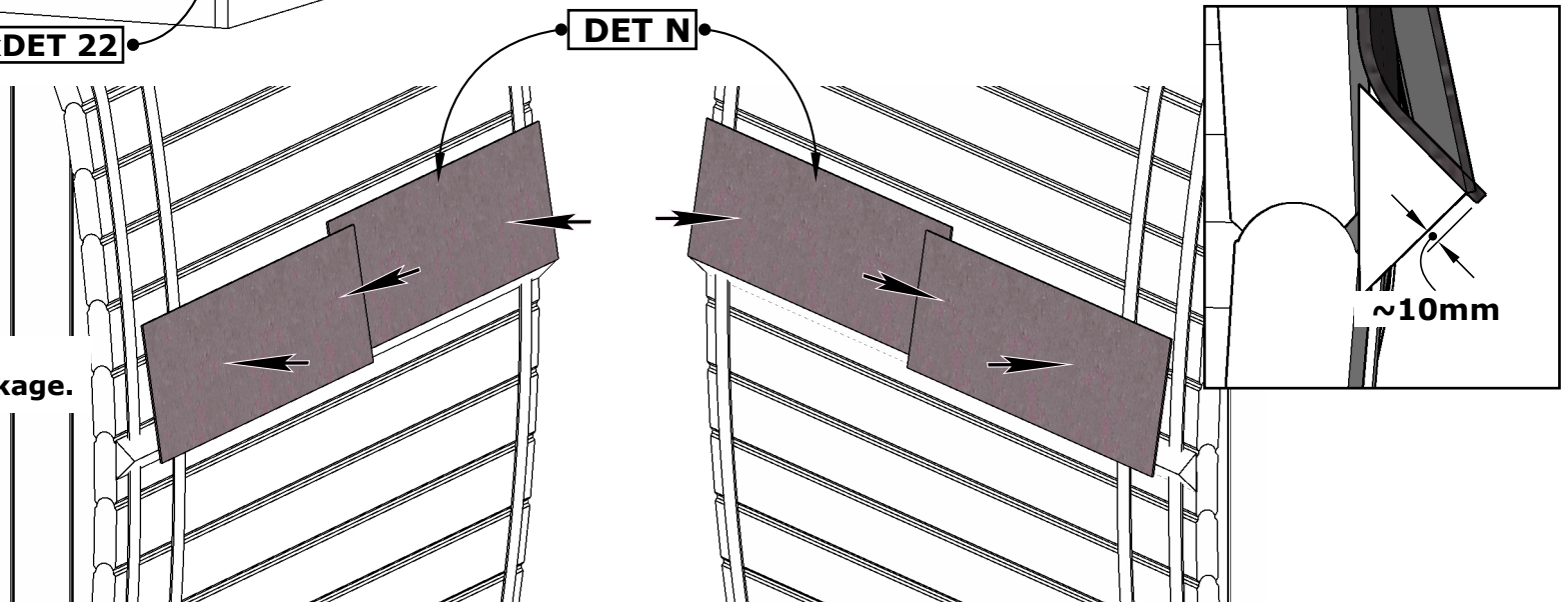


NB! Before roof shingles, install underlay felt. Check underlay felt installation manual on extra pages.

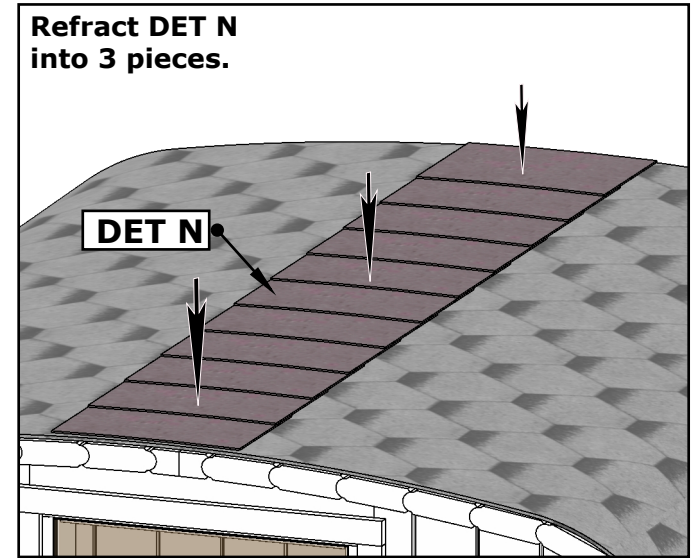
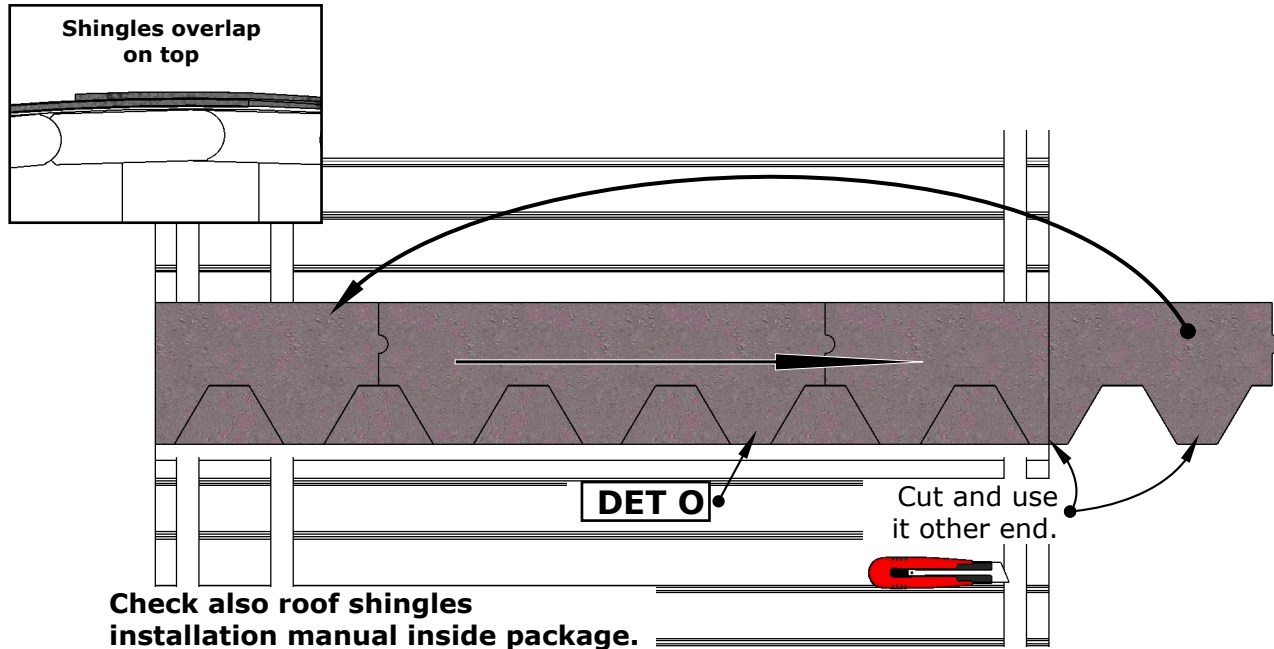
Check also roof shingles installation manual inside package.



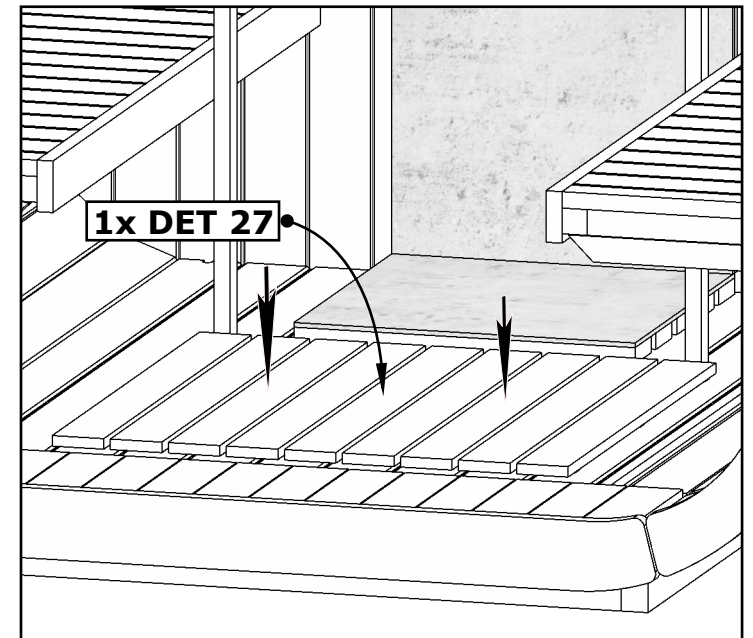
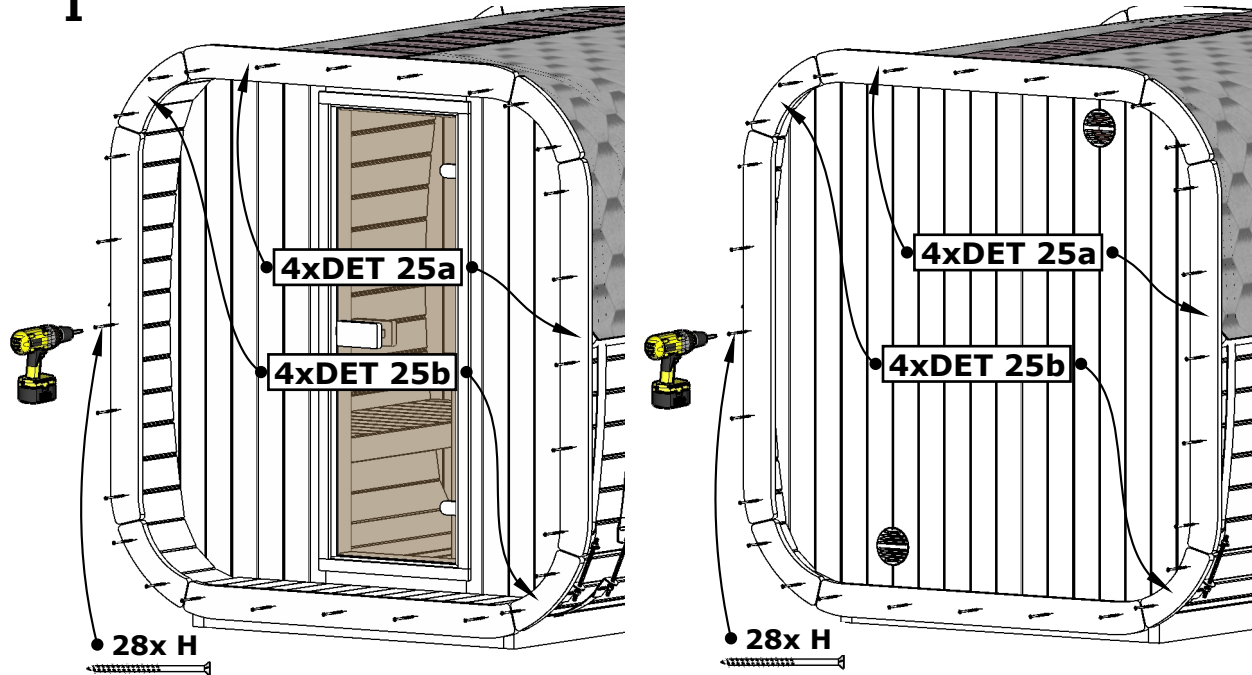
II



Sauna "Icon" 200,Ø200

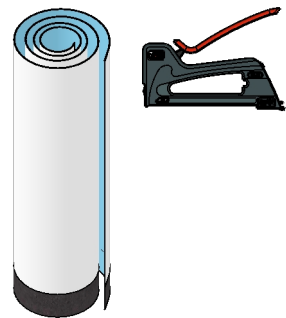
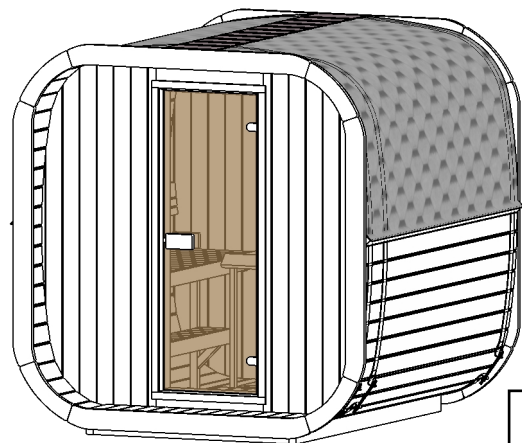


I

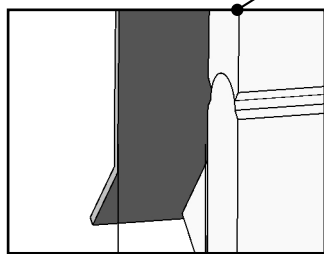


12. II

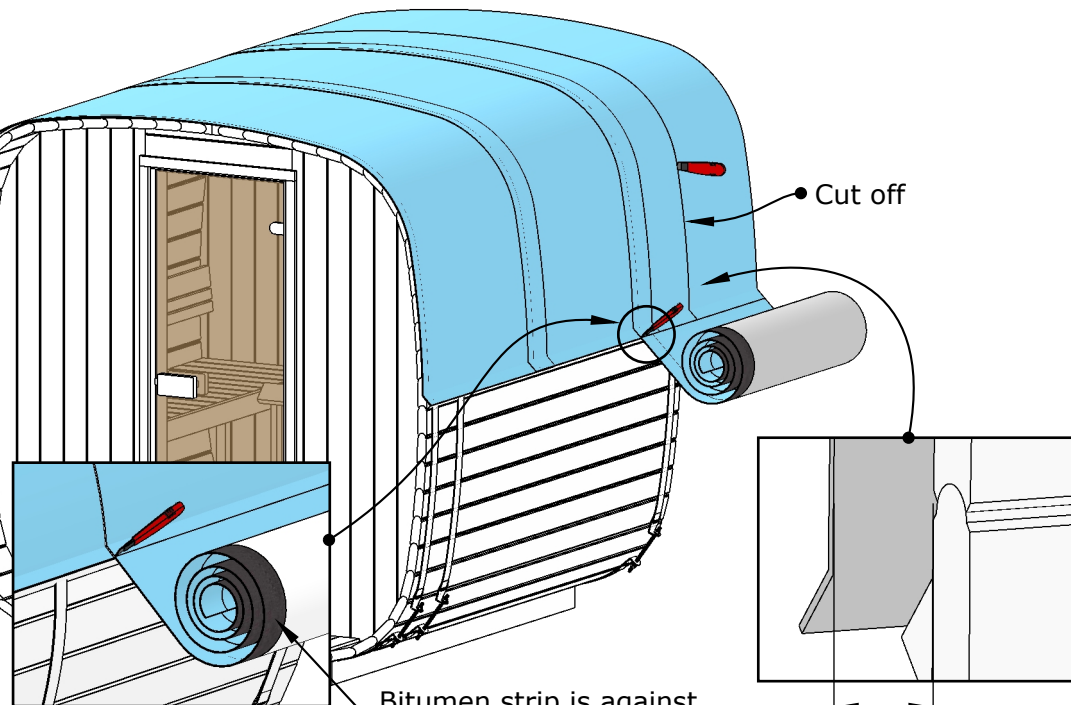
Underlay felt installation manual.



Check also underlay installation manual inside the package!

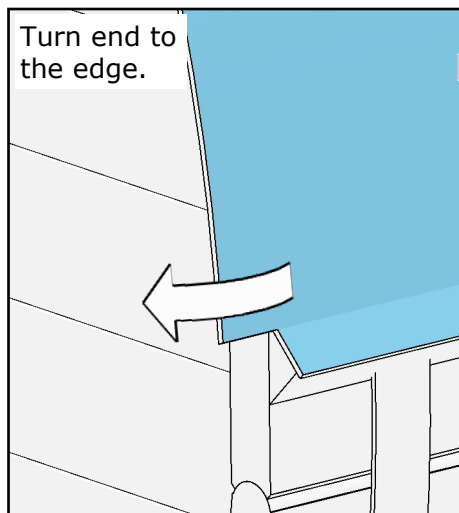


~50 mm
over the edge.

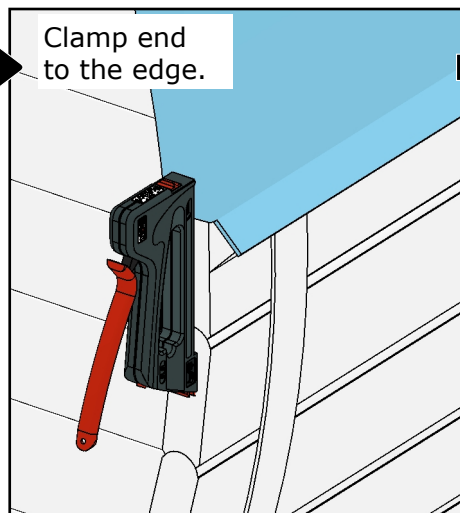


Bitumen strip is against the previous layer.

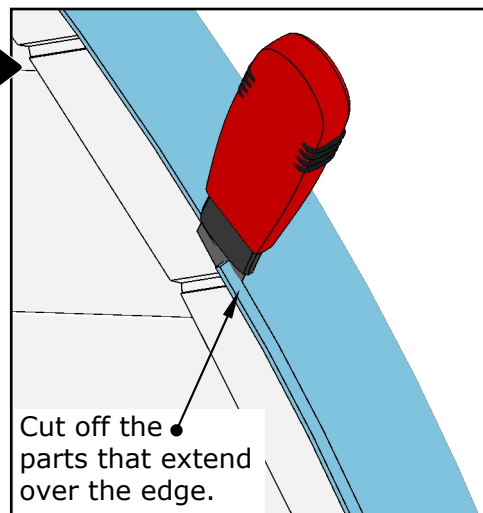
~50 mm
over the edge.



Turn end to the edge.



Clamp end to the edge.



Cut off the parts that extend over the edge.