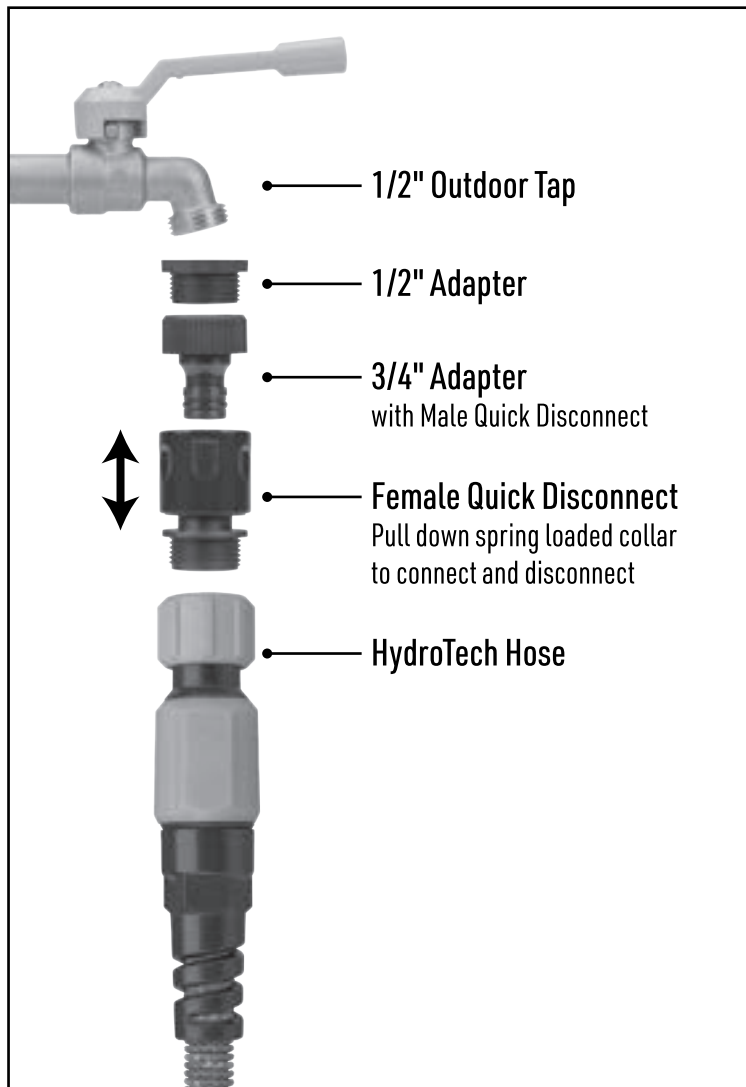
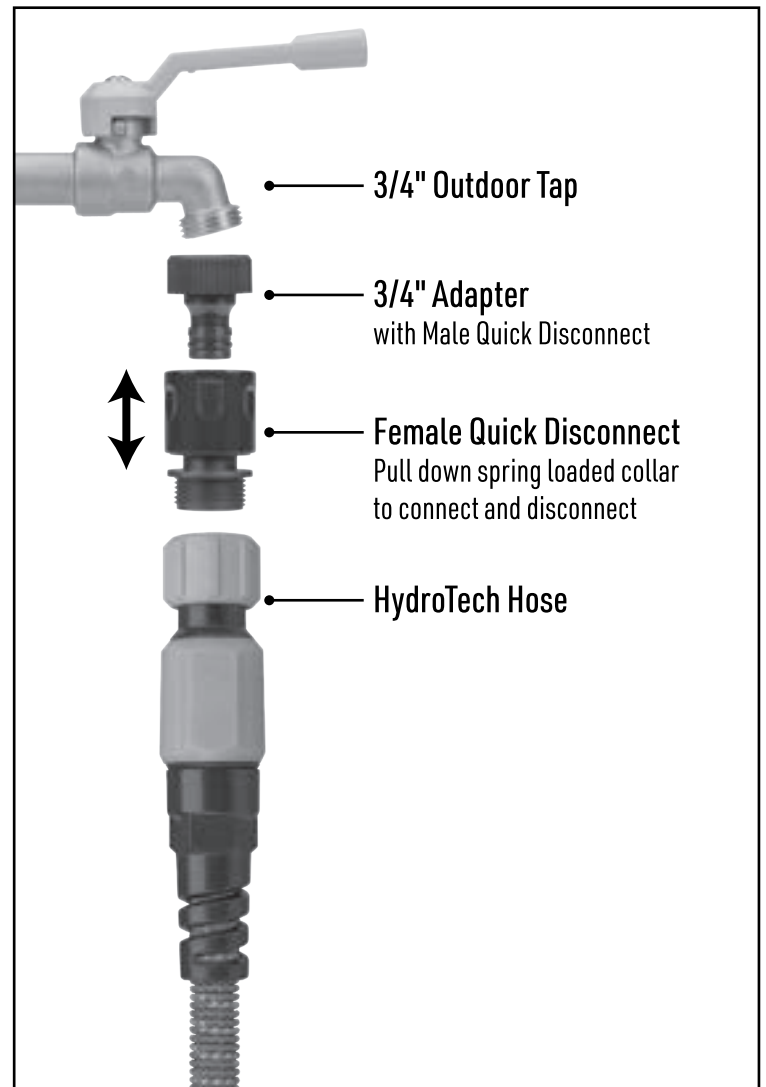


SET UP OPTIONS

USE WITH 1/2" OUTDOOR TAP



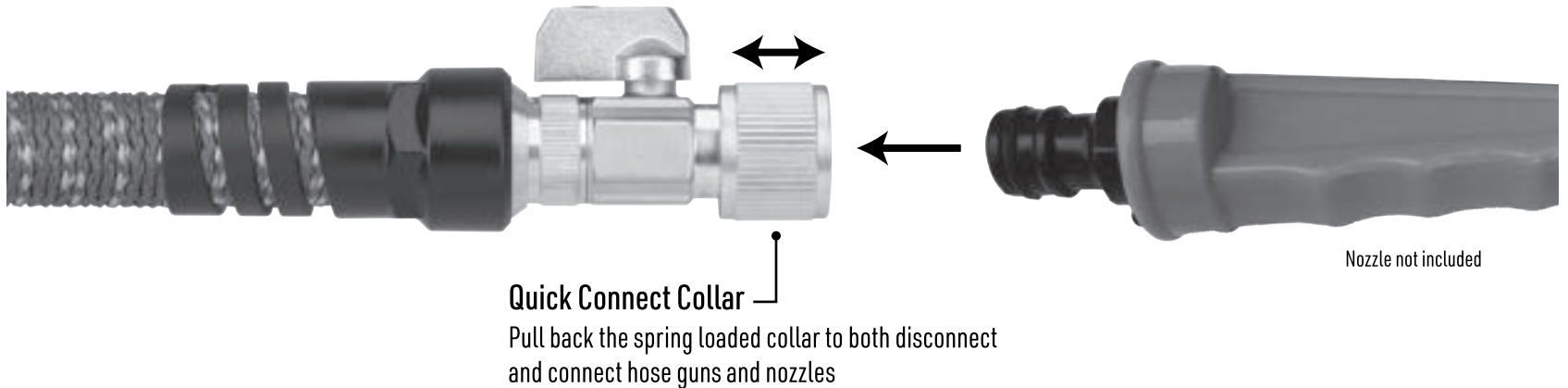
USE WITH 3/4" OUTDOOR TAP



OPERATION INSTRUCTIONS

1. Connect pieces for use with your outdoor tap.
2. Close valve at other end of hose.
3. Turn on the water and fill the hose to expand completely.
4. Remember to reopen valve before use.

QUICK CONNECT TO NOZZLE



NOTE:

It is important when connecting a nozzle or hose gun to ensure the collar is in the back position, and release once the nozzle has been inserted.

IMPORTANT INFORMATION

1. Do not leave hose under full pressure when not in use.
2. In extreme heat, store hose indoors.
3. Do not leave hose outside in freezing temperatures, store indoors in the winter.

NOTICE:

Hose retracts when the water source is turned off.
Stand clear of any attached accessories that may be pulled toward the outdoor tap.

QUESTIONS? | CALL or EMAIL

If you have any questions or difficulty using this product, we are here to help!
Our customer service team is available Monday through Friday, 9 am to 5 pm



01636 653 016 (within UK)



info@gudrum.com