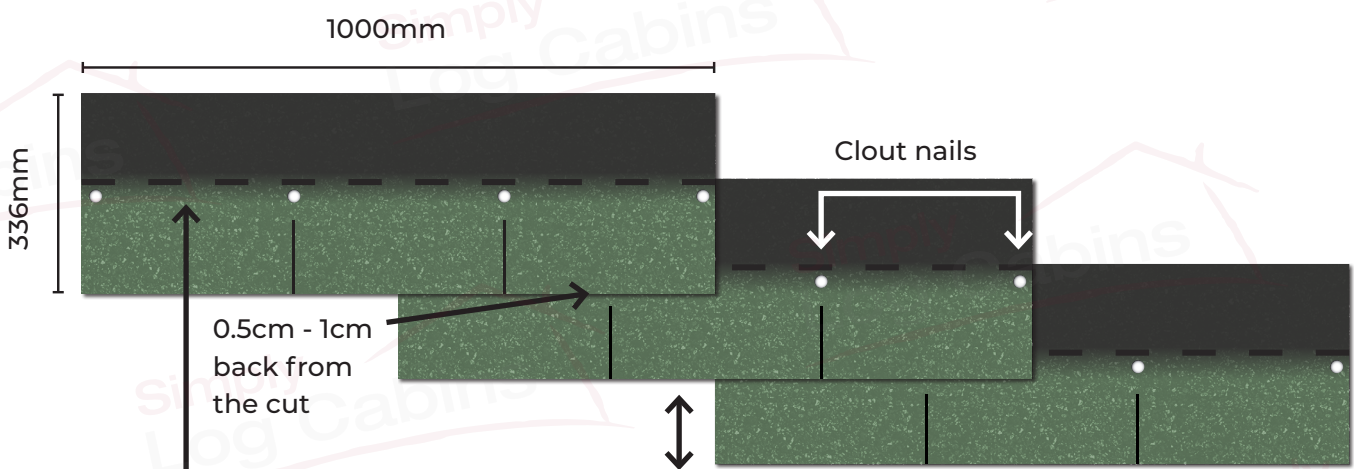


How to fit shingles

Shingles are a great solution to add more weatherproofing and longevity to your garden building roof. Having a layer of shed felt with shingles on top can nearly double the longevity of the roof in comparison to just having shed felt. Shingles also provide a different style which some customers prefer as they replicate the style of roof tiles.



Adhesive strips

The tabs will self bond in summer conditions. In colder conditions the bond will take longer to be effective. Therefore blobs of IKO pro High-Performance Felt Lap Adhesive should be applied below each corner of the tabs

Tabs

Gauge 143mm (reduce to 130mm on sites of severe exposure)

Green shingles



Black shingles



Application guide on the next page

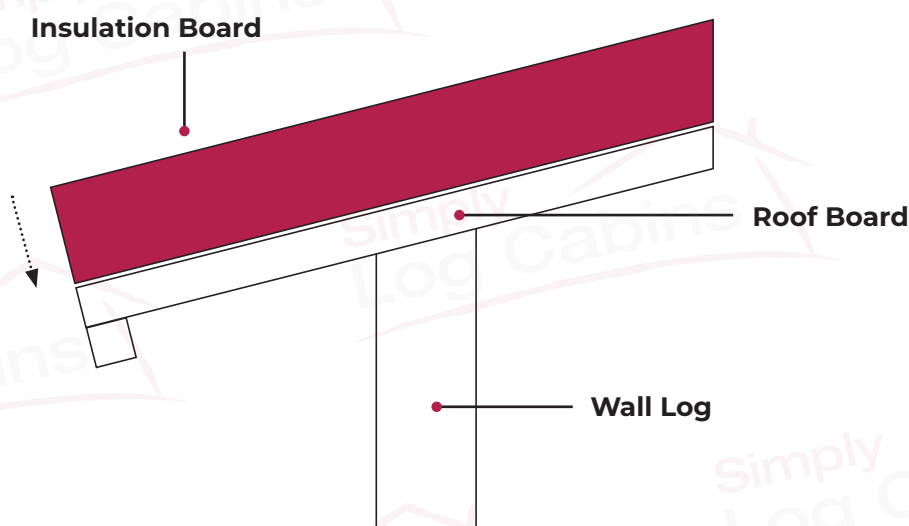
I have purchased roof insulation

Fitting shingles & shed felt onto roof insulation

As Norland buildings will typically have a fascia that alligns with the top of the roof boards, when adding insulation and your roofing material you will find that the insulation will come higher than the fascia. The guide below will detail how to fix the insulation to the roof boards and then overlapping the shed felt between the fascia and roof boards to create a seal, finished off with the shingle tiles.

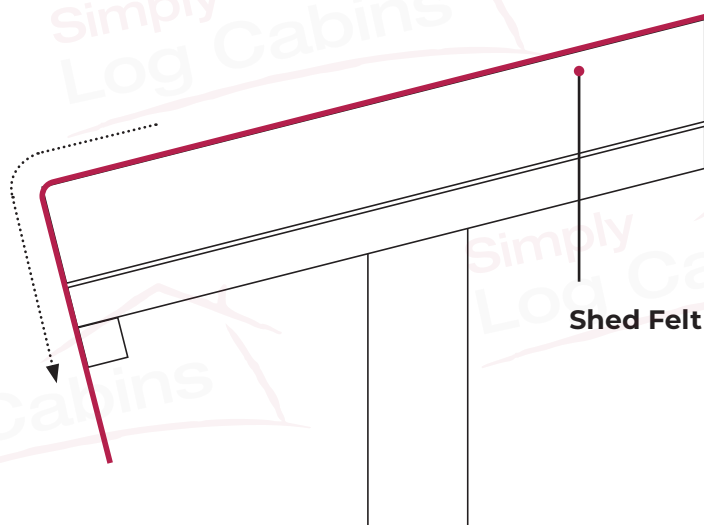
Step 1.

Place the insulation boards onto the roof boards, alligning with the edge of the roof.



Step 2.

Lay the shed felt over the roof insulation boards, allowing for it to overhang down the front of the roof boards

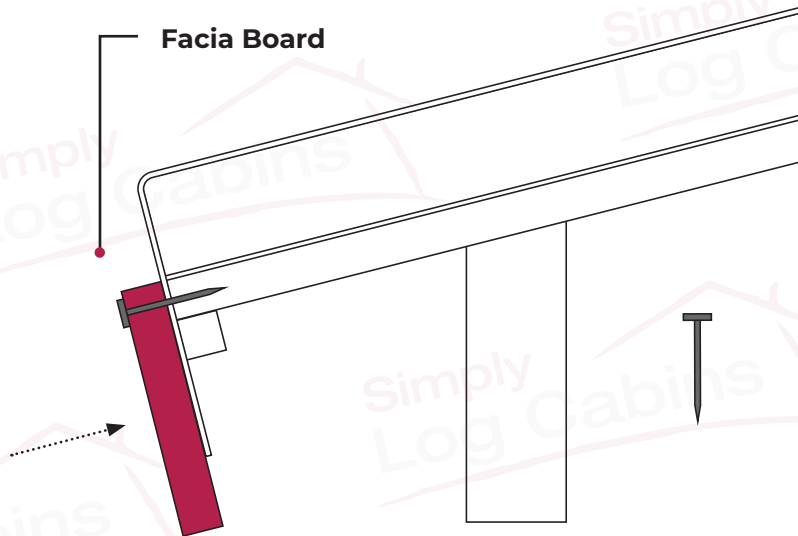


Continued on the next page...

Continued...

Step 3.

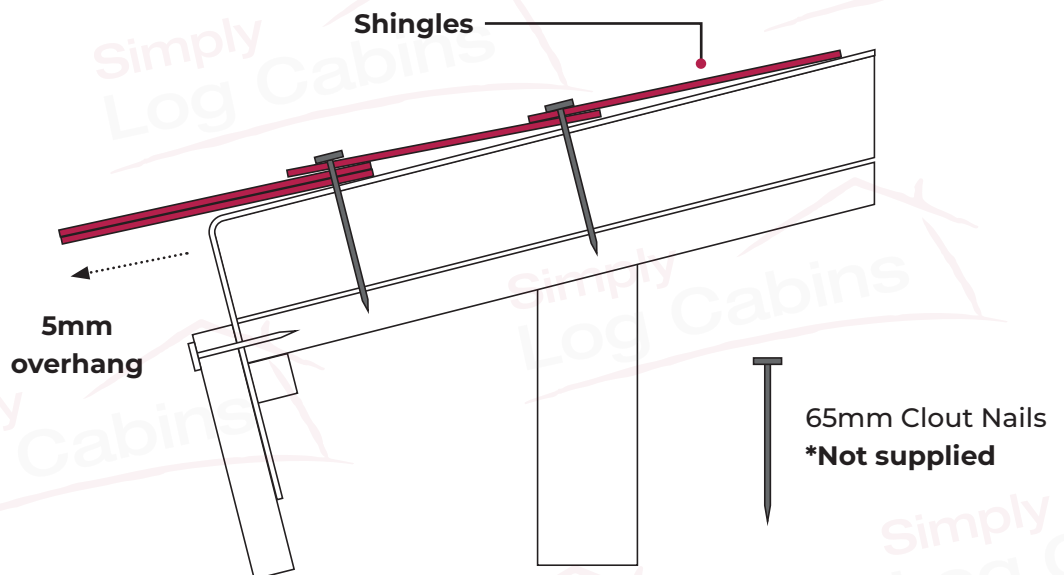
Fix the fascia board to the roof board creating a seal with the shed felt running down the inside



Step 4.

Start with your shingles allowing for the first double to overhang the fascia board by roughly 25mm.

This will allow for water to not sit on-top of the fascia board



I have not purchased roof insulation

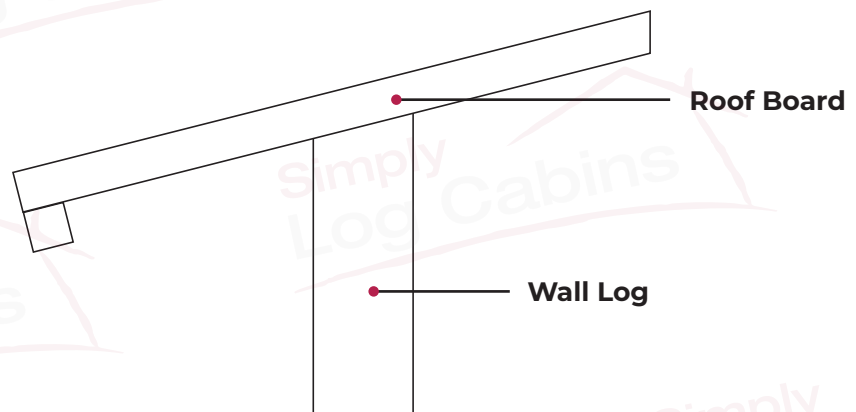
Fitting shingles & shed felt (excluding insulation)

This guide will detail how to fit shed felt and shingles to your log cabin, summer house or garage. It is important to know that in this guide there will be parts that are supplied with your order and parts that are not. Please ensure you have the correct tools before starting the assembly.

***Please note buildings with a steeper pitch roof will not require the underlay felt, you can just apply the shingles without the felt**

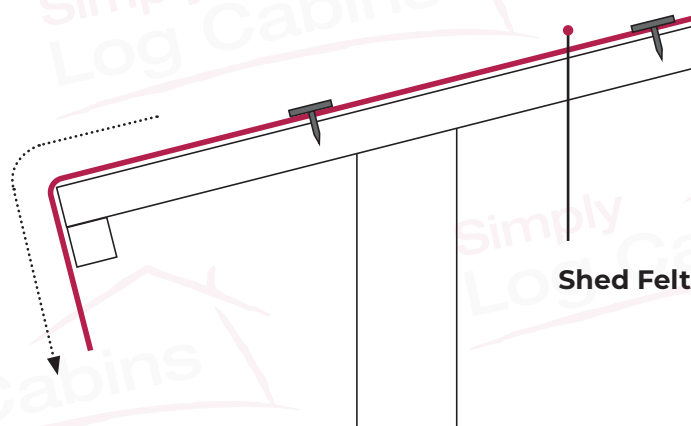
Step 1.

Ensure the roof boards are clean and swept of any debris



Step 2.

Lay the shed felt over the roof boards, allowing for it to overhang down the front of the roof boards

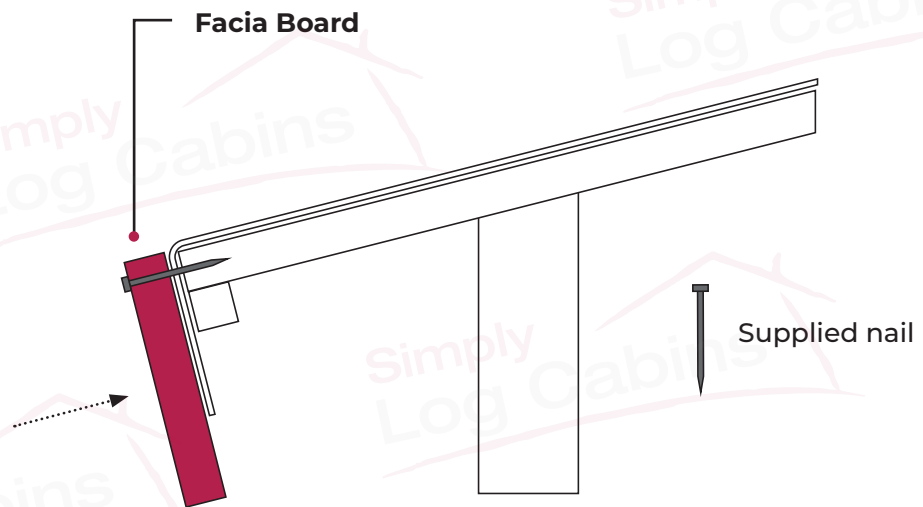


Continued on the next page...

Continued...

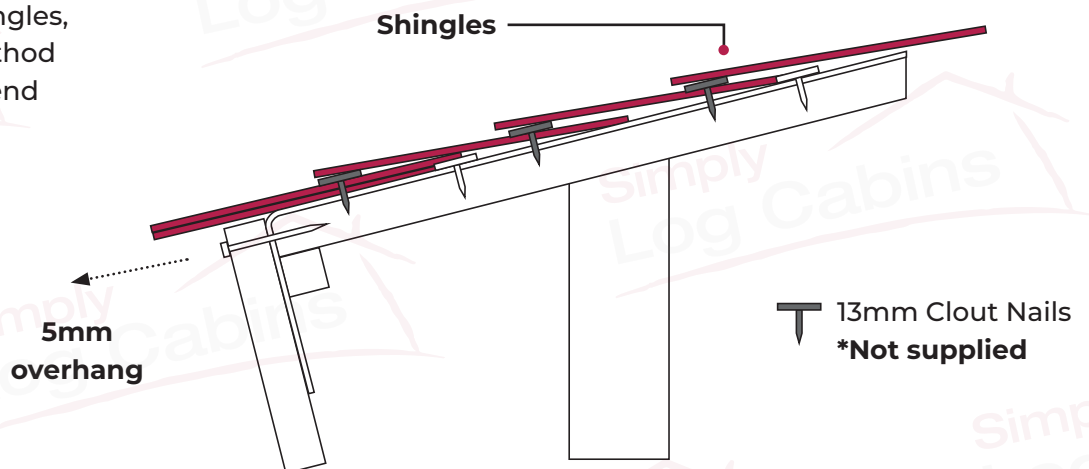
Step 3.

Fix the fascia board to the roof board creating a seal with the shed felt running down the inside



Step 4.

Now add your shingles, Following the method presented at the end of this guide.



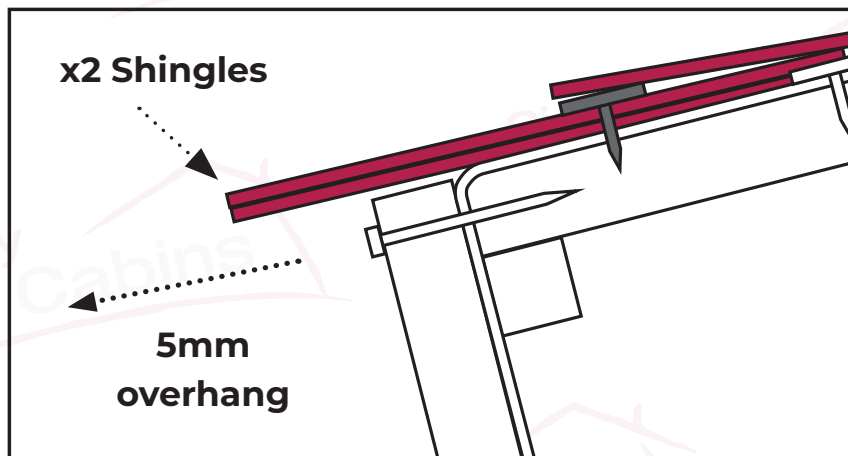
Step 1. Lay the shed felt first

You should always start with tacking down the shed felt supplied first below the shingles. Starting at the eaves and working up the slope of the roof, unroll the shed felt with generous overlap to the eaves. The underlay should extend beyond the roof edges and turn down the external edges by 50mm. Tack into position at 300 c/c along the lower edge and down all sloping sides. End laps should be 100mm and the vertical overlap 100mm.

Step 2. Apply your shingles

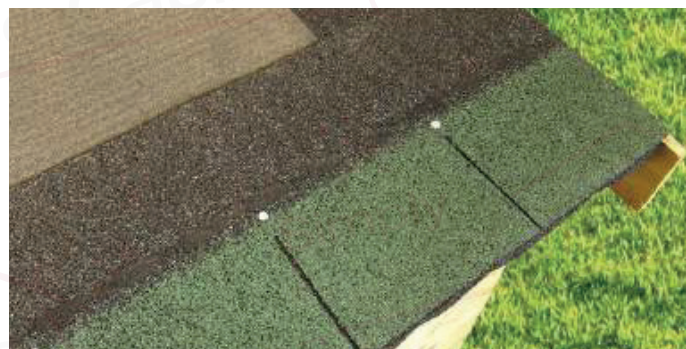
It is important to know that once you have placed your underlay felt over the edge of the roof boards to fix the fascia board before adding the shingles. To do this, fix your fascia board, this will give you a natural line to align your first row of shingles. Place your first shingle in reverse with 5mm overhanging the fascia board. Then double layer with another shingle the correct way around.

You can then start to build up the layers of Shingles.



Step 3. Position and fix the first shingle course

Trim half, that is 125mm from the verge tab of the first shingle course (row), and continue with full shingles for the rest of the course. Leave a 2mm gap between shingle strips. See Fig. 2. Repeat this for all odd numbered courses.



Step 5. Position and fix the higher courses

Use whole shingle strips for the placing of the second and all further even numbered courses creating a staggered effect as shown in the illustration. Shingles should be nailed 25mm above each cut-out and 25mm in from each edge. Continue to fix the shingle strips up the roof, creating a staggered effect.

The bottom edge should just overlap the top of the cut-outs of the underlying shingles so that there will be approximately 145mm of each shingle exposed. Roofing adhesives can be used sparingly, covering the nail heads of individual fixing points and in the corner of each tab. This also gives added security in exposed locations.

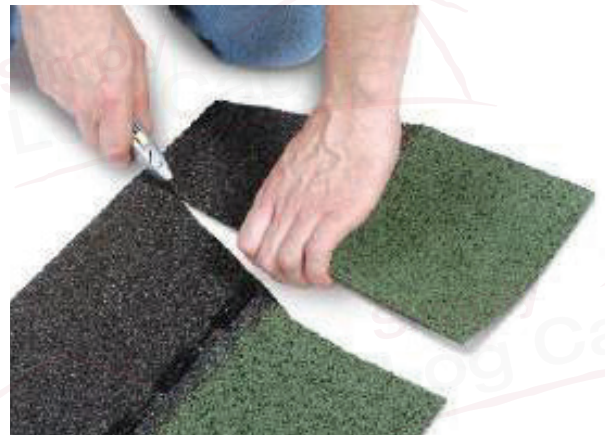


Step 6. Cut roof shingles to create ridge shingles

To finish the roof we make the ridge capping. For the ridge, IKO Roofing Shingles must be cut from the shingle strips, in-line with the cut-outs.

Four ridge shingles can be cut from each shingle strip. Shingles can be more readily cut if scored on the back, allowing the shingle to separate away easily. Alternatively you can cut from the front, or mineral side (as shown).

To assist in making the ridge shingles lay flat, make secondary cut lines as shown in the illustration.



Step 7. Alignment of the ridge shingles

When you are applying shingles only (no underlay felt) apply the fascia board first, and then align your shingles with a 5mm overlay.

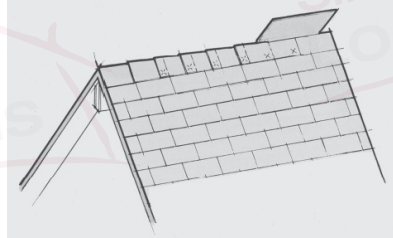
Step 8. Position and fixing of ridge shingles

On the ridge of the roof each ridge shingle should overlap the previous one, as shown, exposing approximately 145mm.



Step 11. Seal the lap joints in the ridge shingle

A bead of felt lap adhesive should be used to seal the joint. Bed down onto 25mm strips of IKO pro High-Performance Felt Lap Adhesive to seal the open ends. **Please note adhesive is not included**



Step 12. Position and fix of the ridge shingles

Continue to fix the ridge shingles along the roof ridge, bending lengthways down the centre to achieve equal exposure on both sides of the ridge as shown. In cold weather remember to warm the shingles before folding. Seal the lap and nail fixing on both sides.



Step 13. The completed job

You are complete, you now have a long lasting waterproof roof for your garden building for years to come.

