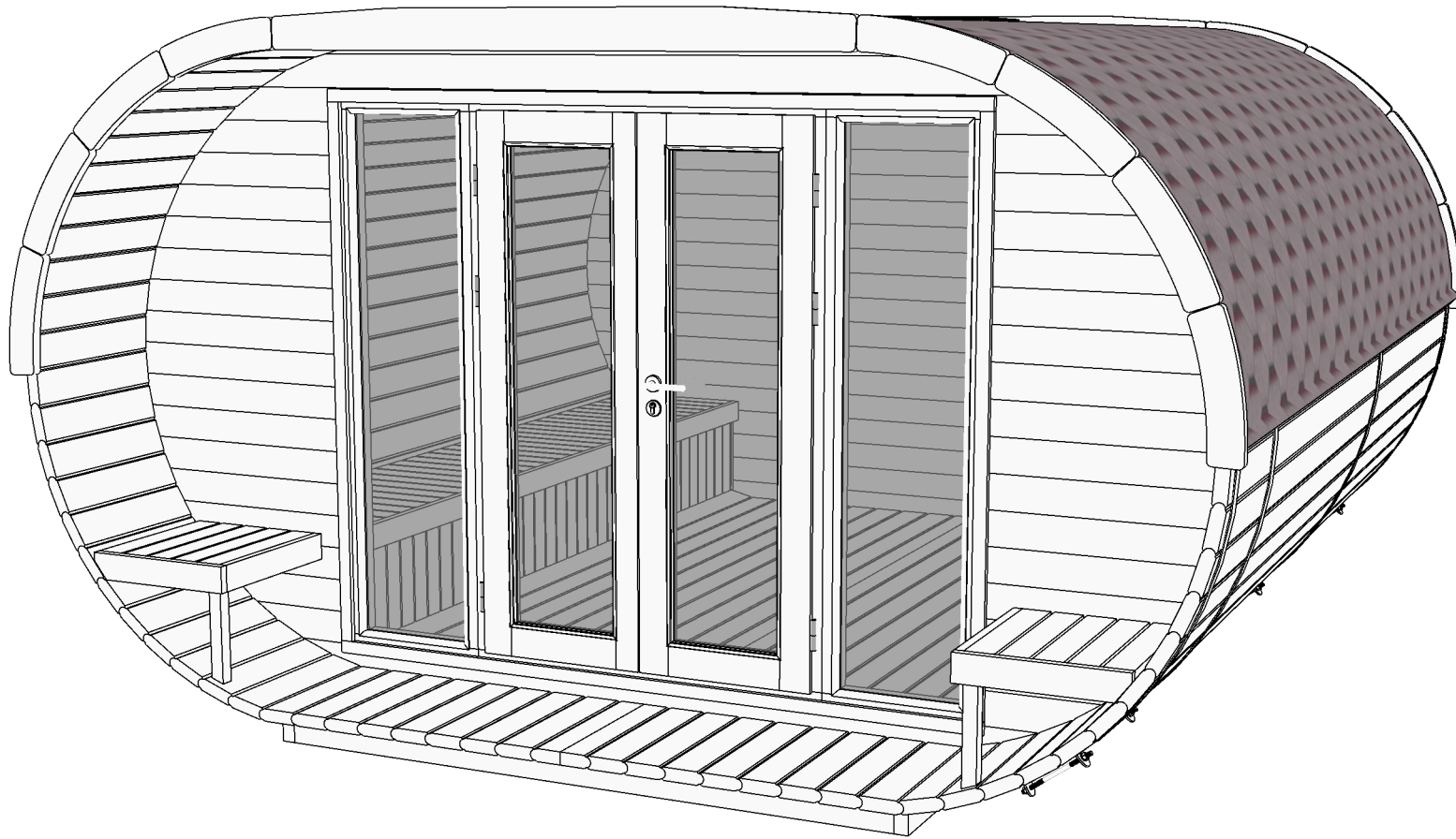
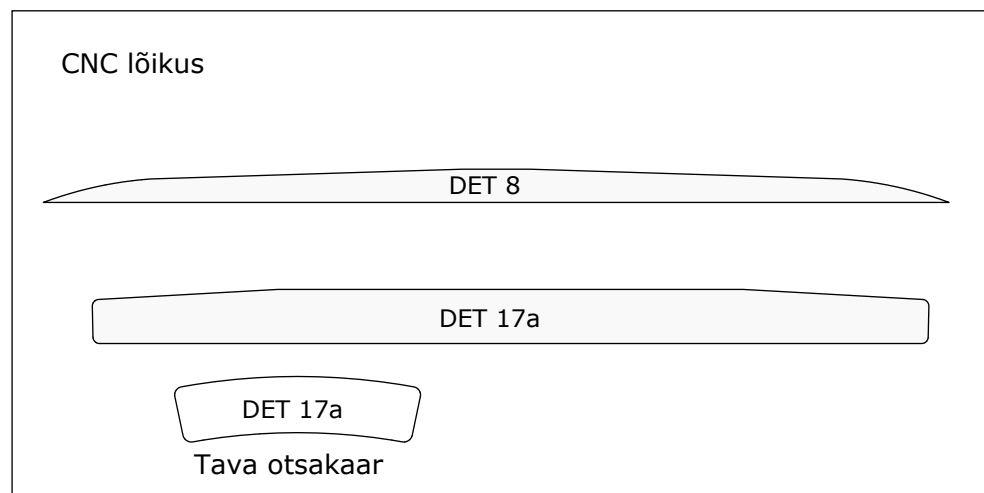
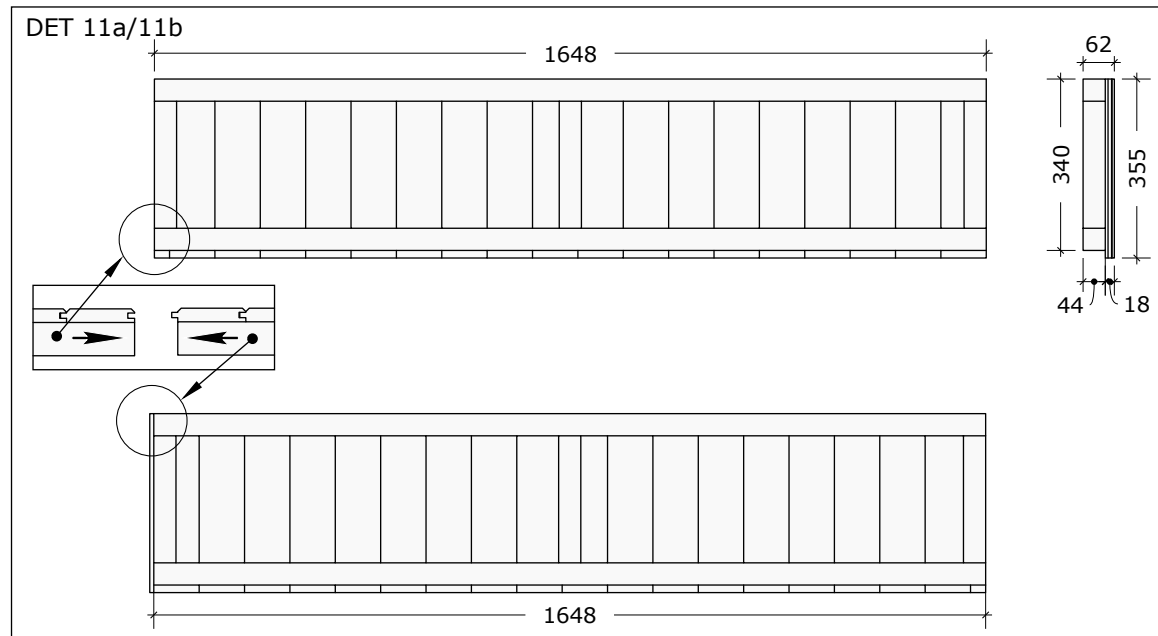
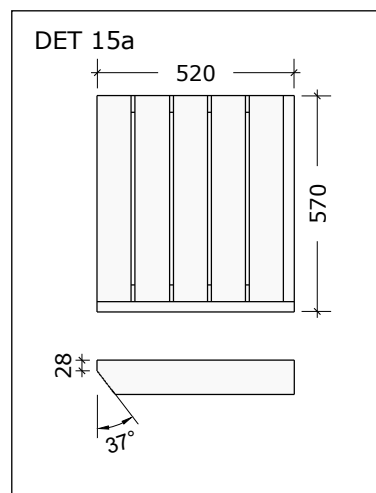
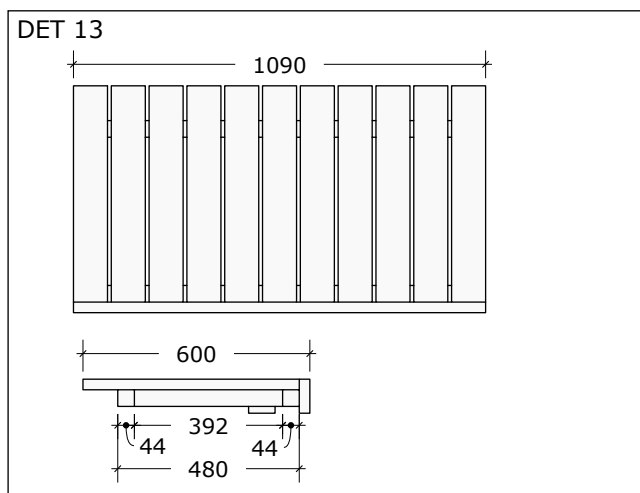
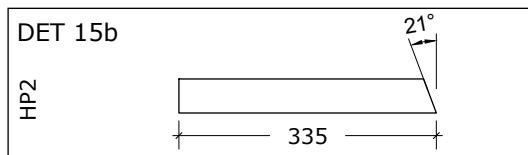
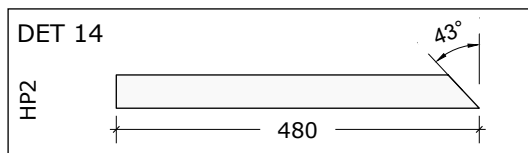
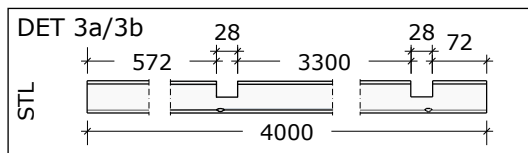
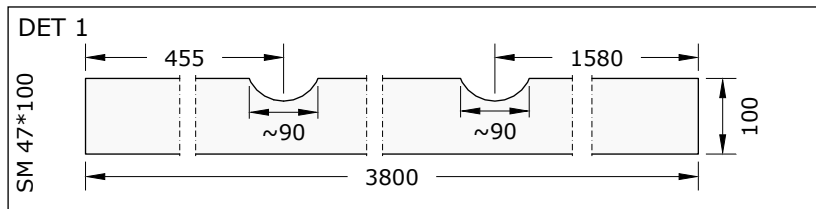


# Camping Oval 4 x 4

**Please read the whole manual  
before You start.**

**All given measurements are in millimeters.**

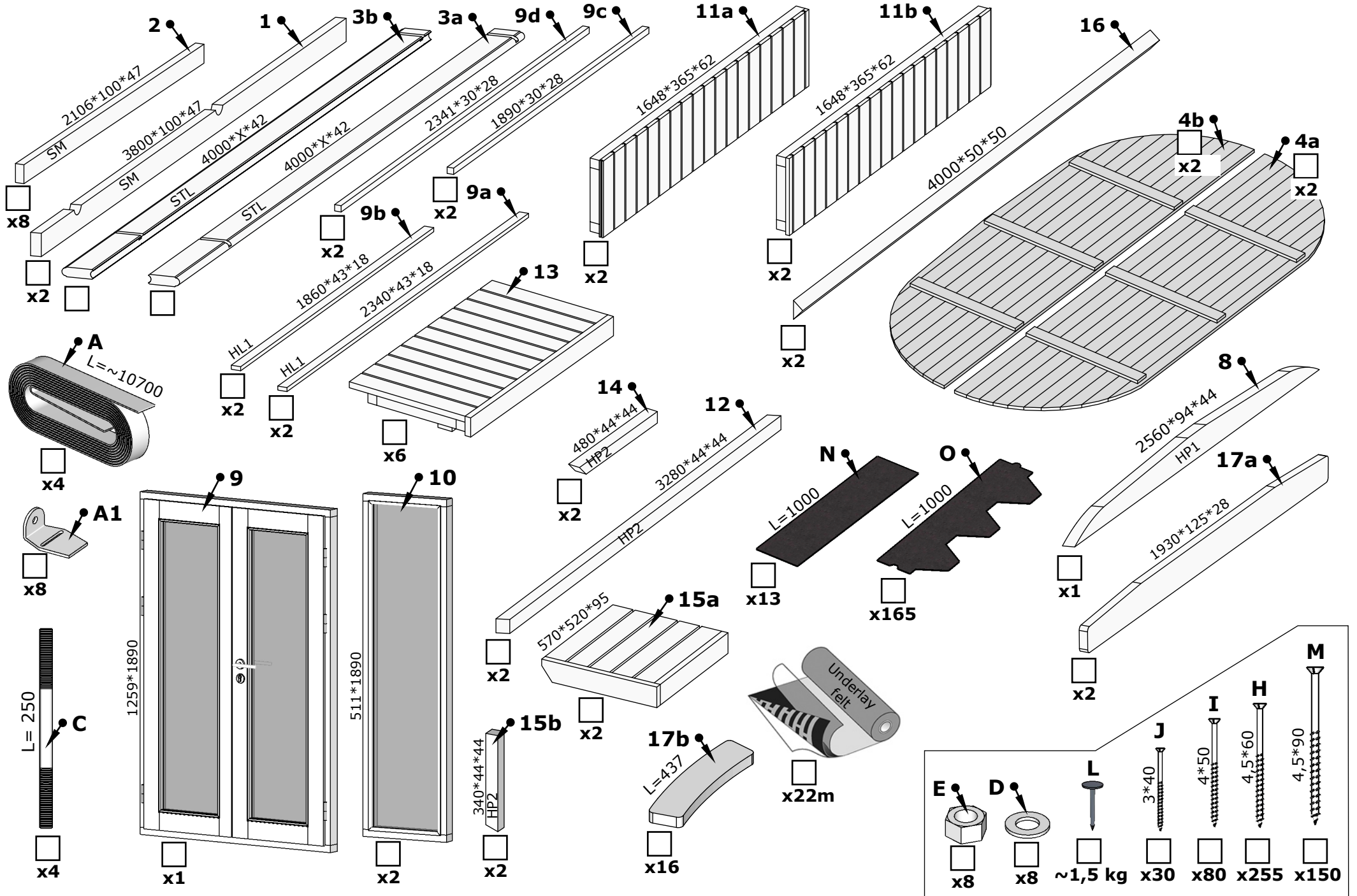




# Camping Oval 4 x 4

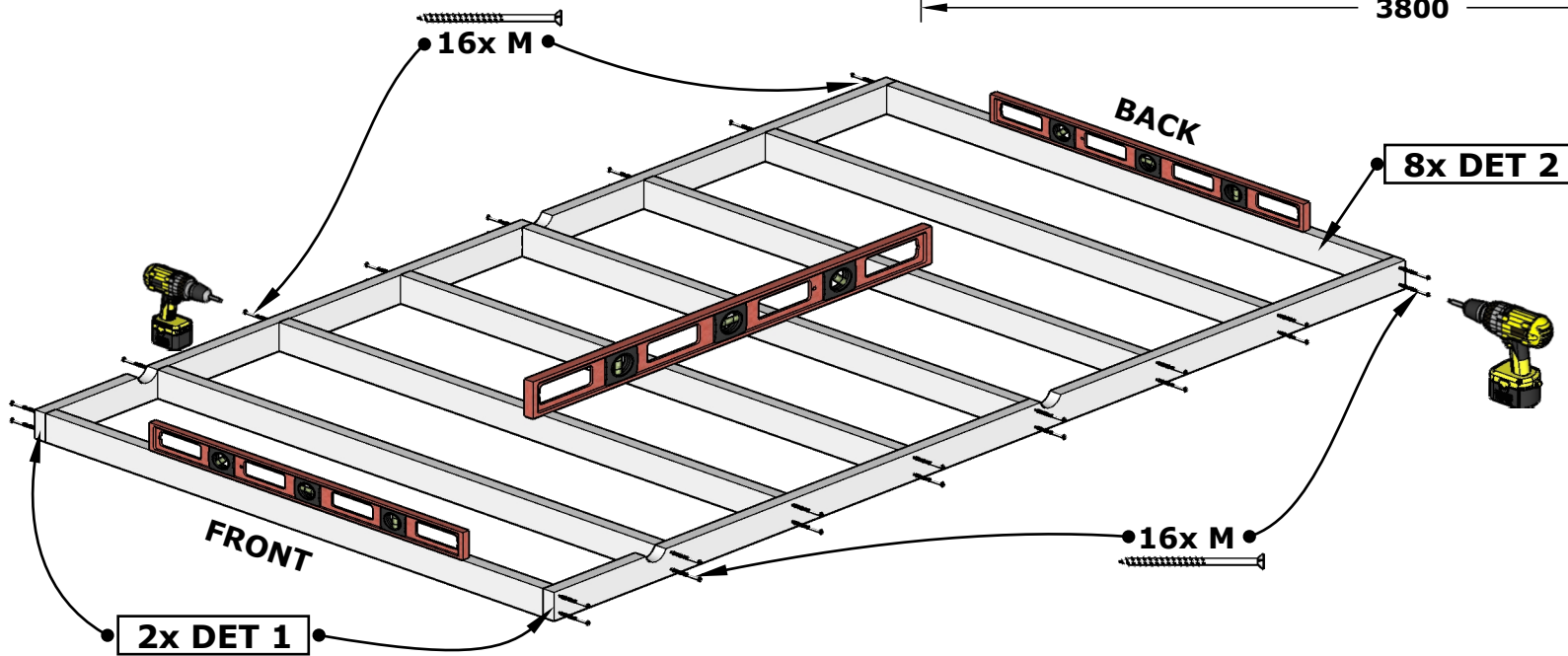
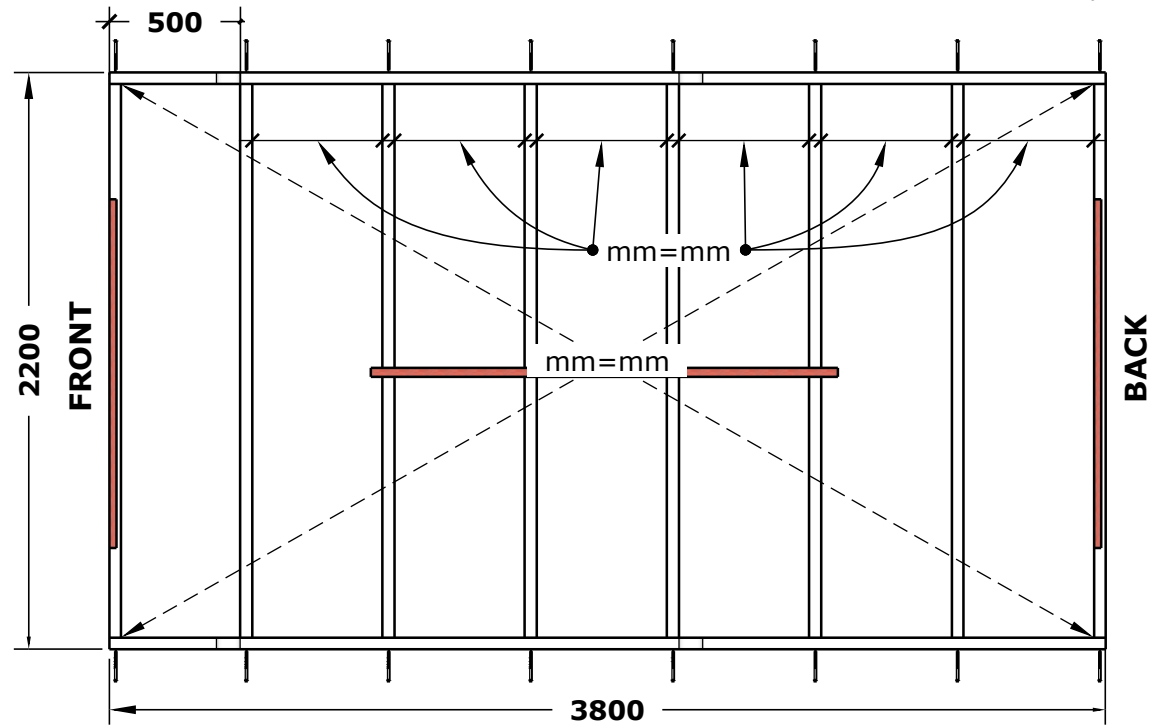
## Details list.

(TU 105)



# Camping Oval 4 x 4

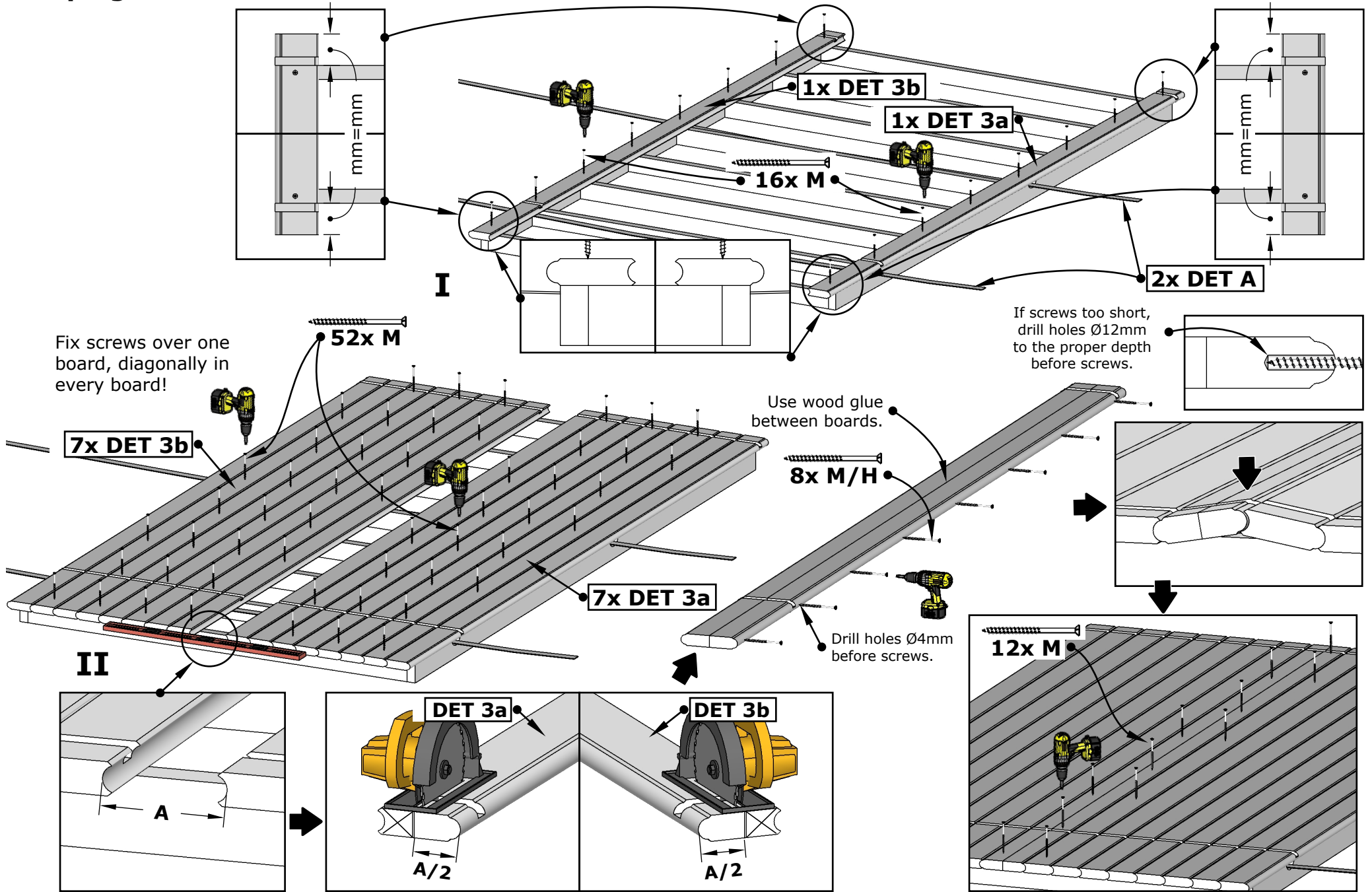
(TU 105)



1.

# Camping Oval 4 x 4

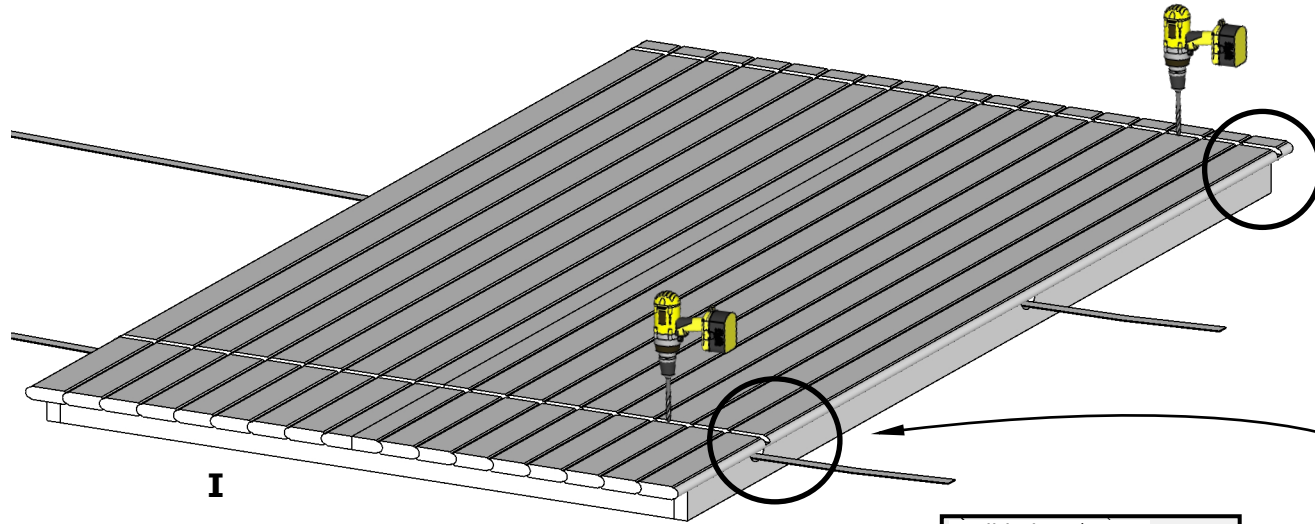
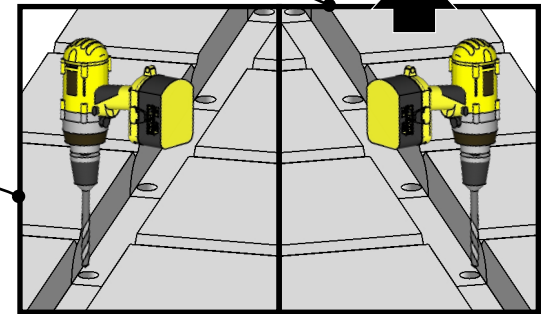
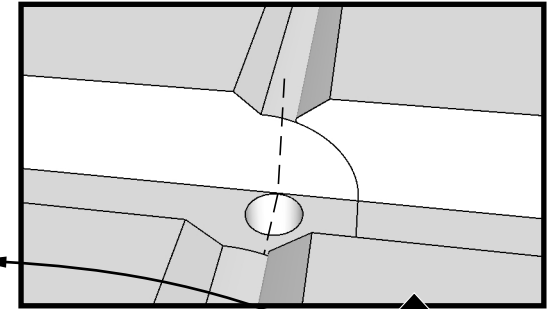
(TU 105)



# Camping Oval 4 x 4

(TU 105)

Drill Holes  $\varnothing 10$  in every board, outside.

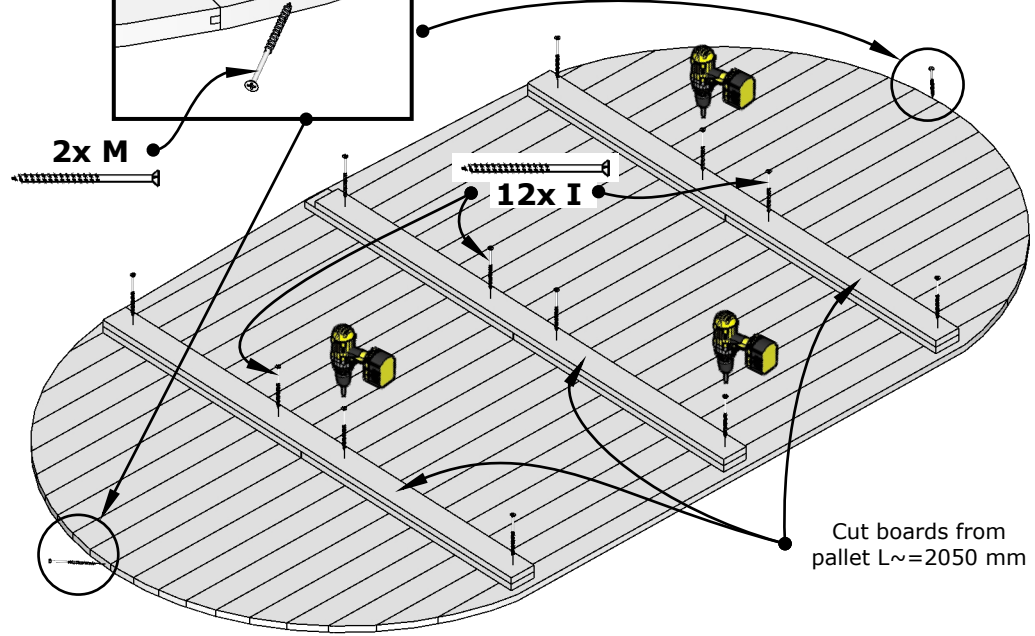


I

Drill holes  $\varnothing 4$ mm before screws.

2x M

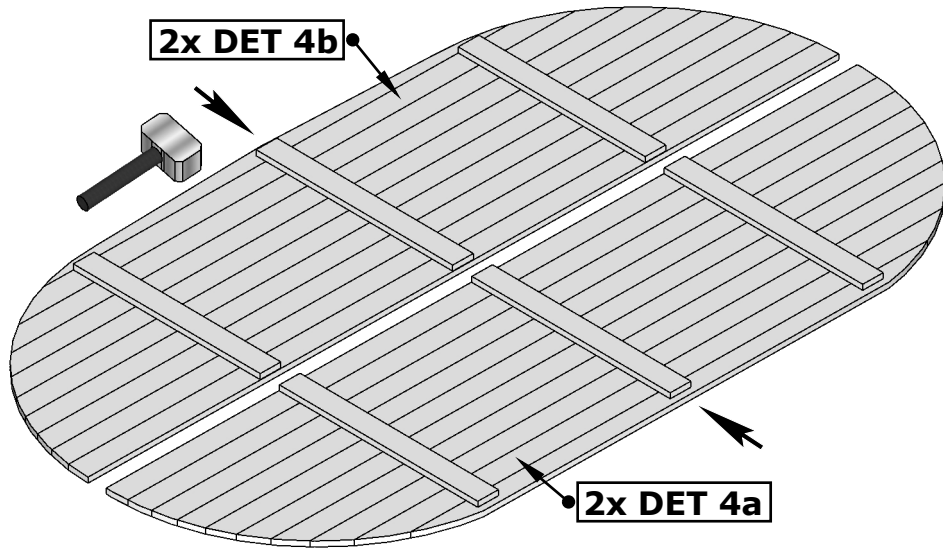
12x I



III

2x DET 4b

2x DET 4a

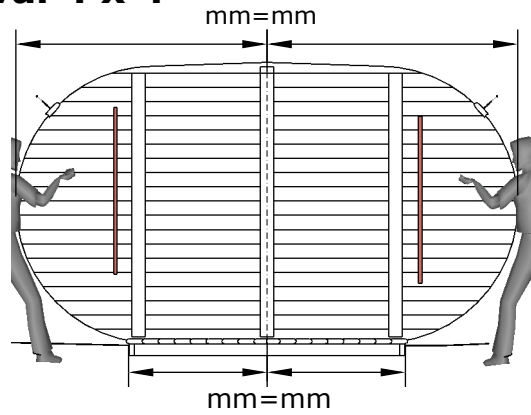


II

3.

# Camping Oval 4 x 4

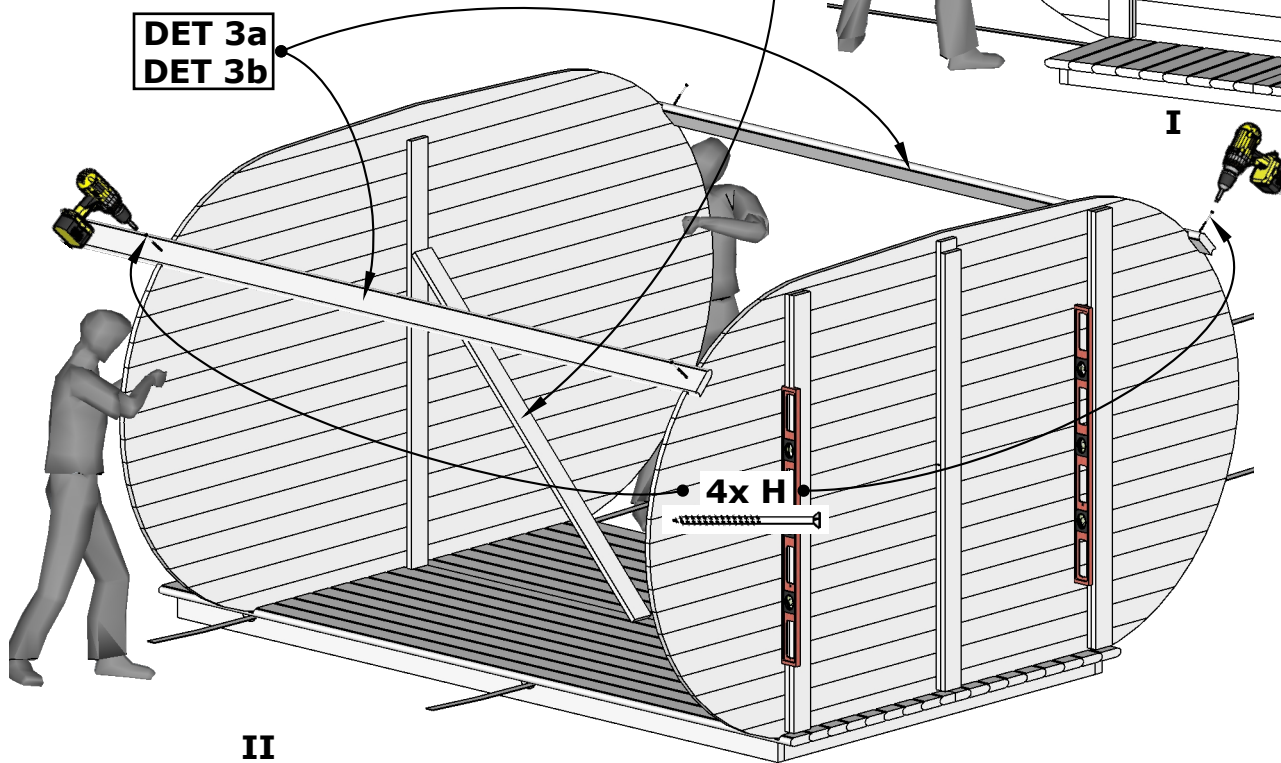
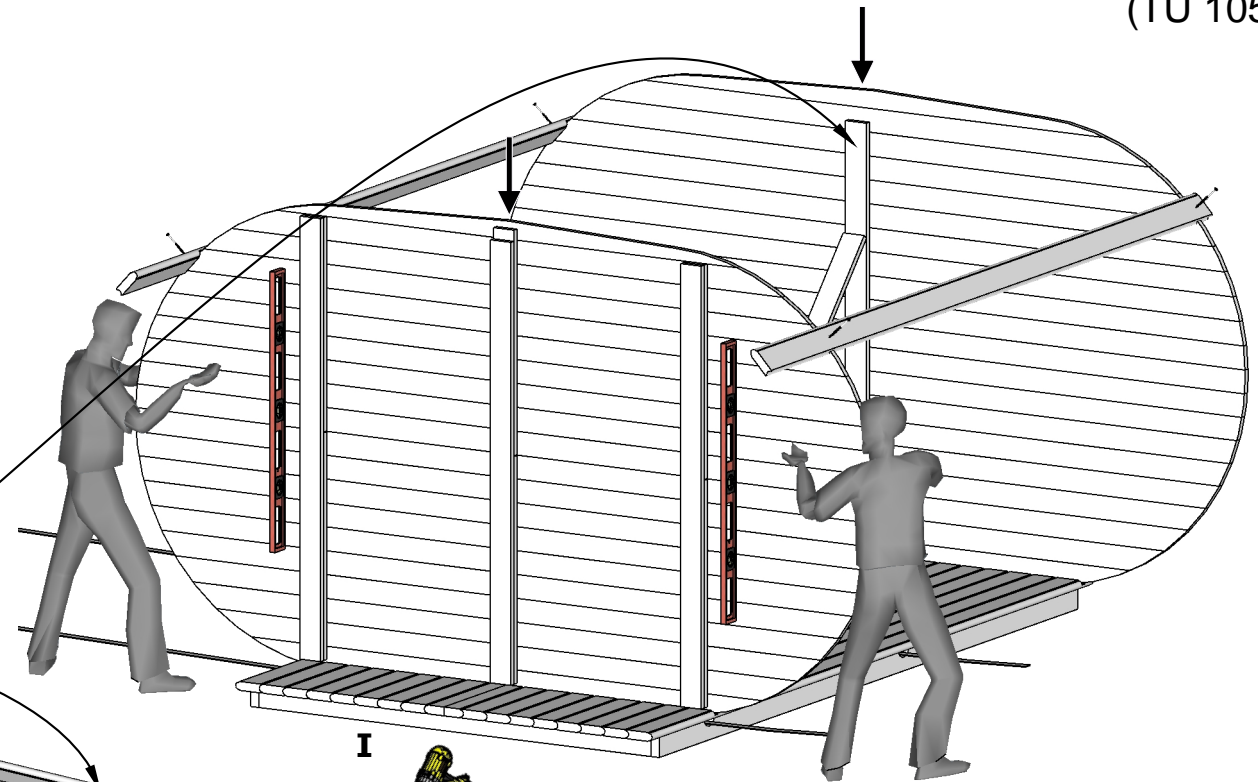
(TU 105)



NB! Cut some boards from pallet, to support and fix walls if necessary!

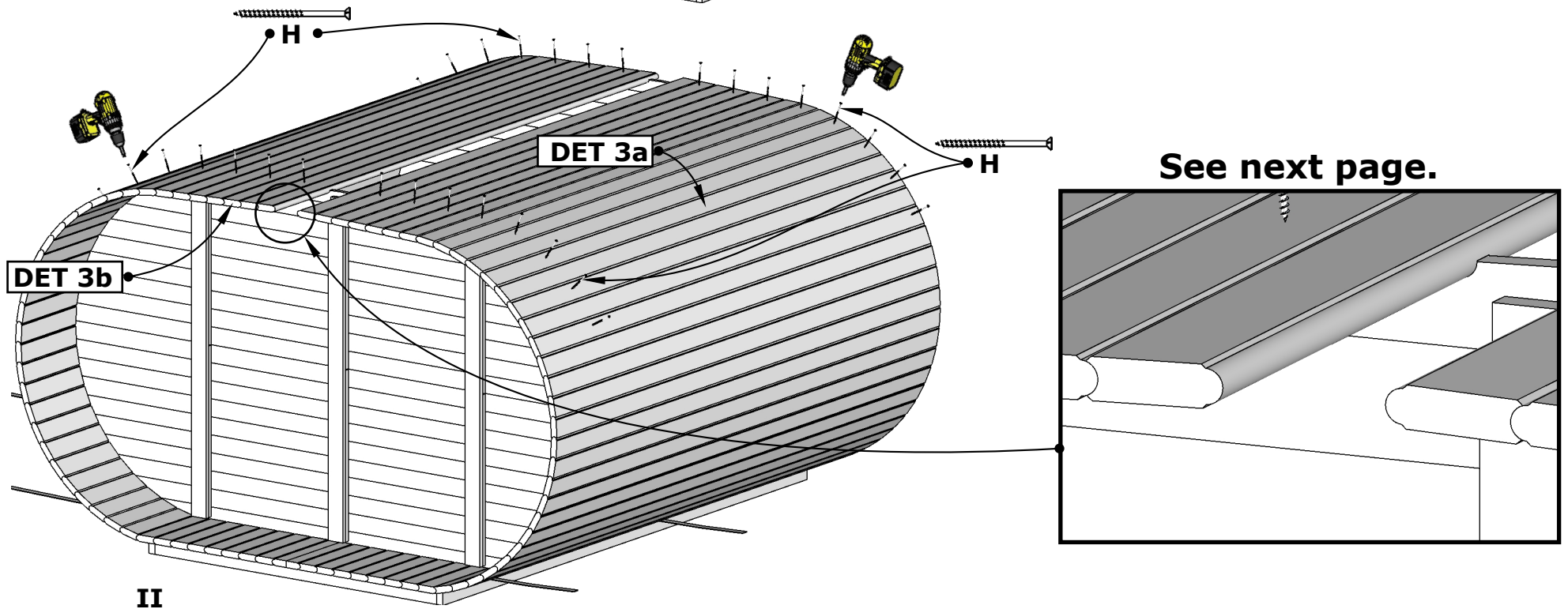
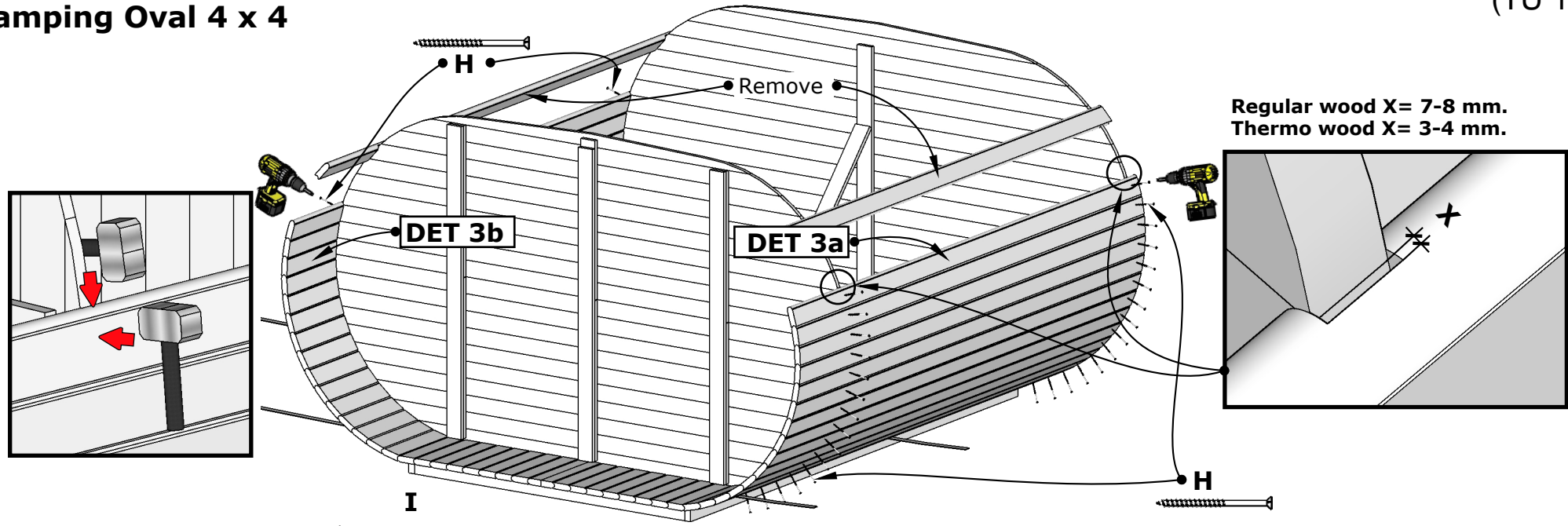
Fix temporarily to support walls.

**DET 3a**  
**DET 3b**



# Camping Oval 4 x 4

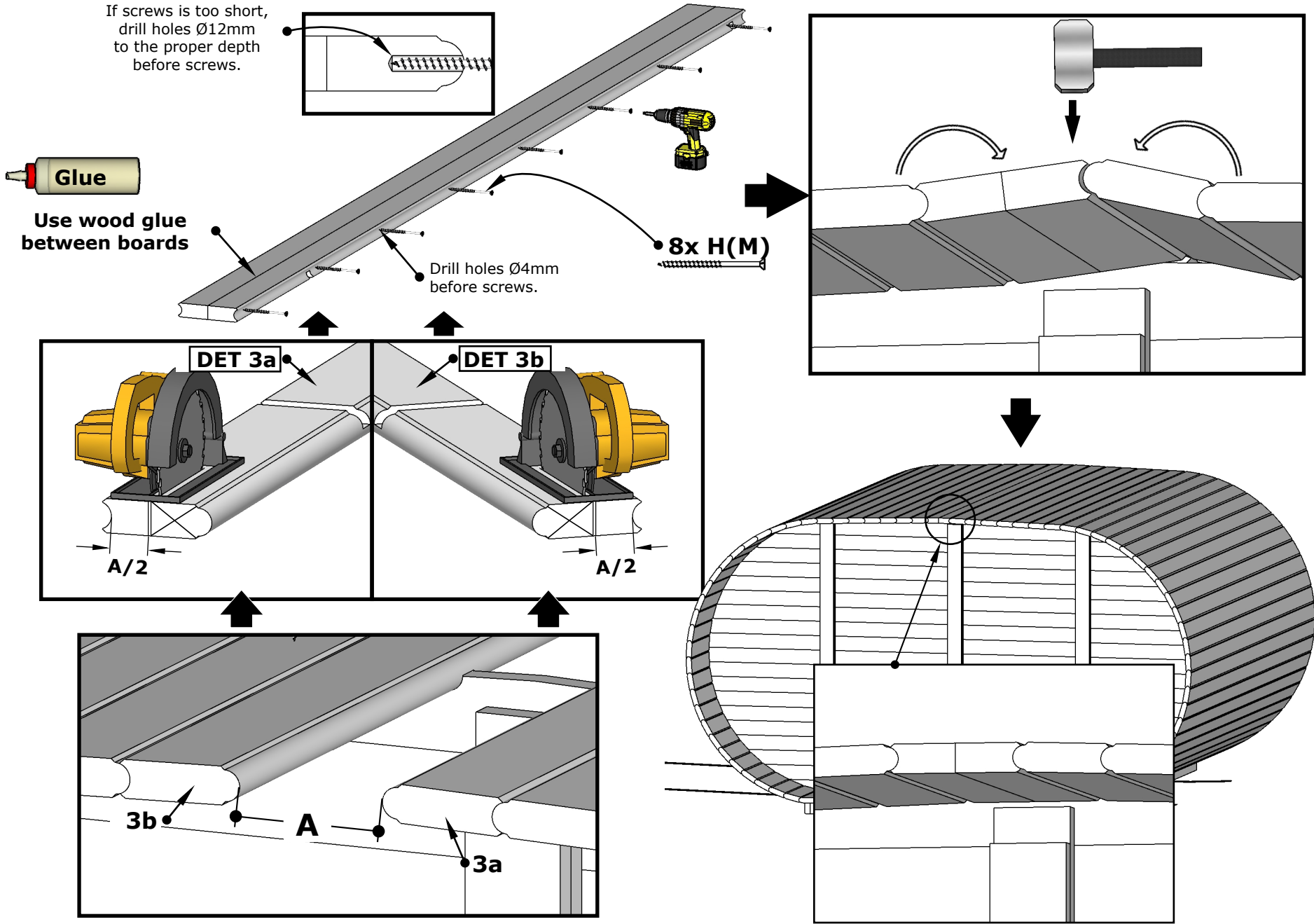
(TU 105)



5.

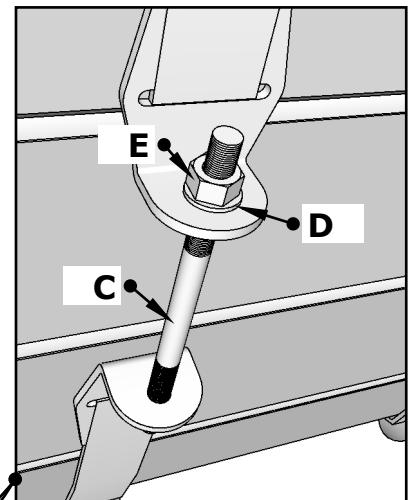
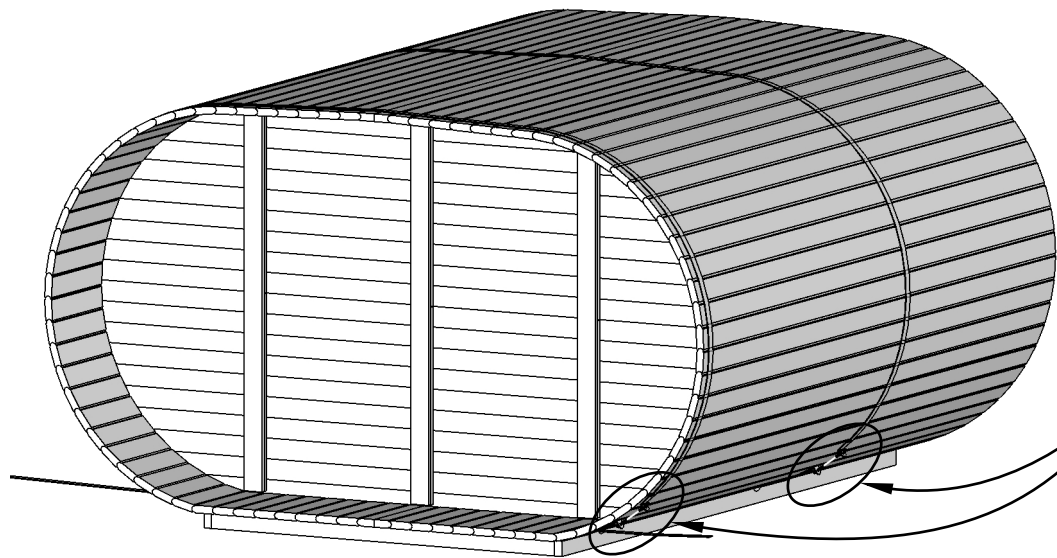
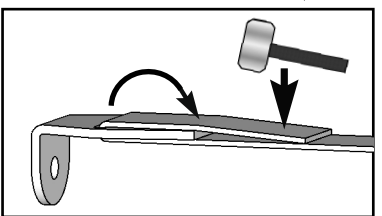
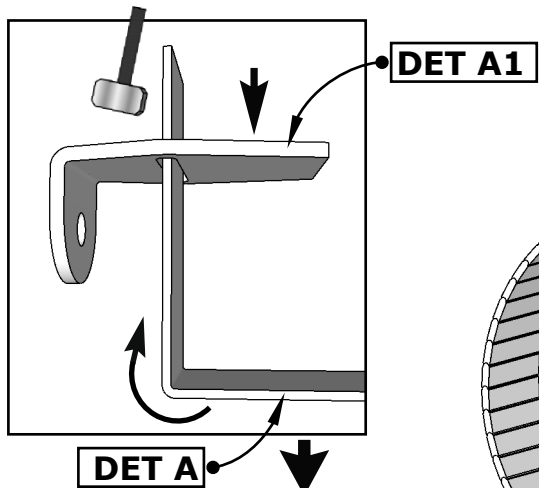
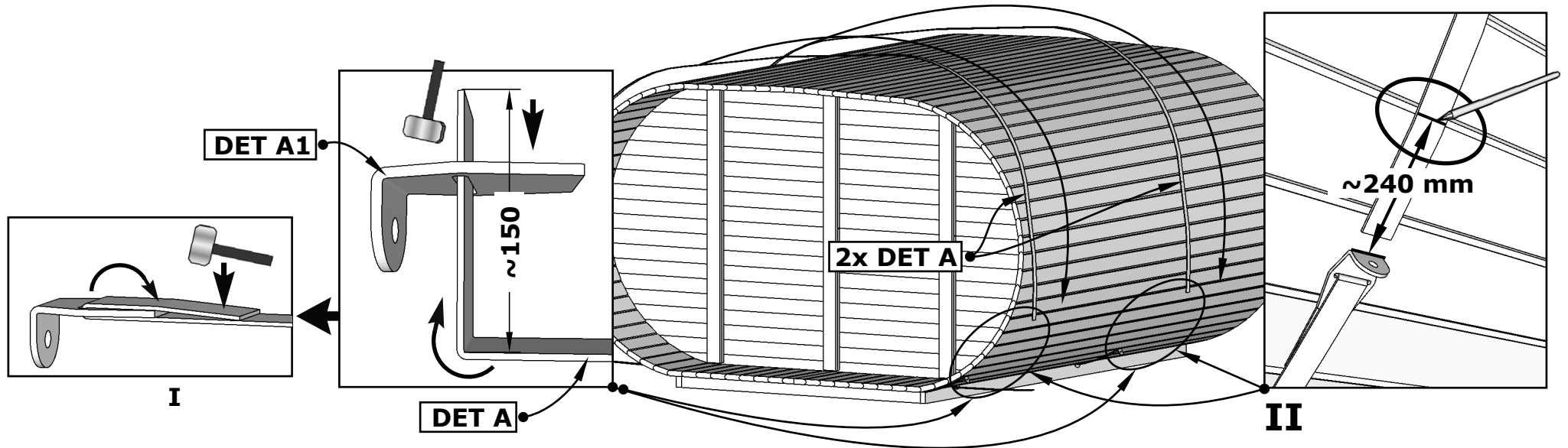


# Camping Oval 4 x 4

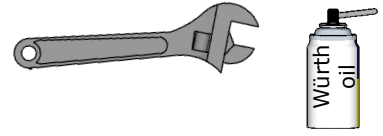


# Camping Oval 4 x 4

(TU 105)



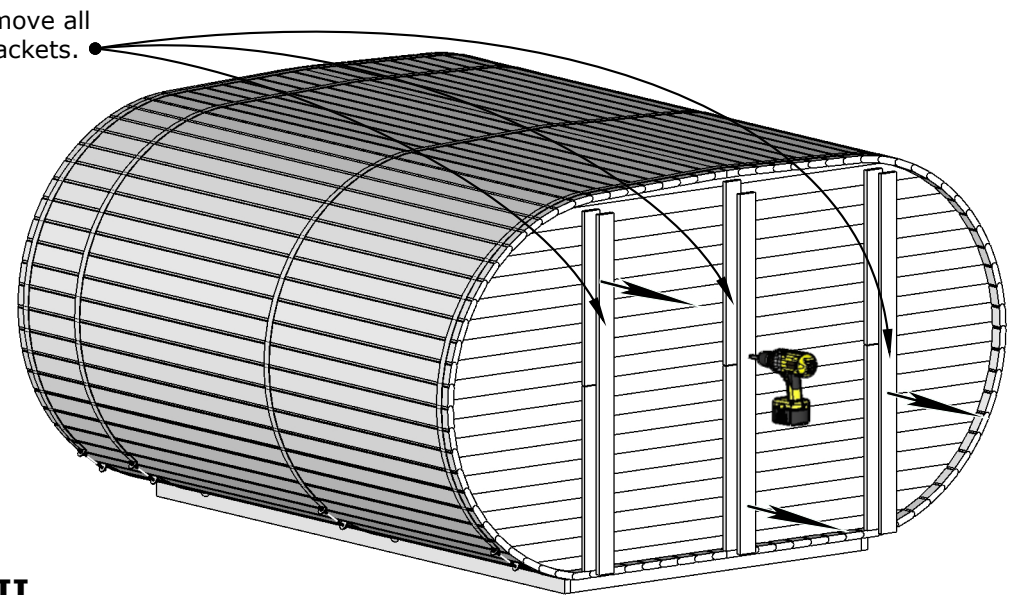
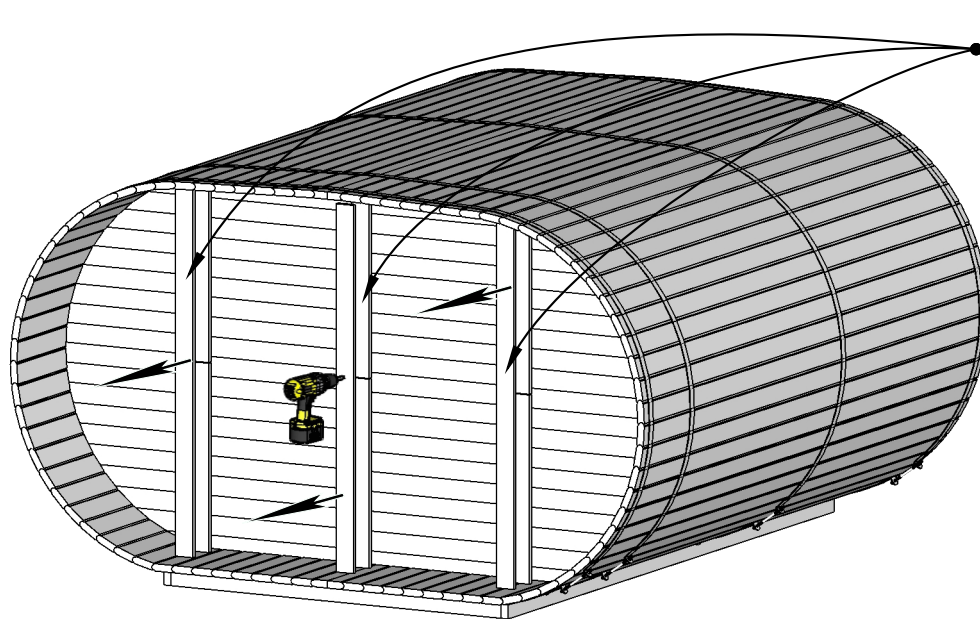
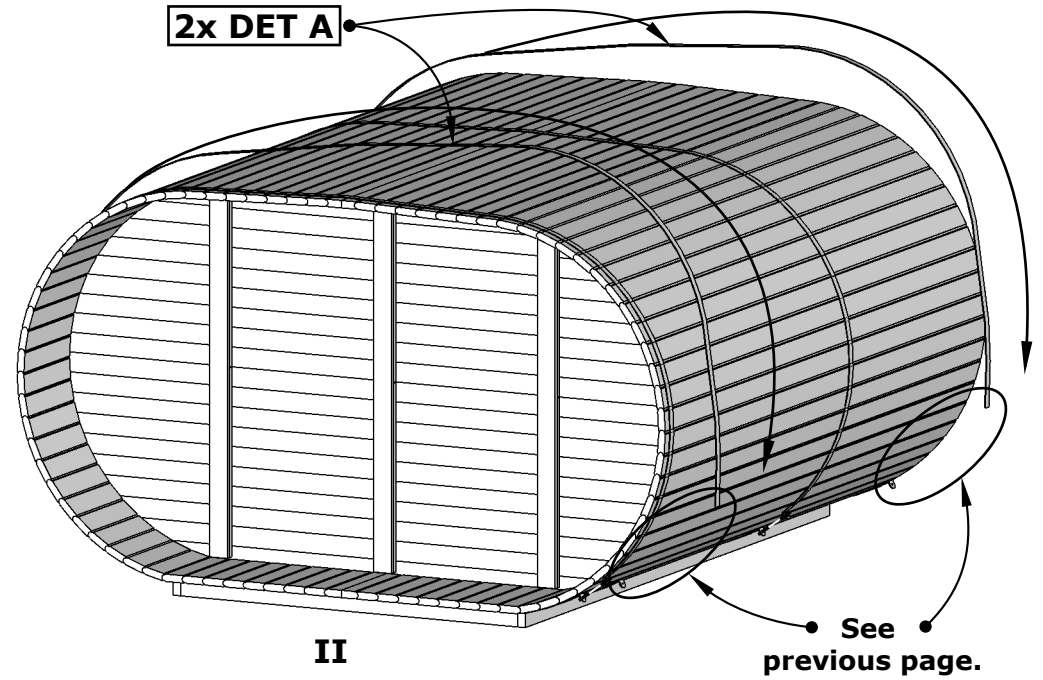
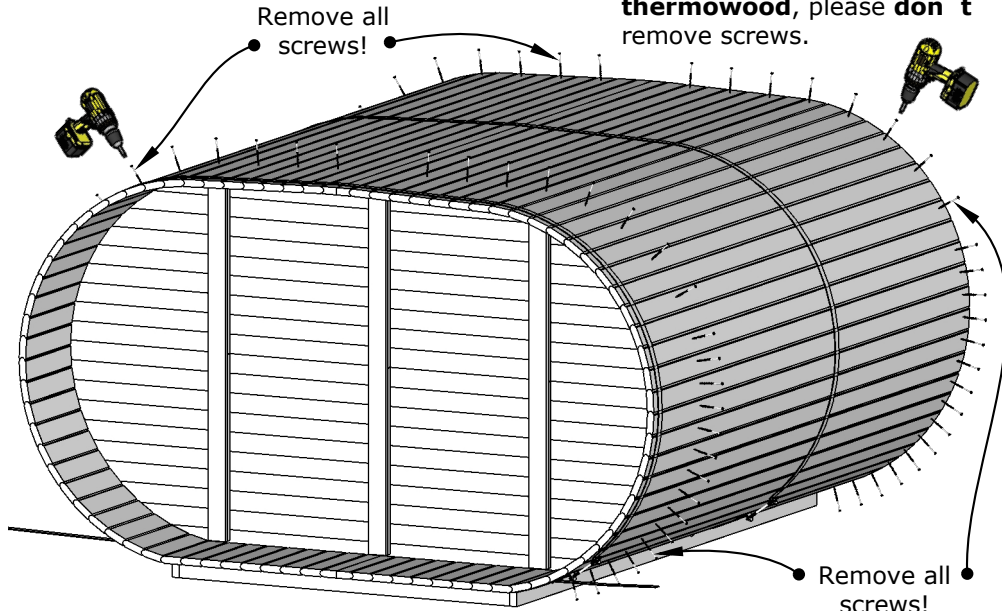
During assembly and retightening the threaded rods, use oil (Würth HPS 1400 or similar) to avoid "cold welding" and it is also easier tightening.



# Camping Oval 4 x 4

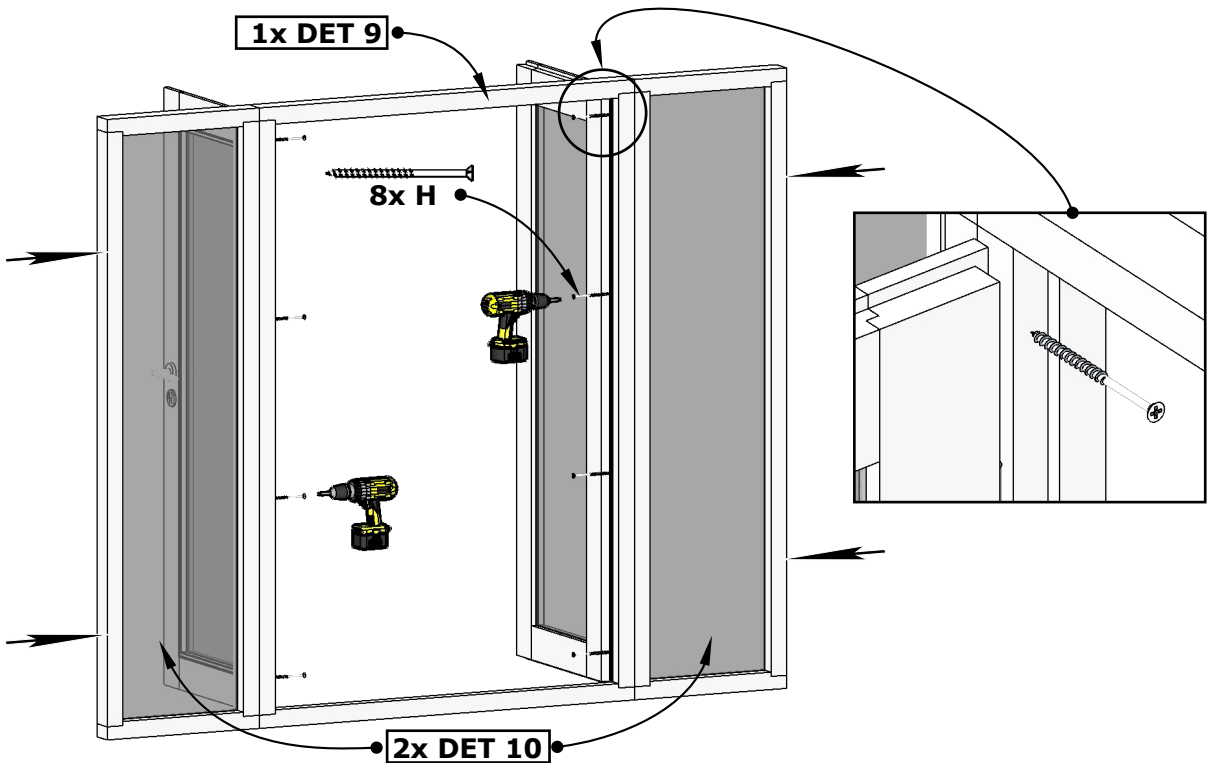
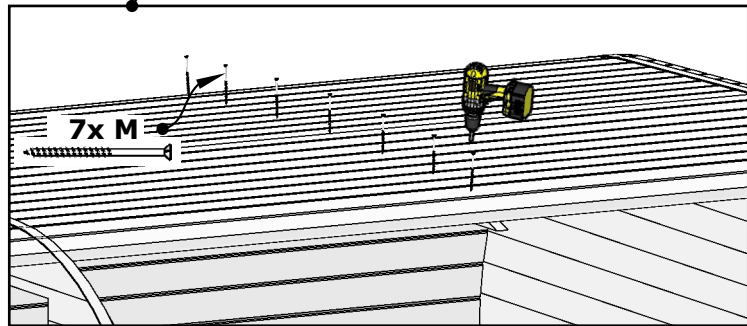
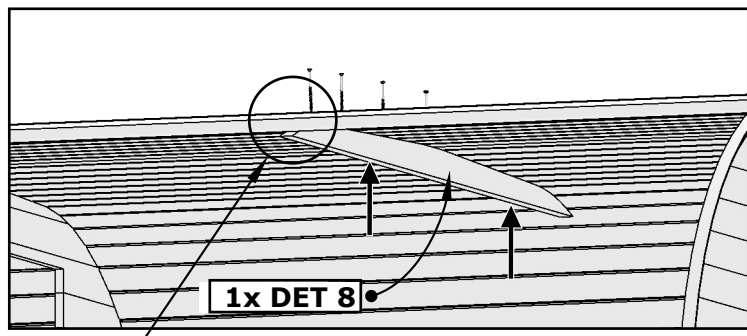
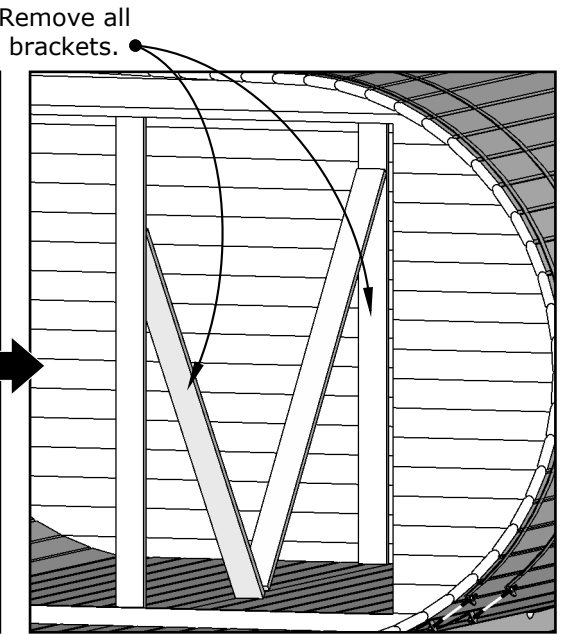
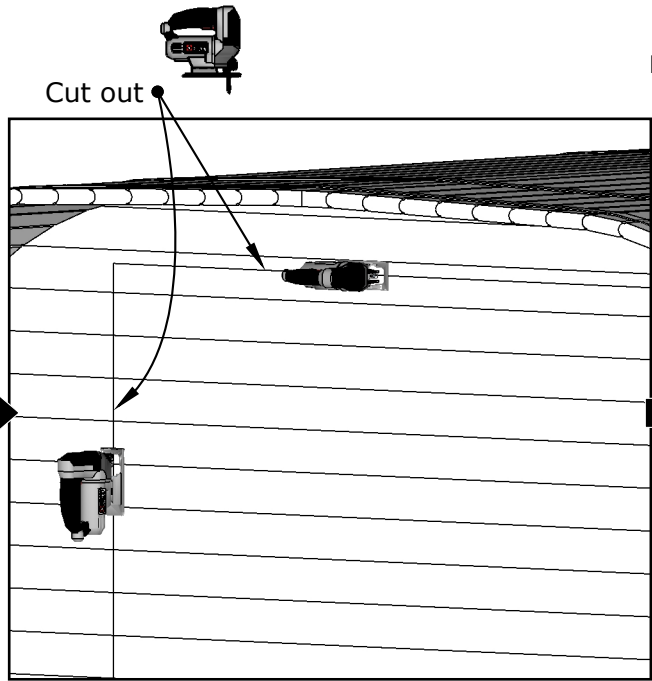
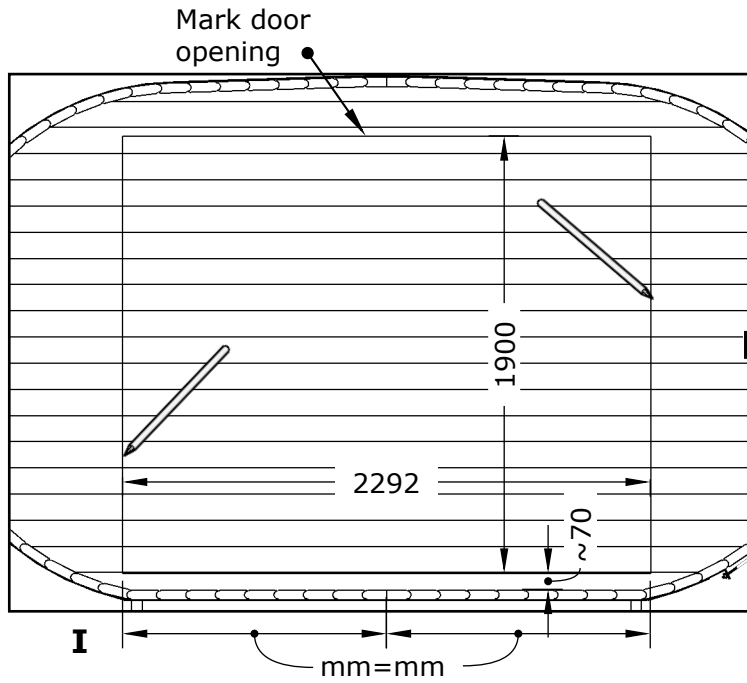
(TU 105)

NB! If Your camping is from **thermowood**, please **don't** remove screws.

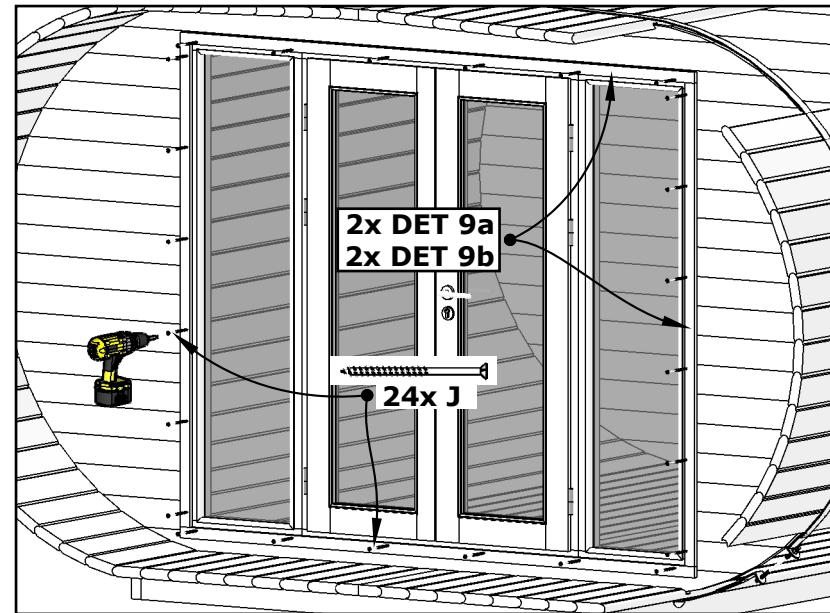
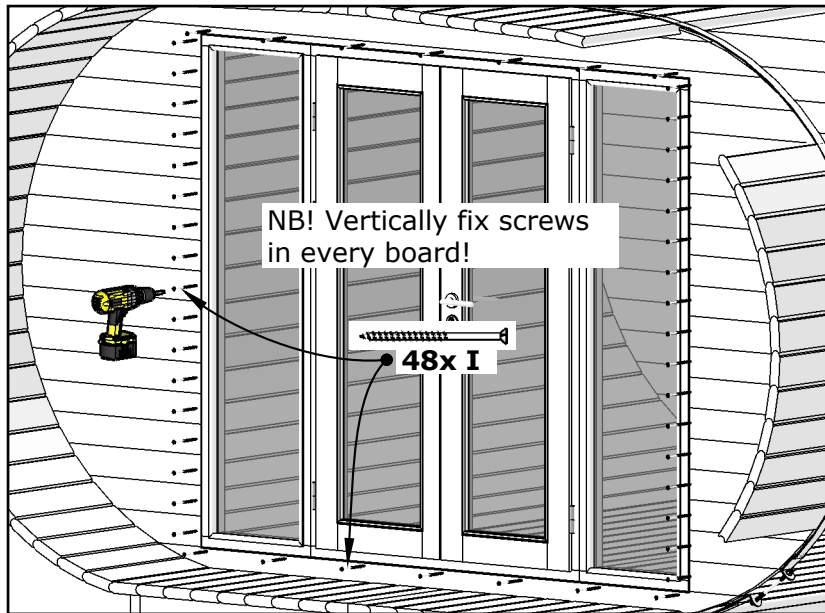
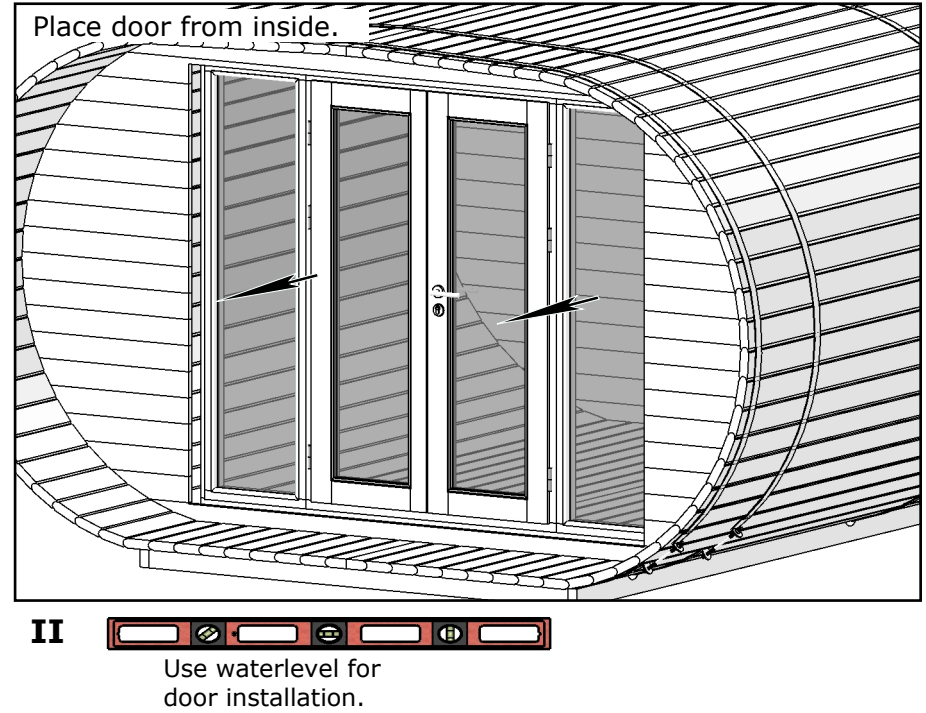
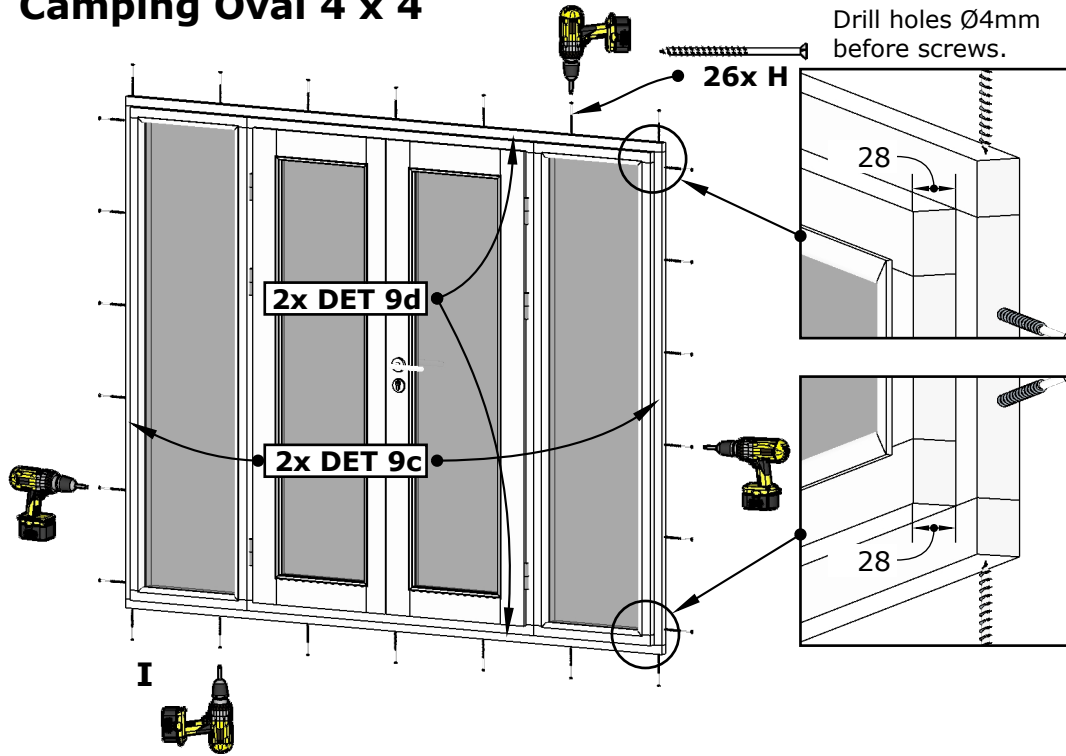


# Camping Oval 4 x 4

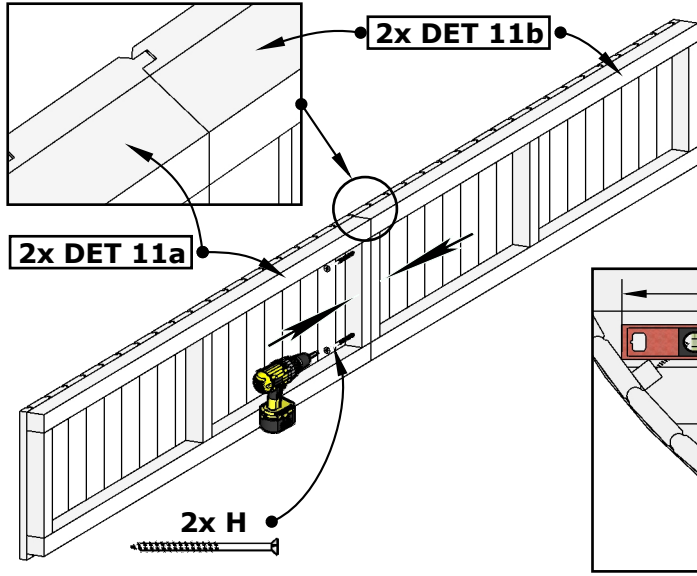
(TU 105)



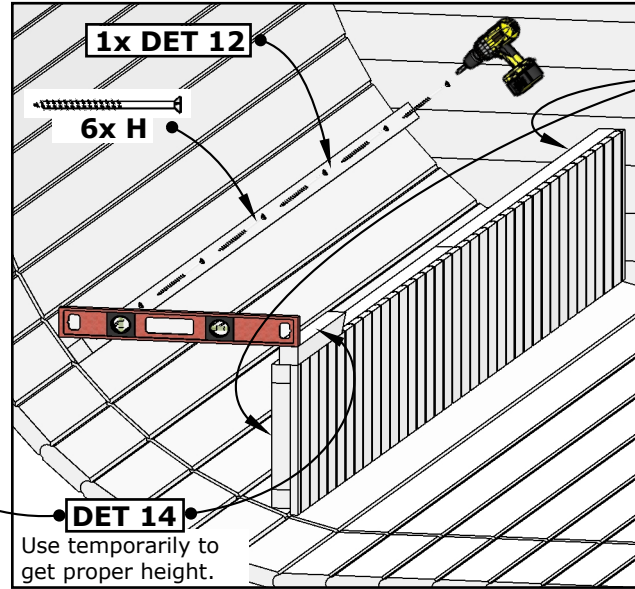
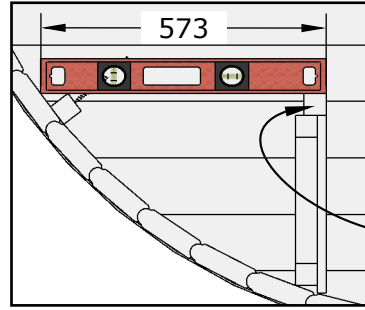
# Camping Oval 4 x 4



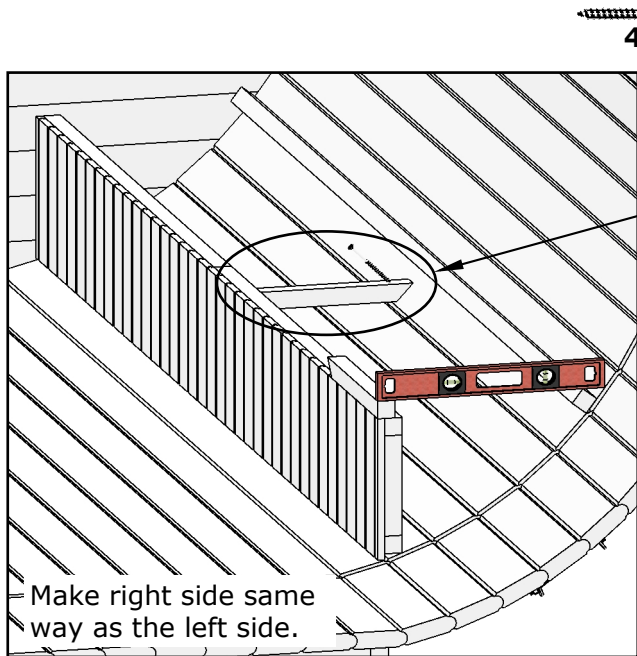
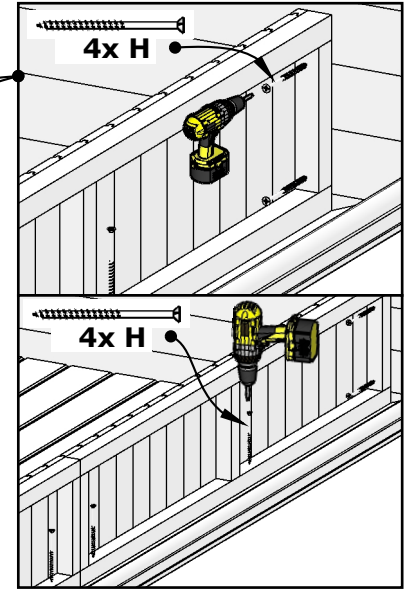
# Camping Oval 4 x 4



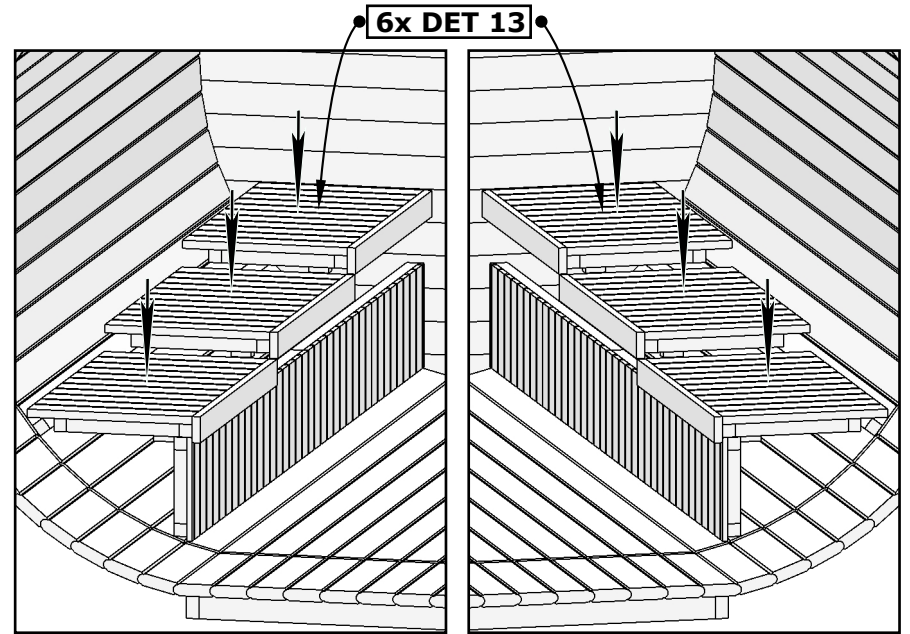
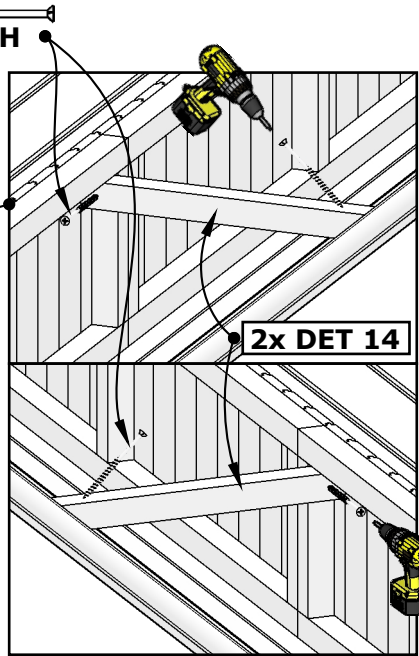
I



II



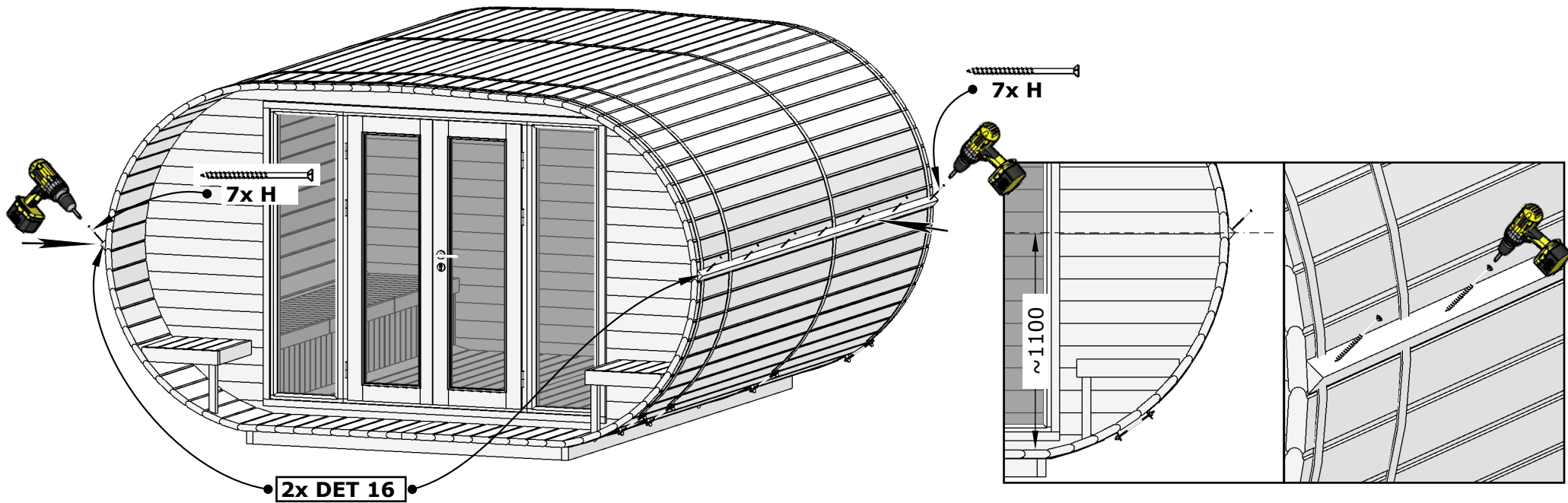
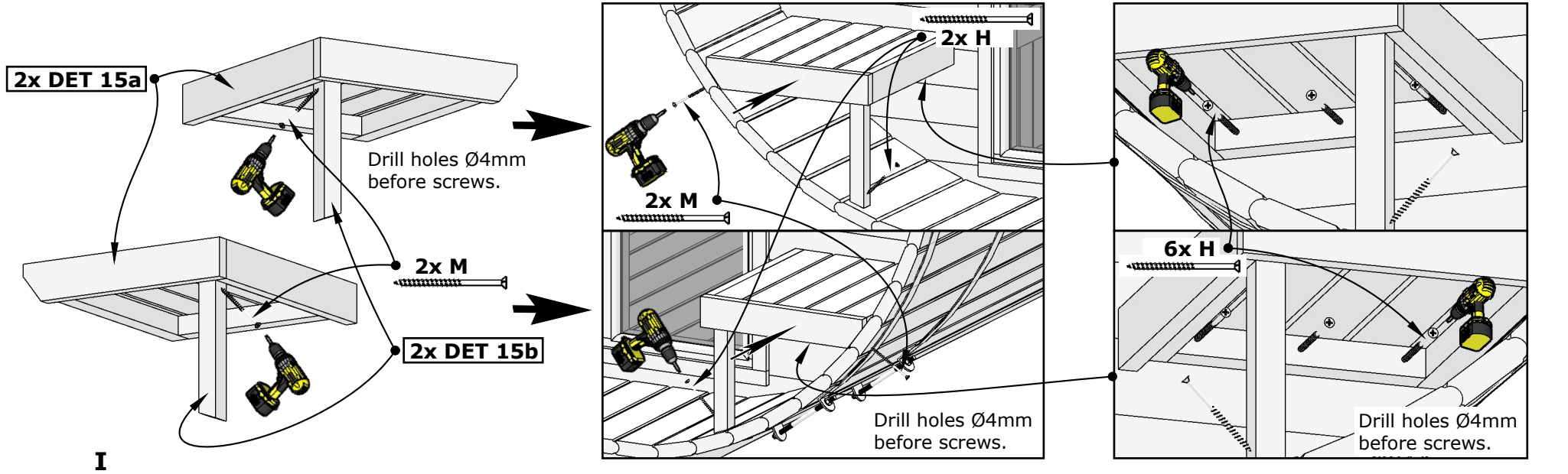
III



IV

# Camping Oval 4 x 4

(TU 105)



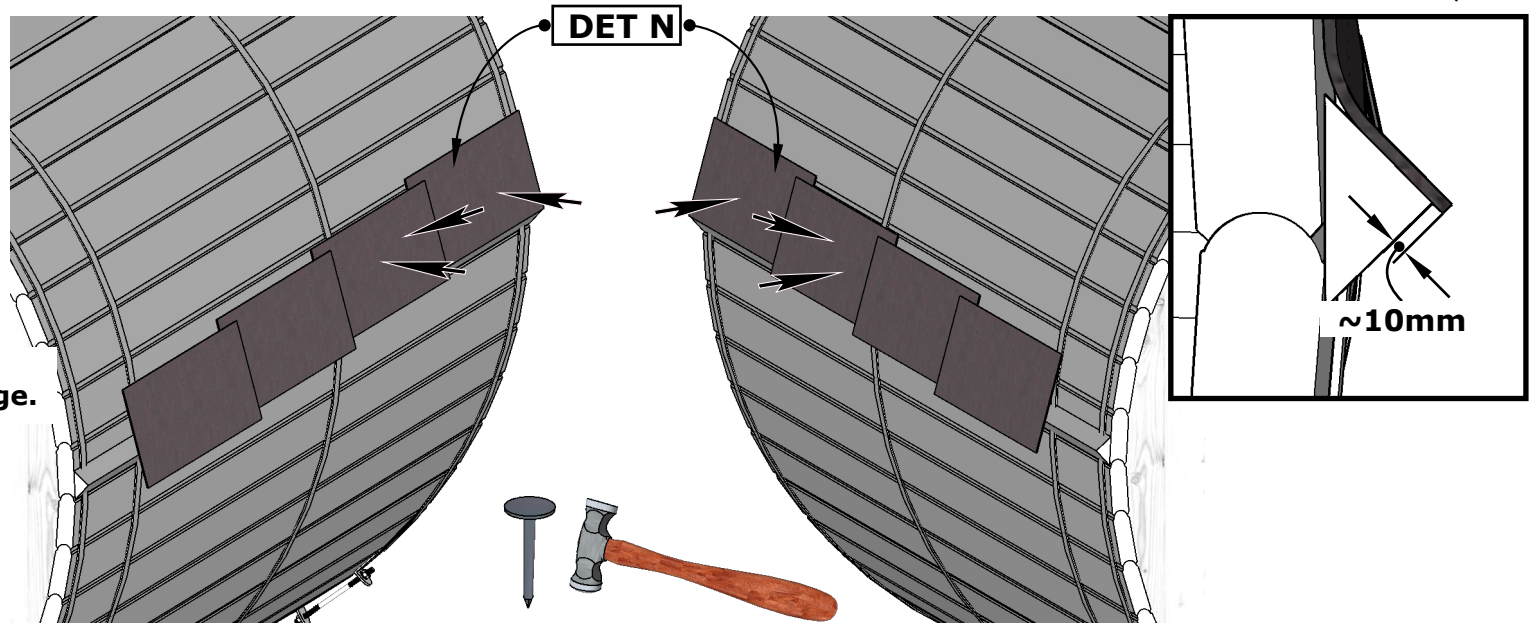
# Camping Oval 4 x 4

(TU 105)

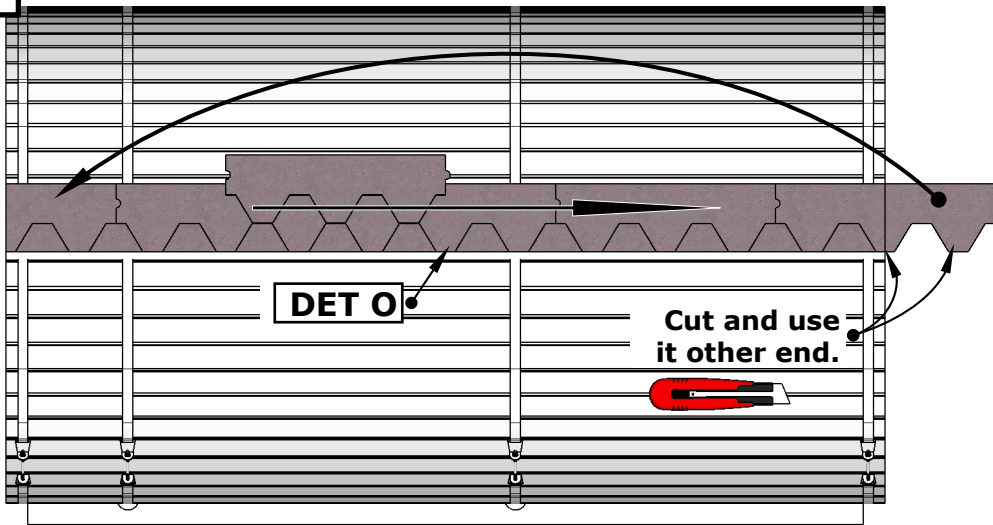


**NB!** Before roof shingles, install underlay felt. Check underlay felt installation manual on extra pages.

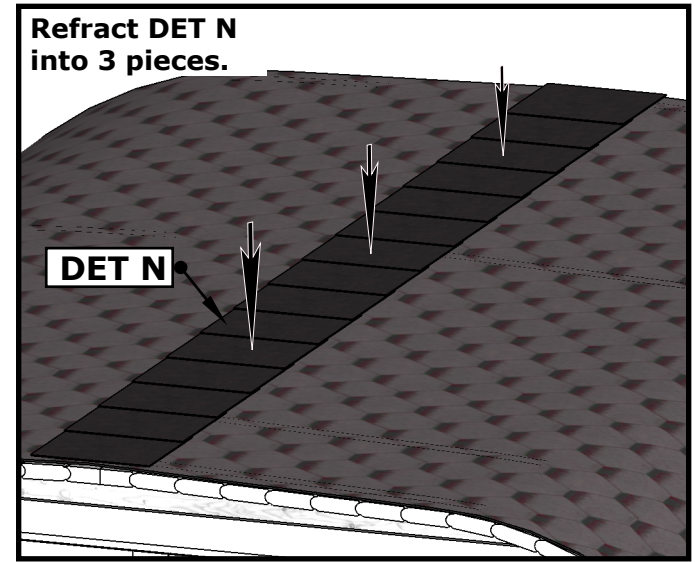
Check also roof shingles installation manual inside package.



I



II



III



# Camping Oval 4 x 4

(TU 105)

