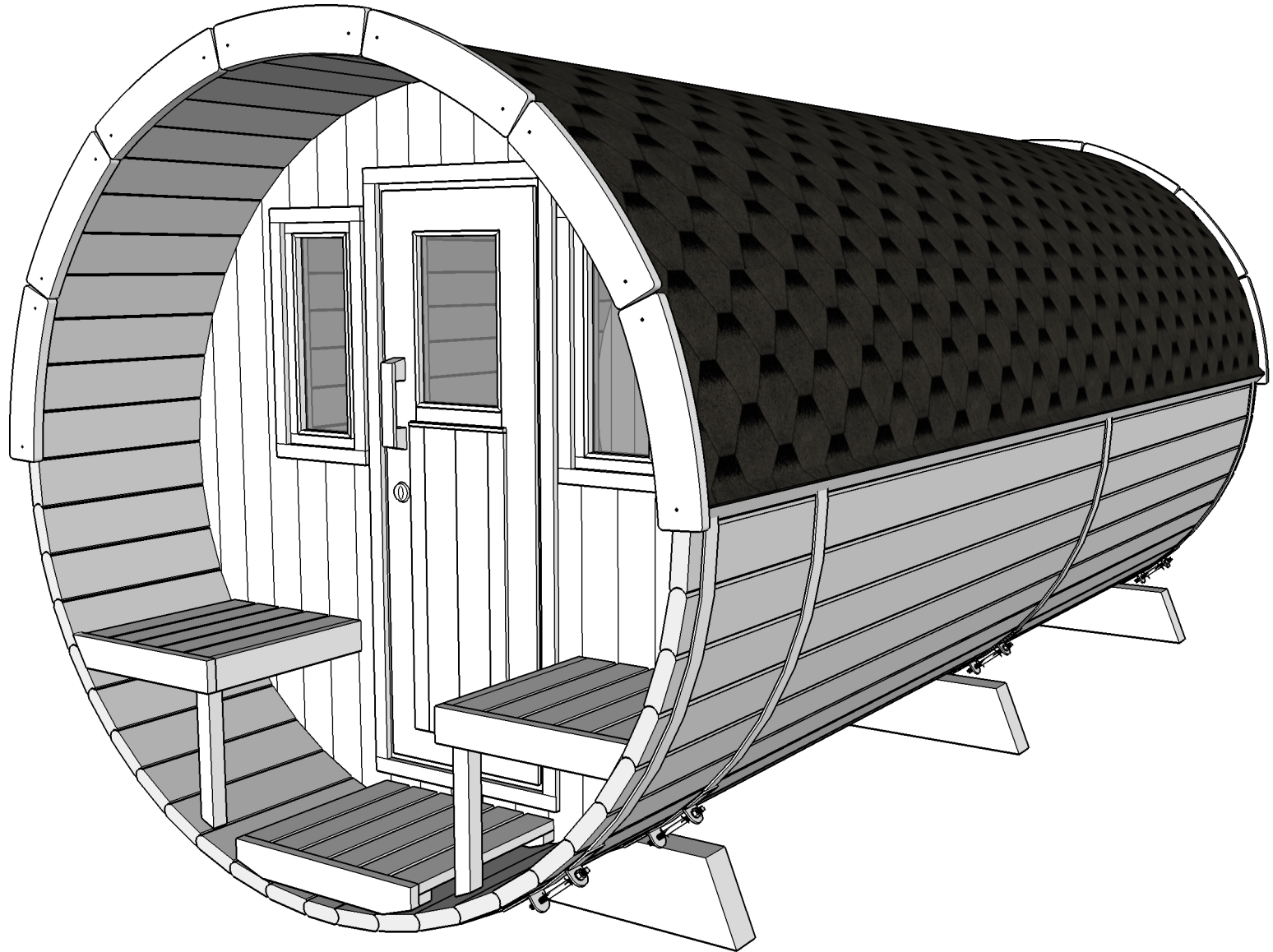
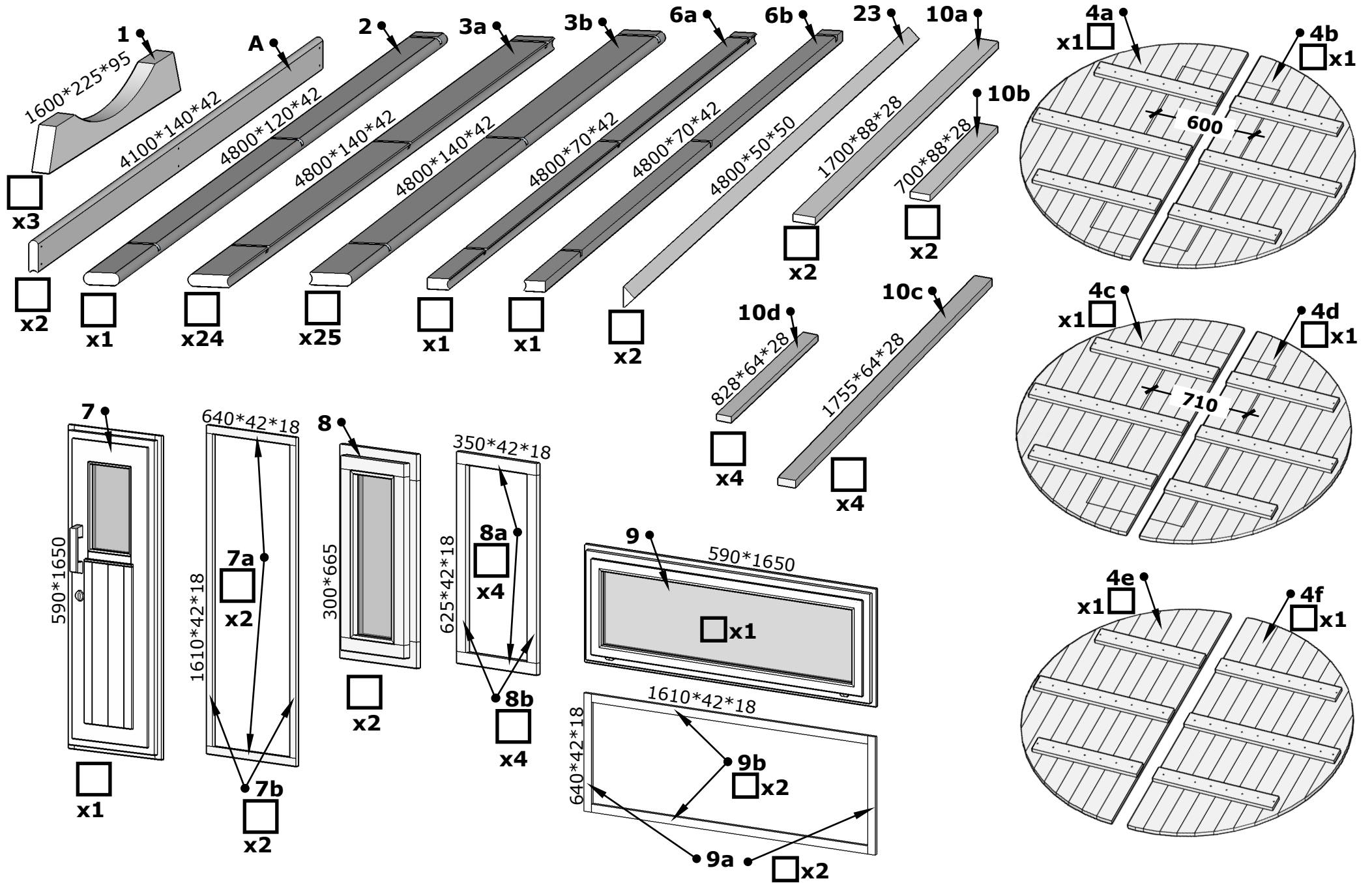


Camping 480, D210



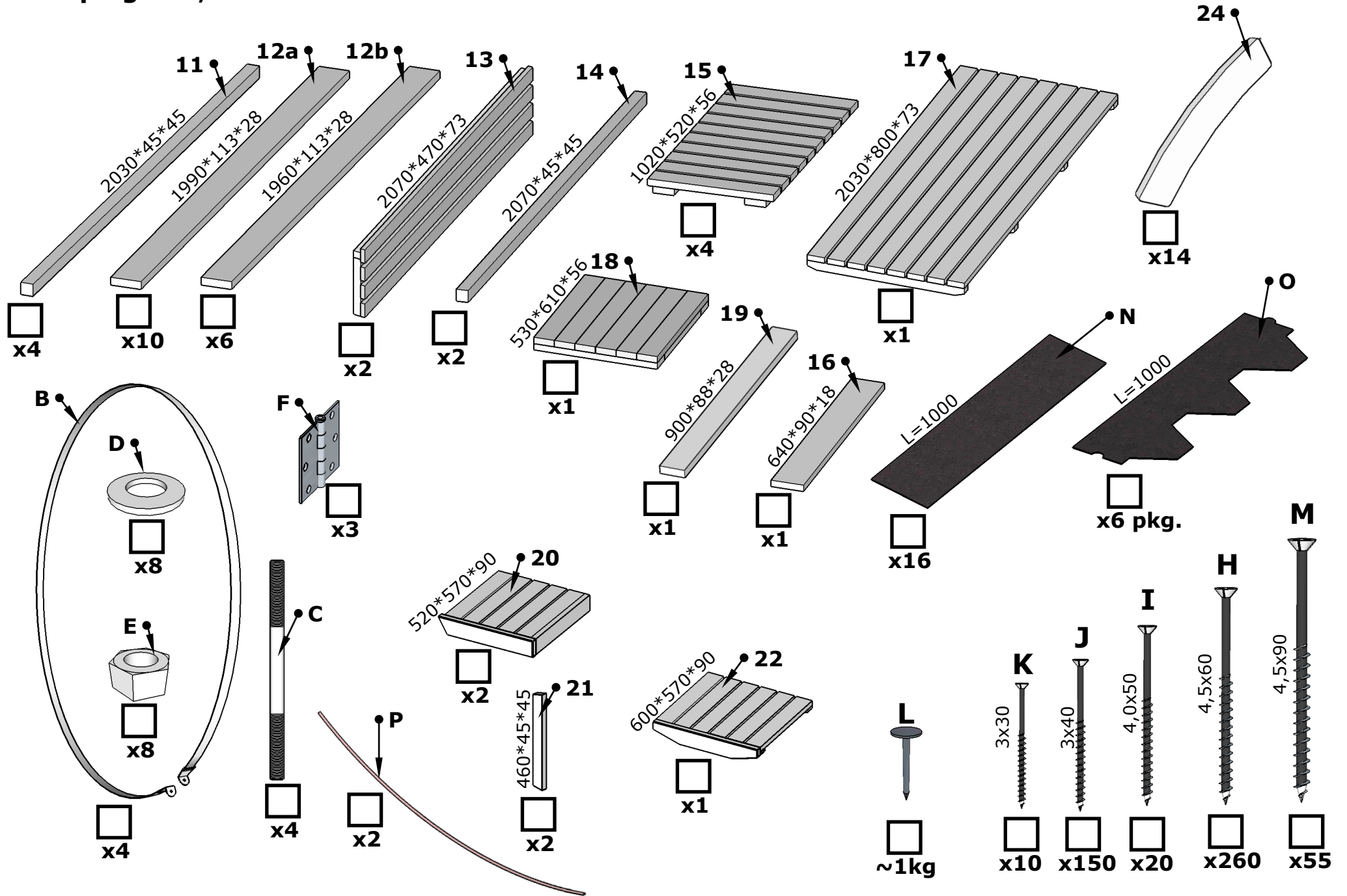
Camping 480, D 210

Details list nr.1



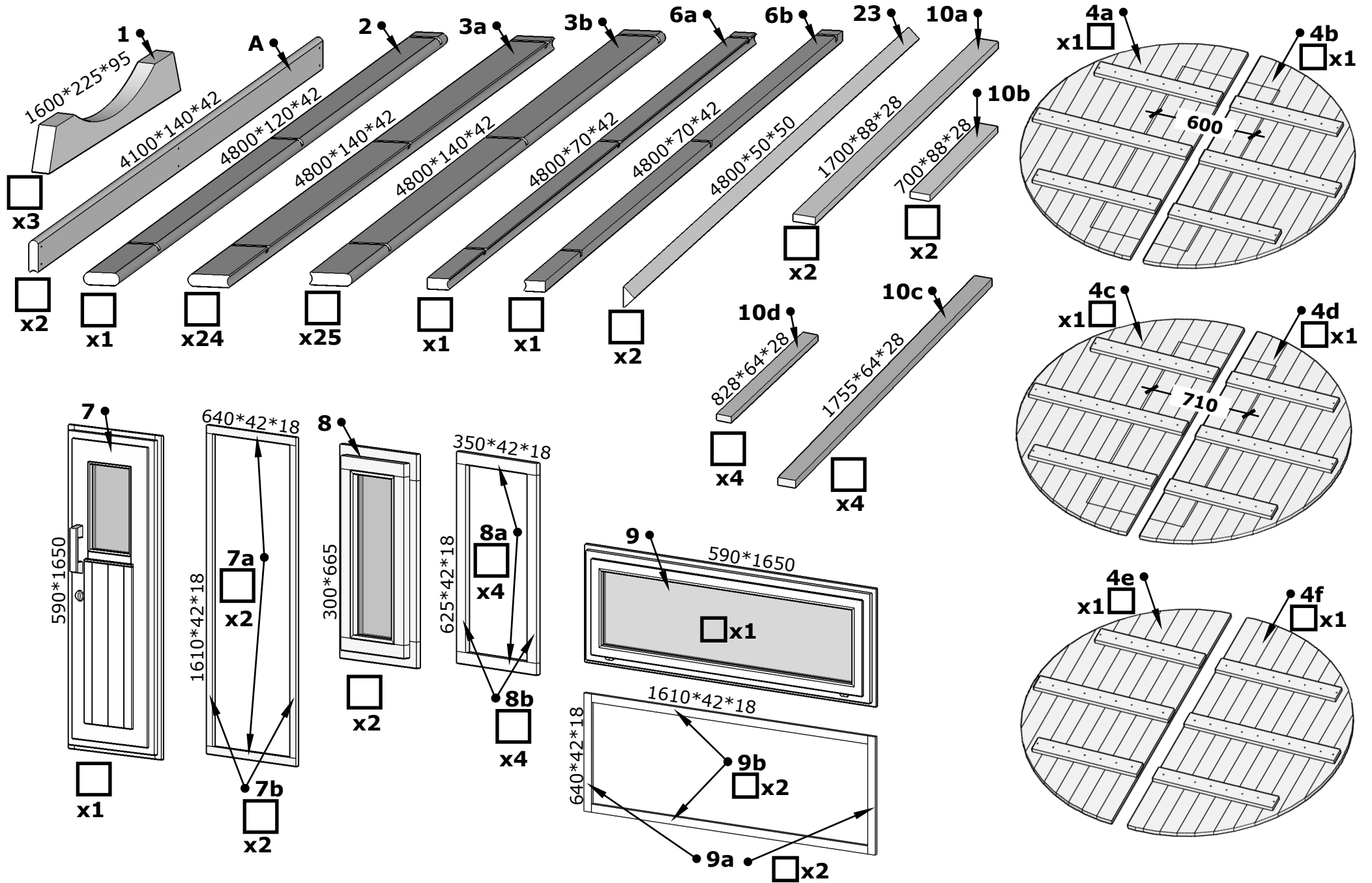
Camping 480, D 210

Details list nr.2



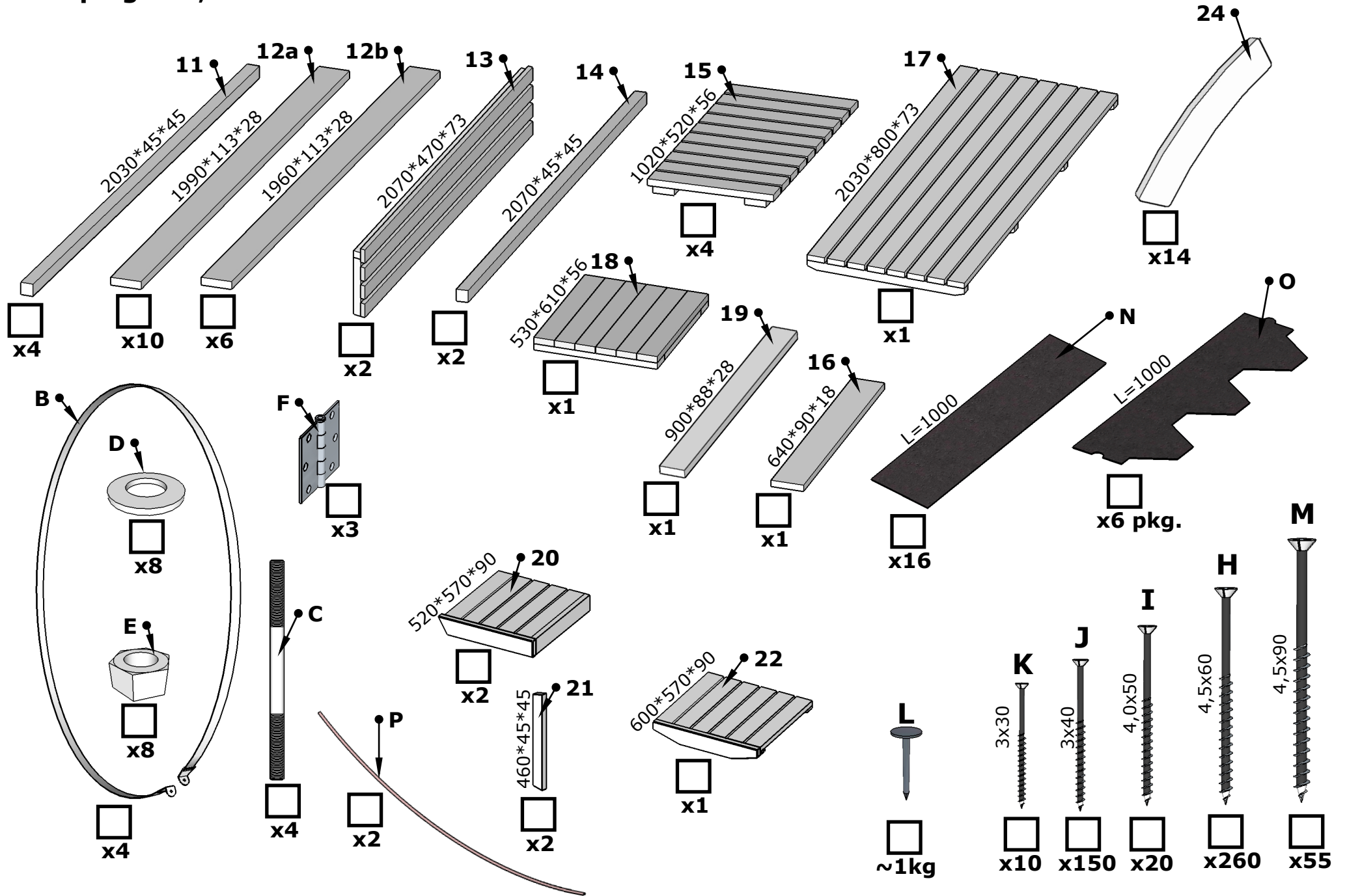
Camping 480, D 210

Details list nr.1

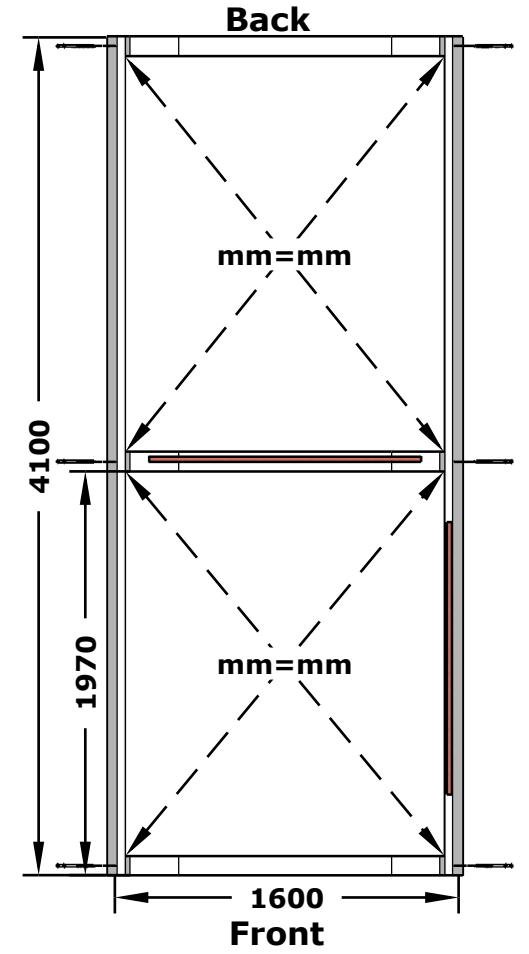
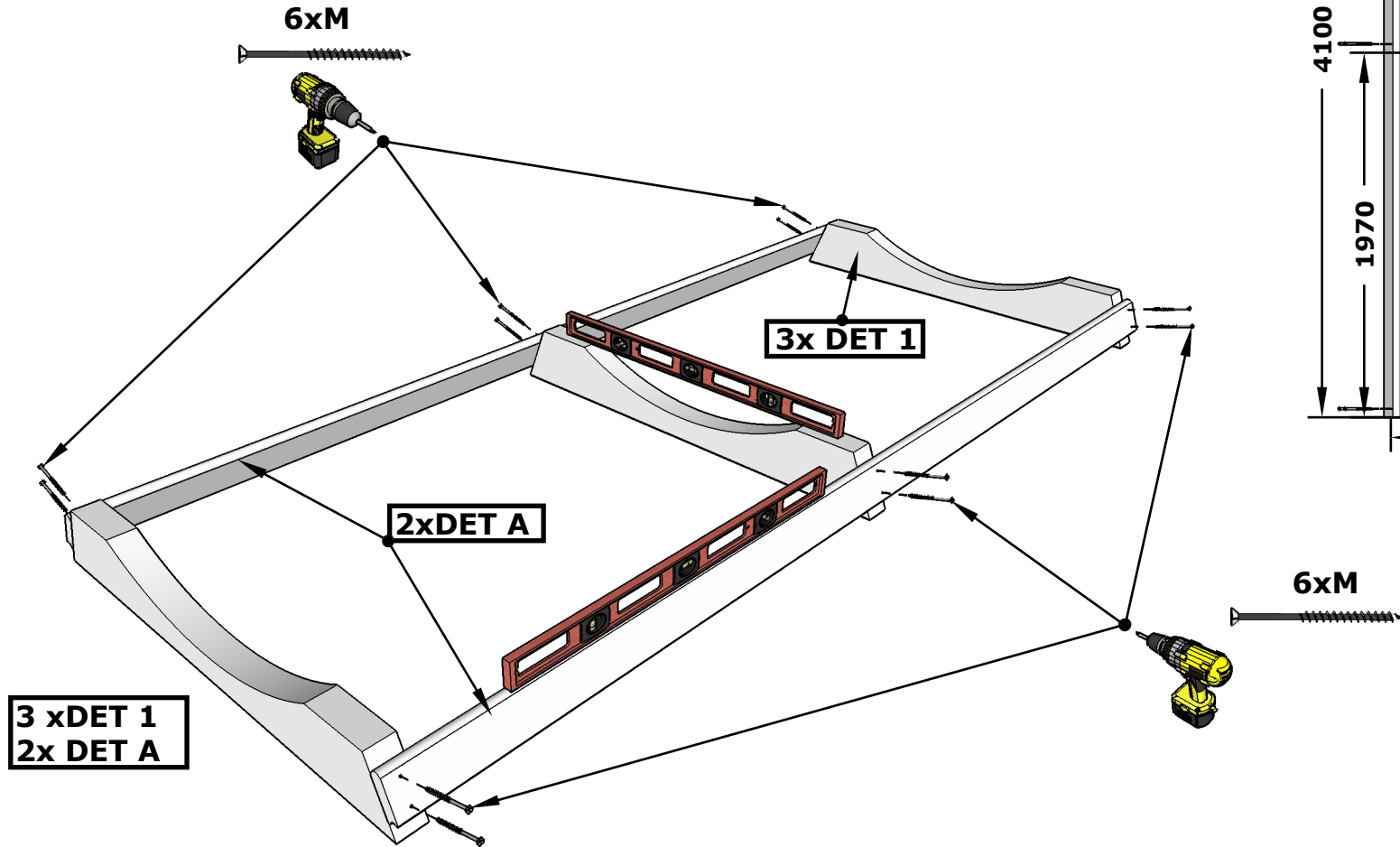


Camping 480, D 210

Details list nr.2



Camping 480, D 210

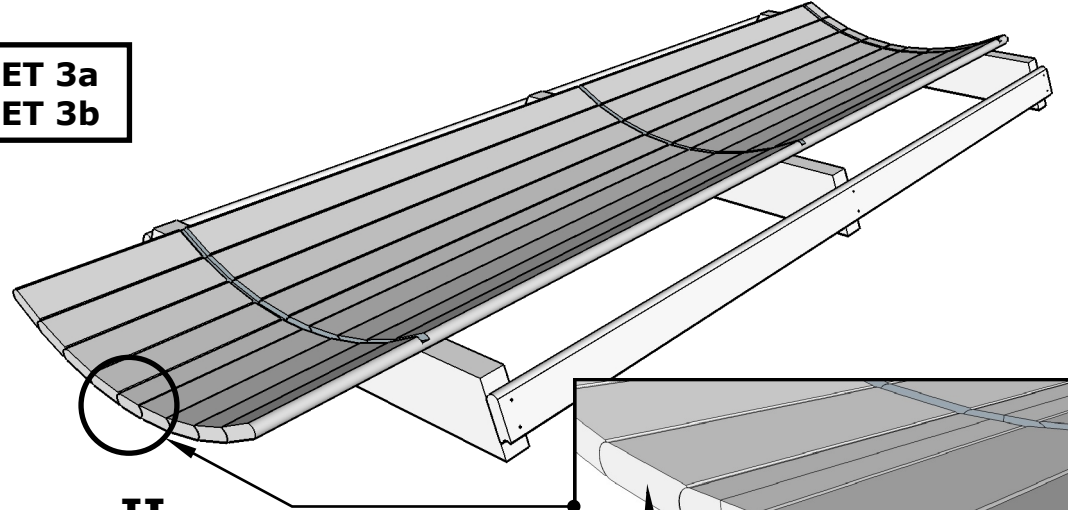


1.

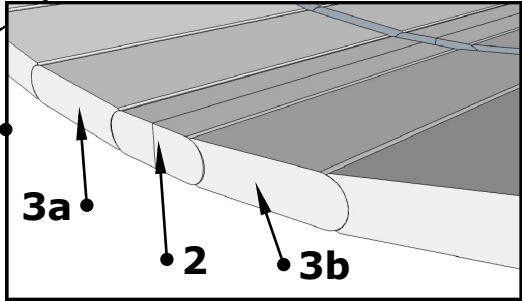
Camping 480, D 210



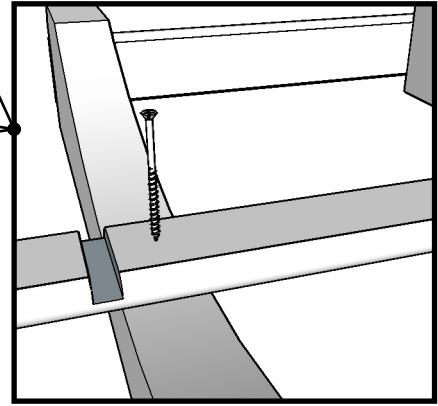
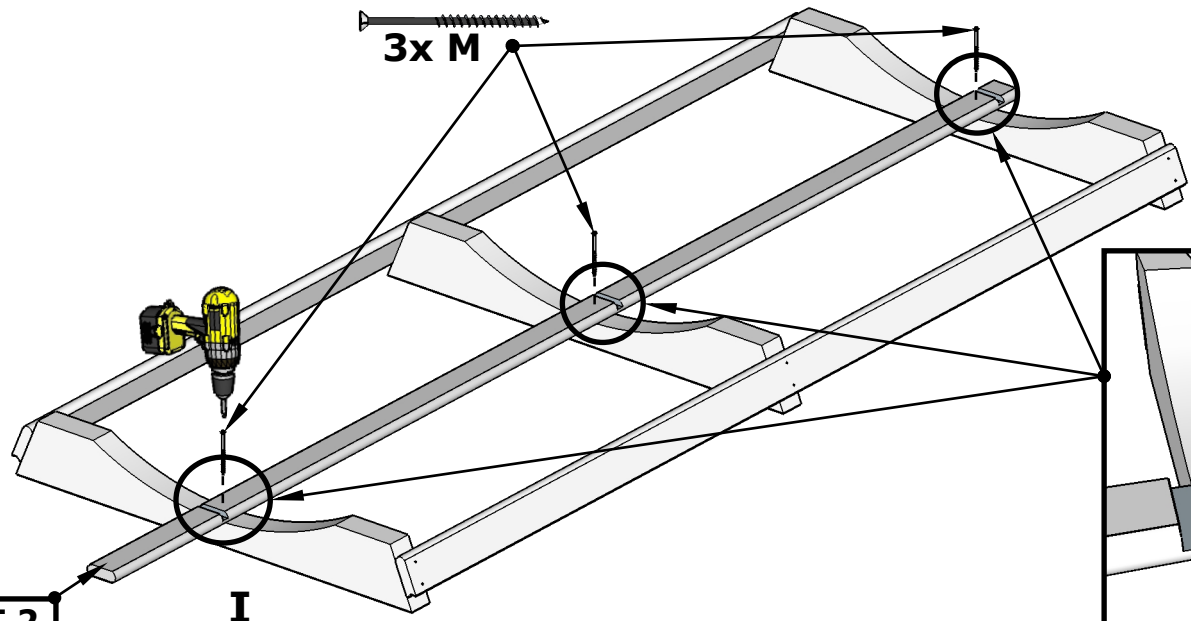
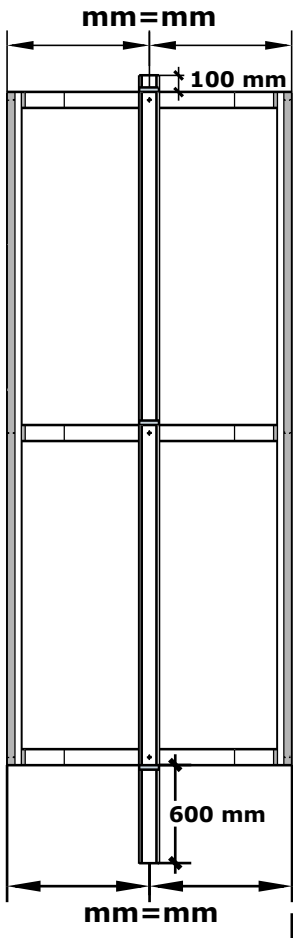
4 x DET 3a
4 x DET 3b



II



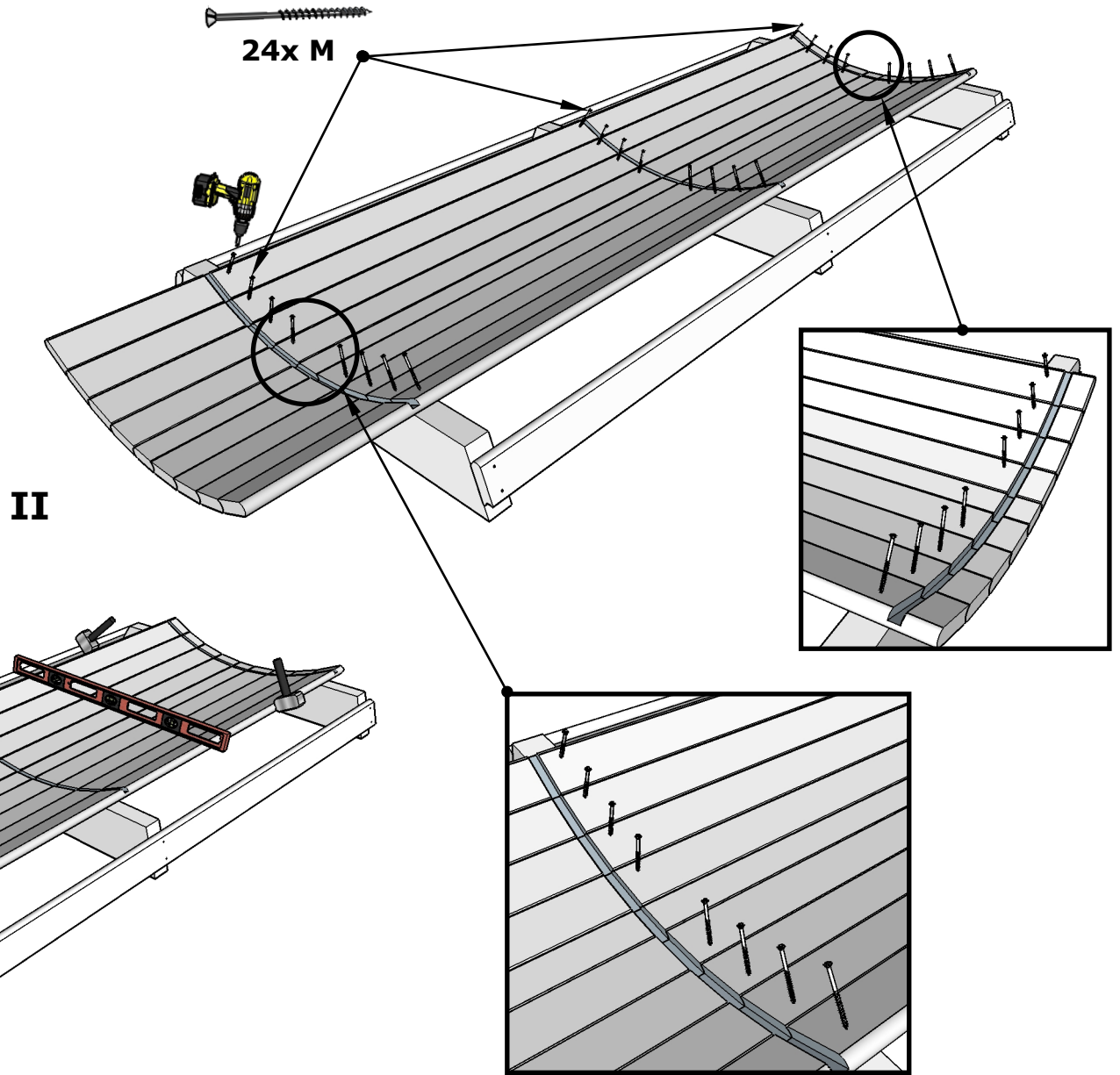
3a
2
3b



1xDET 2

2.

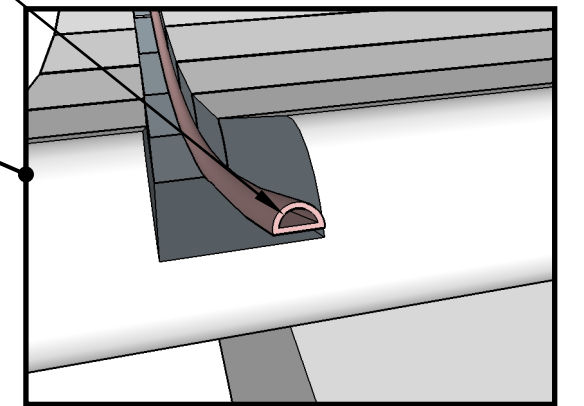
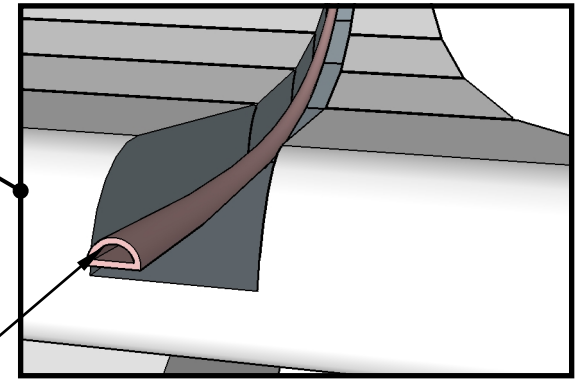
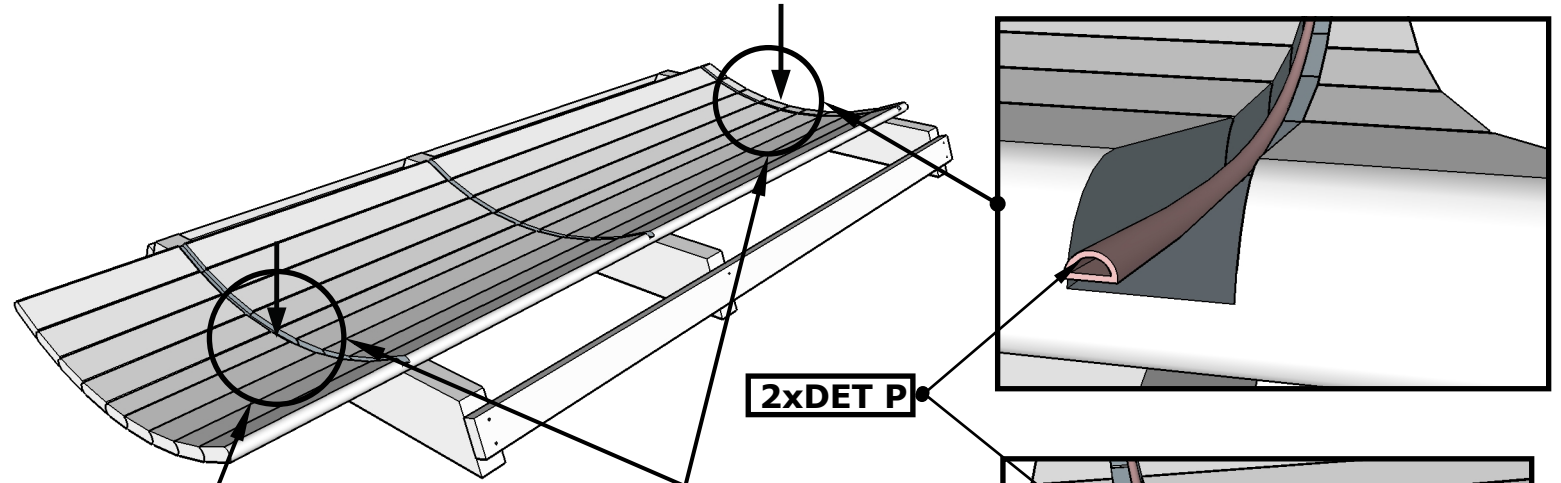
Camping 480, D 210



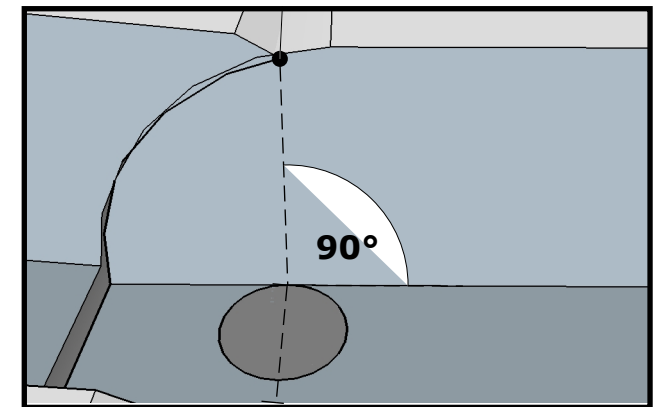
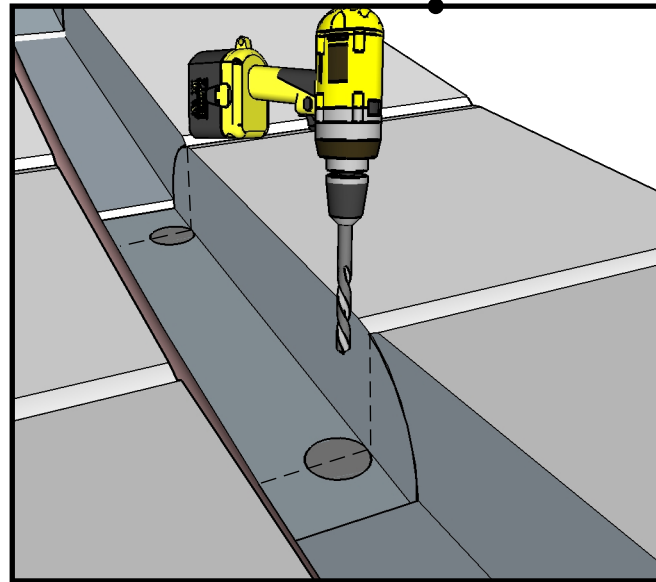
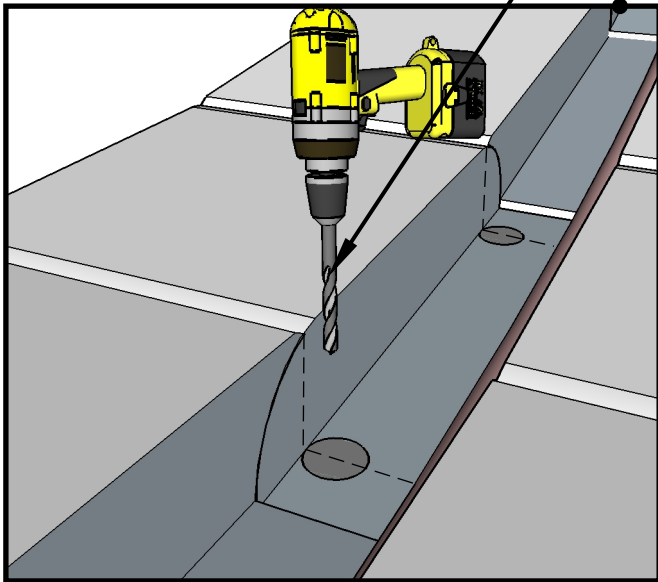
3.

I

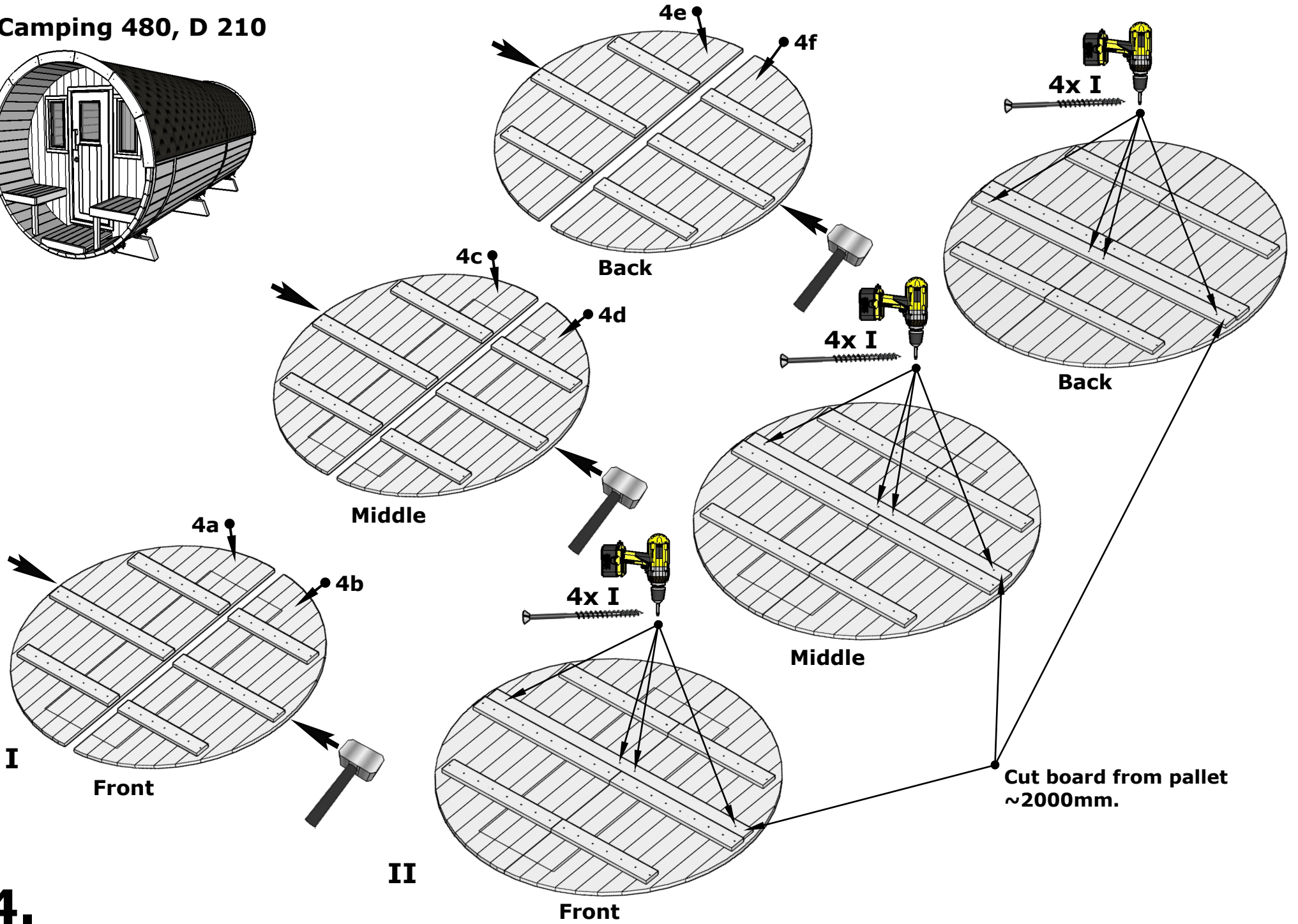
Camping 480, D 210



**Drill 4 holes
in DET 2 Ø10 mm**

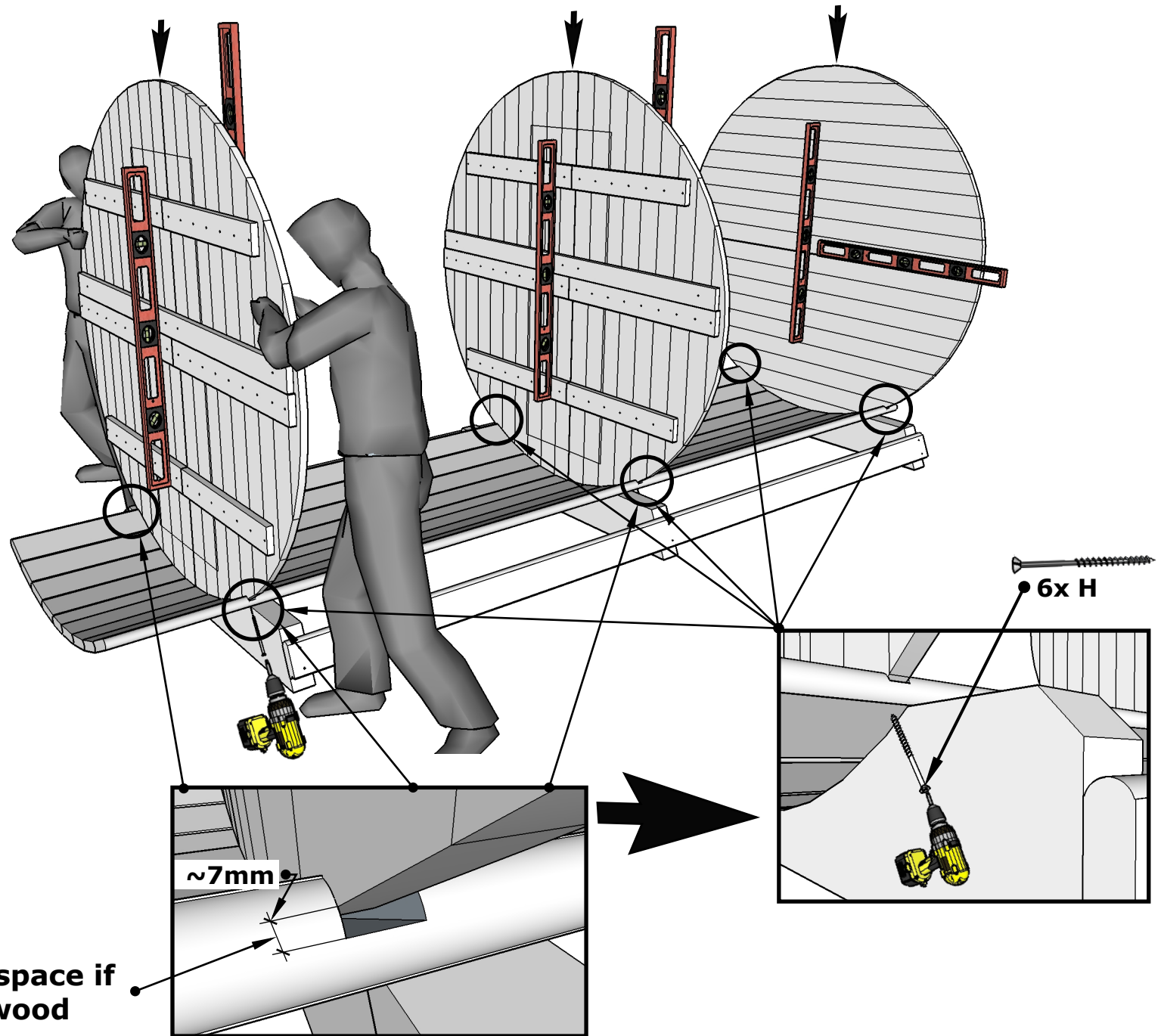
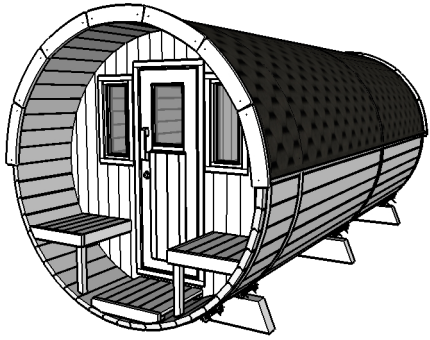


Camping 480, D 210



4.

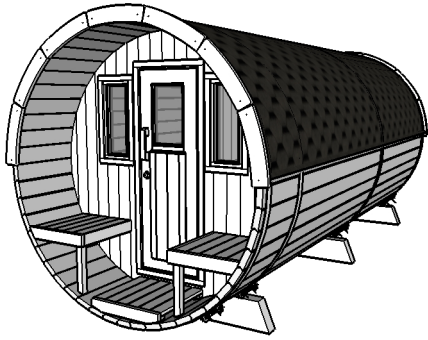
Camping 480, D 210



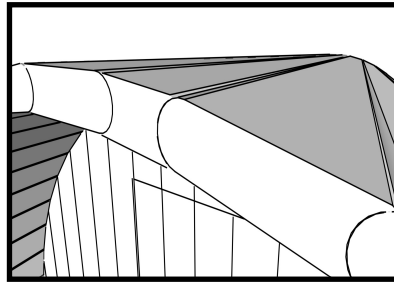
NB! Don't leave space if using thermo wood

5.

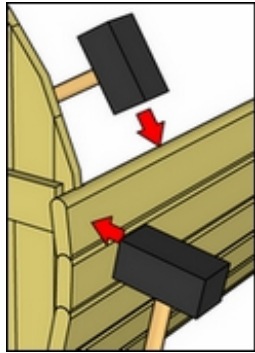
Camping 480, D 210



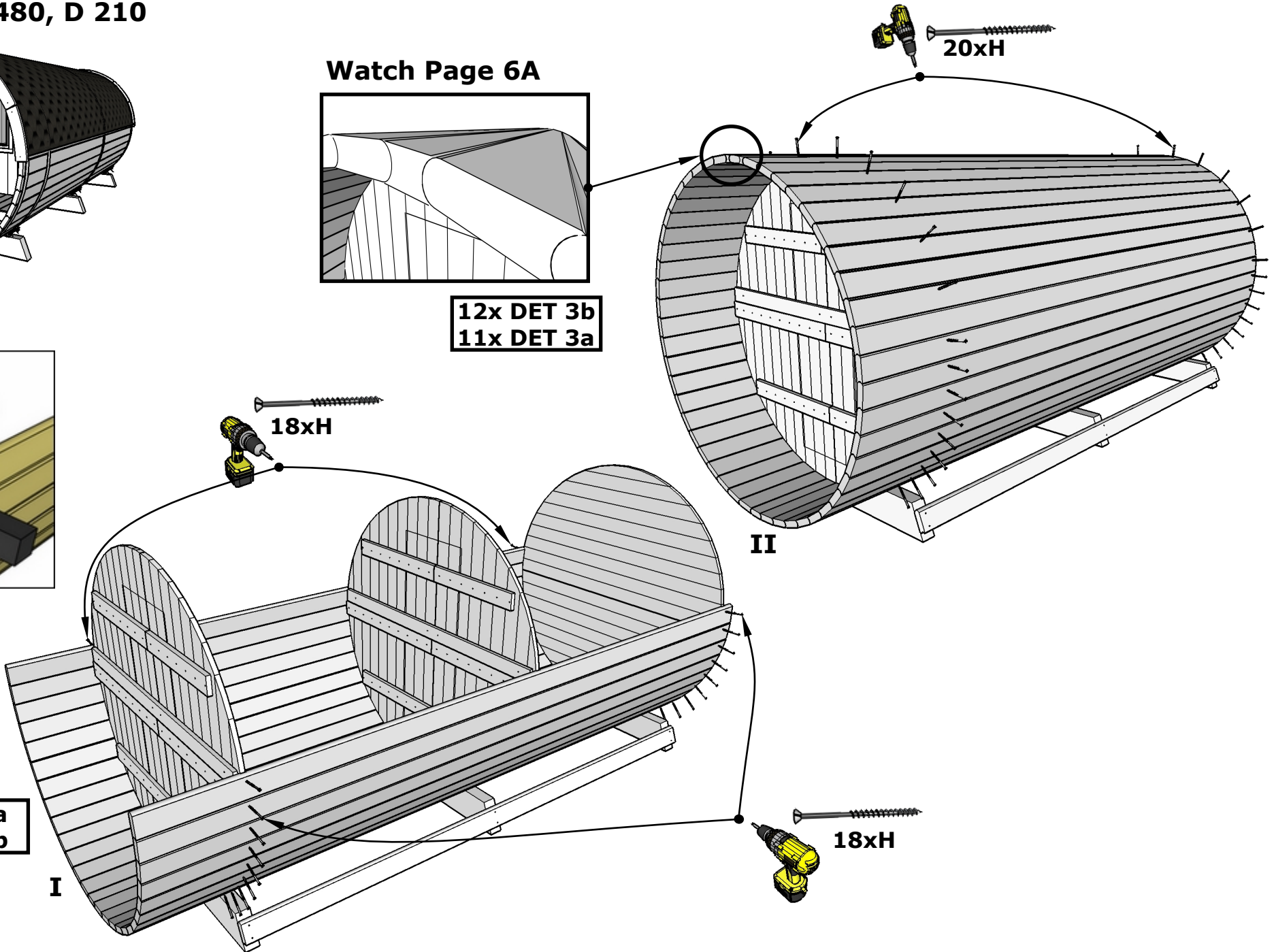
Watch Page 6A



12x DET 3b
11x DET 3a



9x DET 3a
9x DET 3b



20xH

18xH

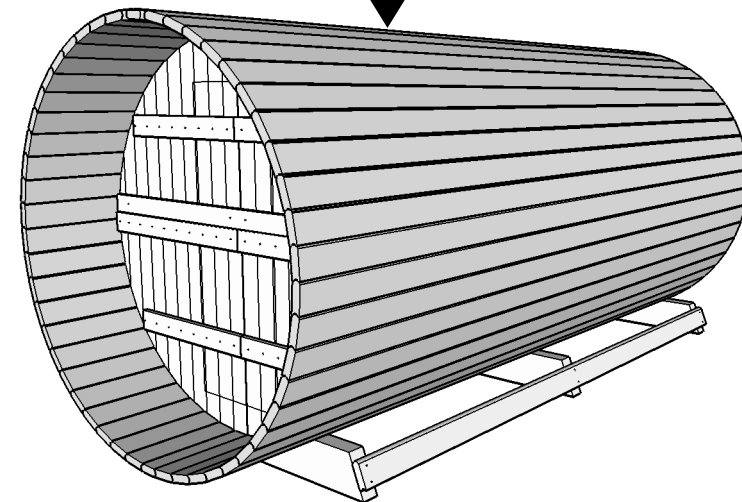
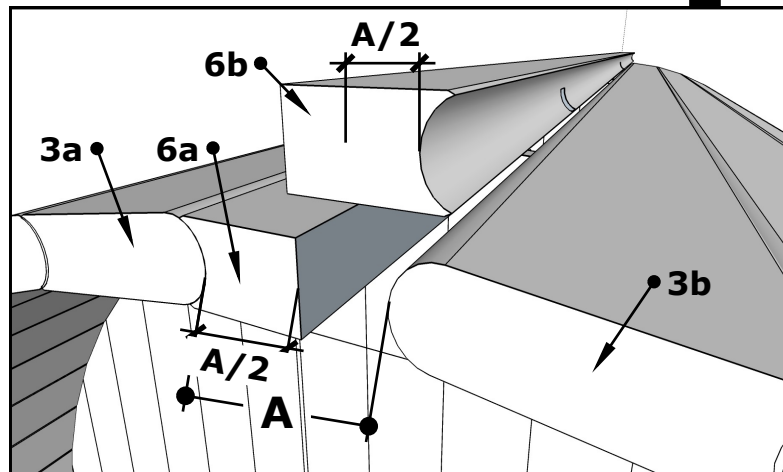
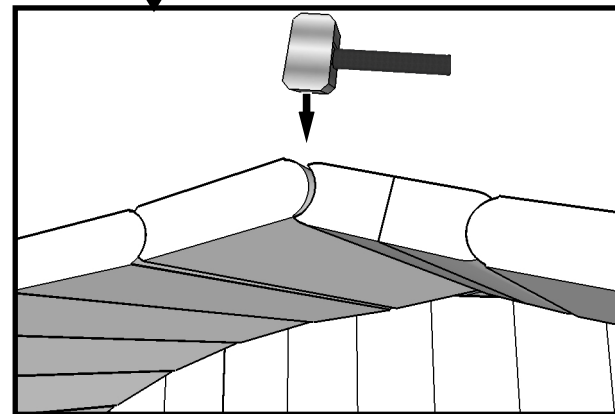
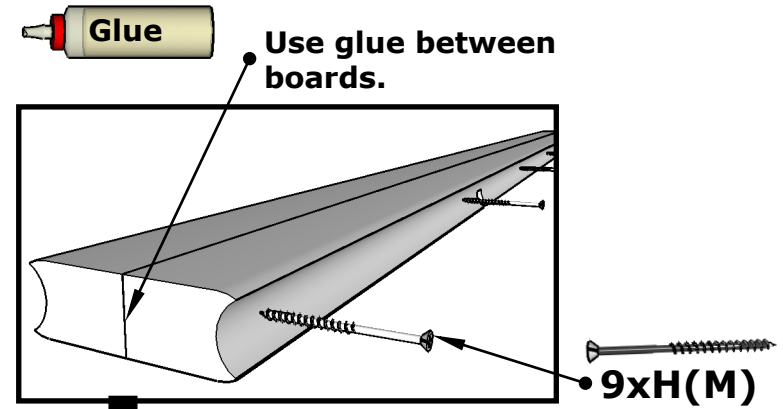
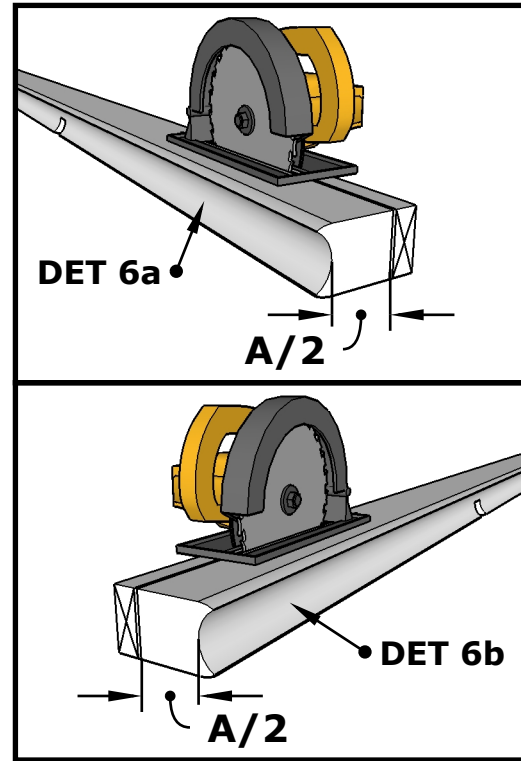
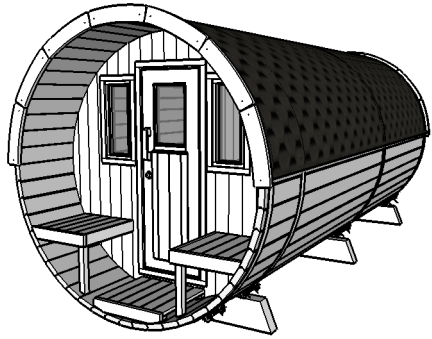
II

I

18xH

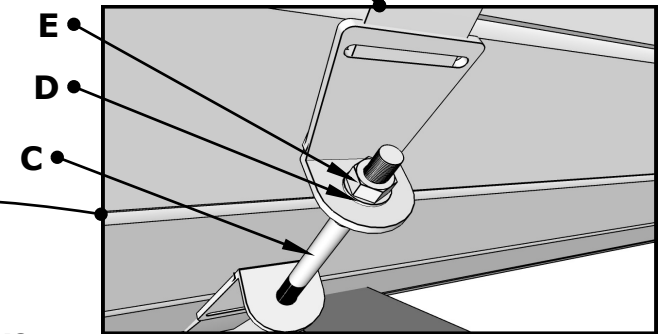
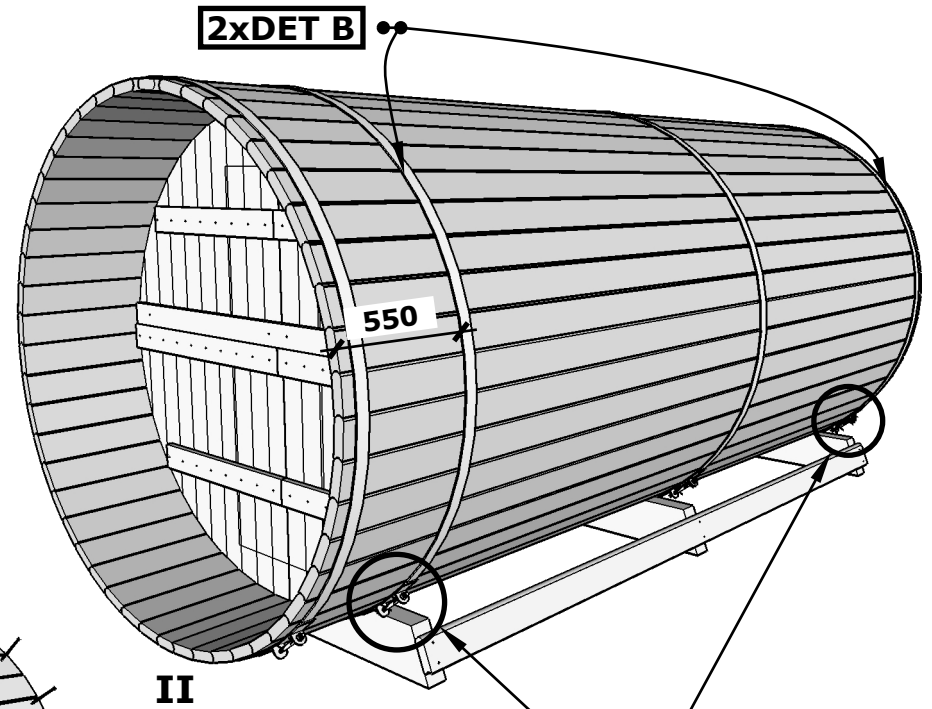
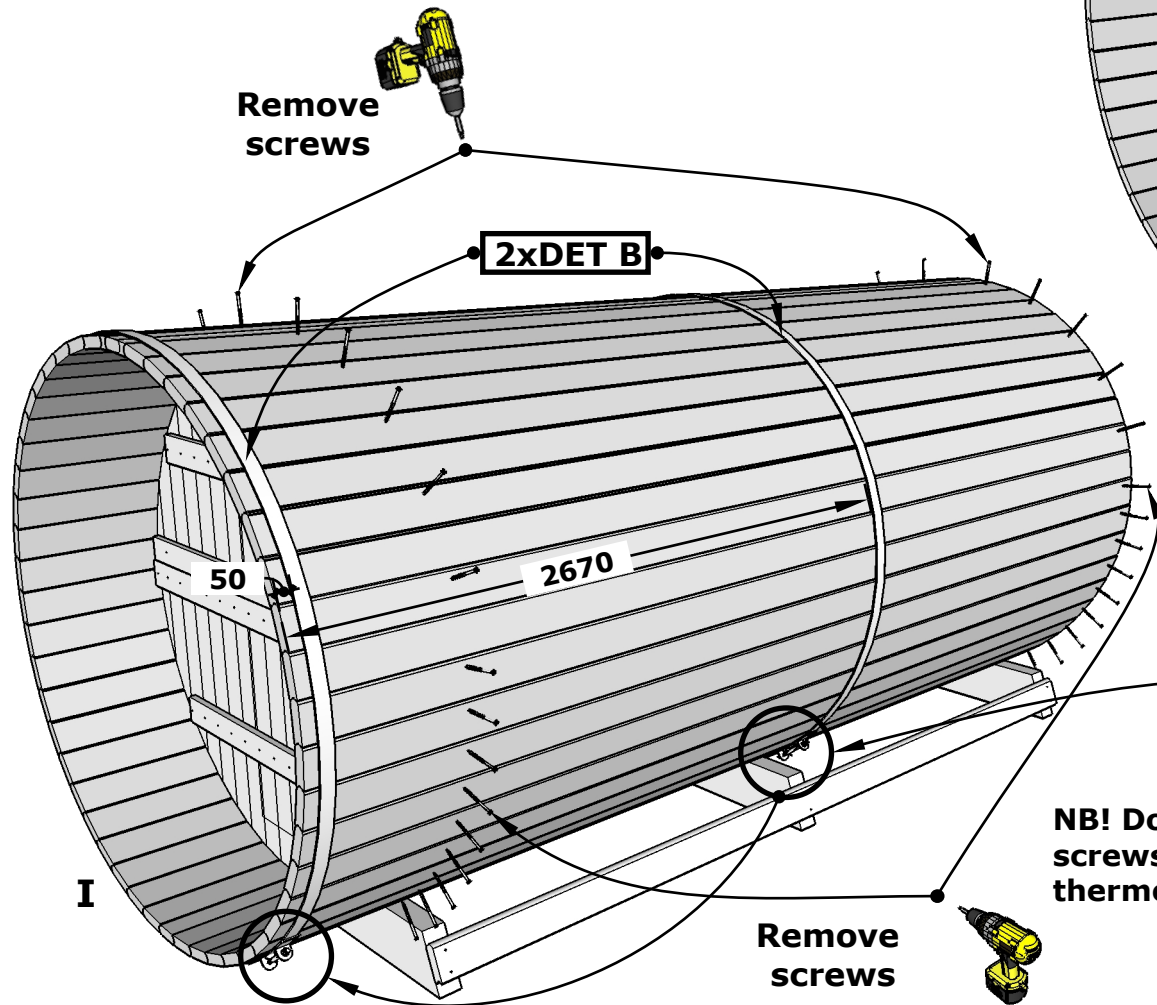
6.

Camping 480, D 210



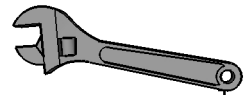
6A.

Camping 480, D 210



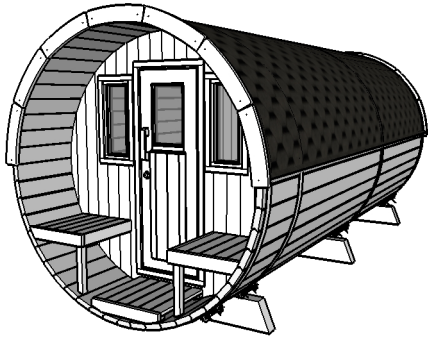
NB! Don't remove screws, if using thermo wood!

Remove screws

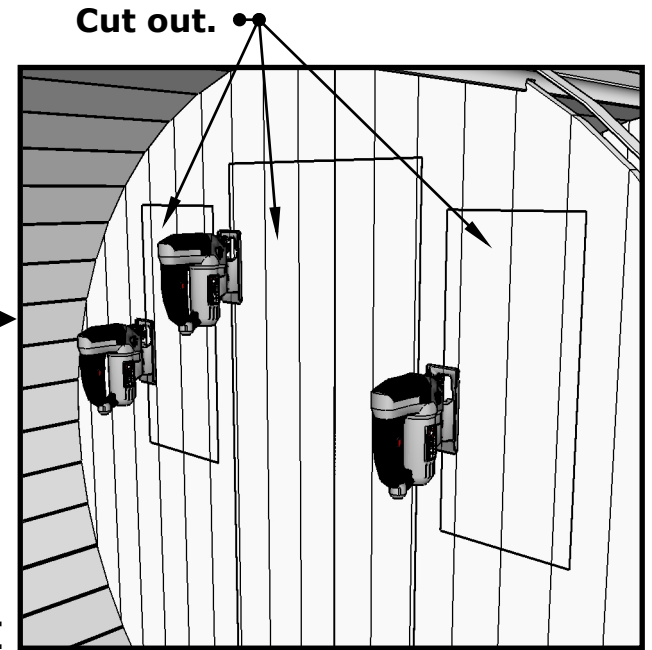
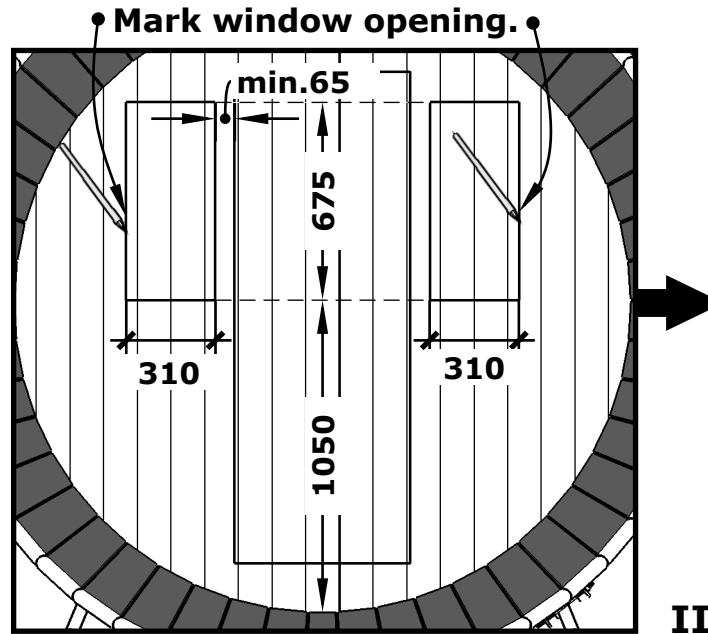


7.

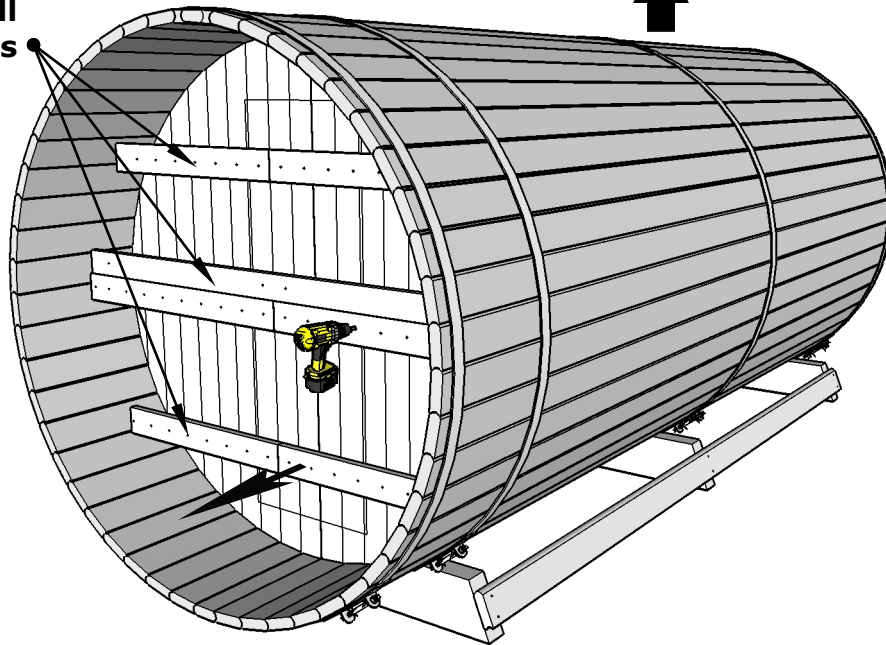
Camping 480, D 210



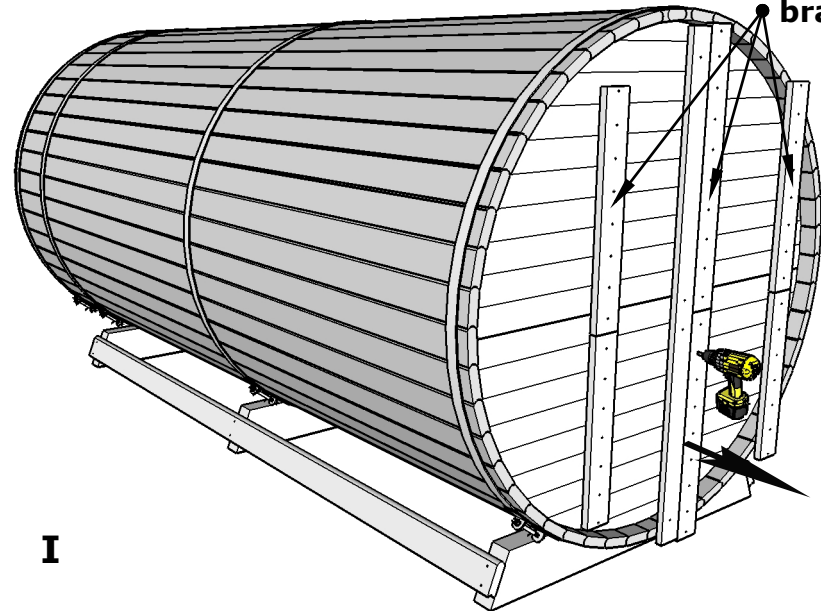
NB! Use waterlevel.



Remove all brackets



Remove all brackets



8.

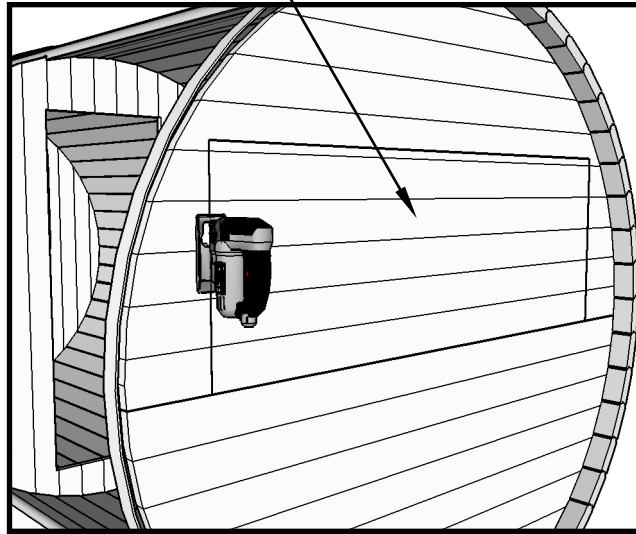
Camping 480, D 210



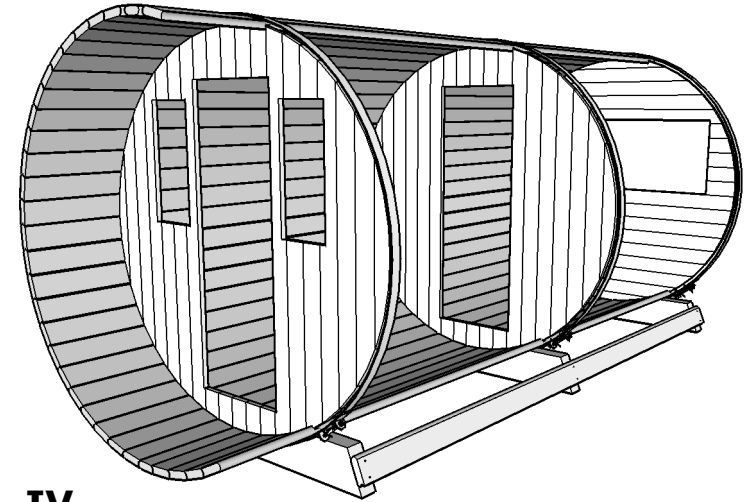
NB! Use waterlevel.



Cut out.

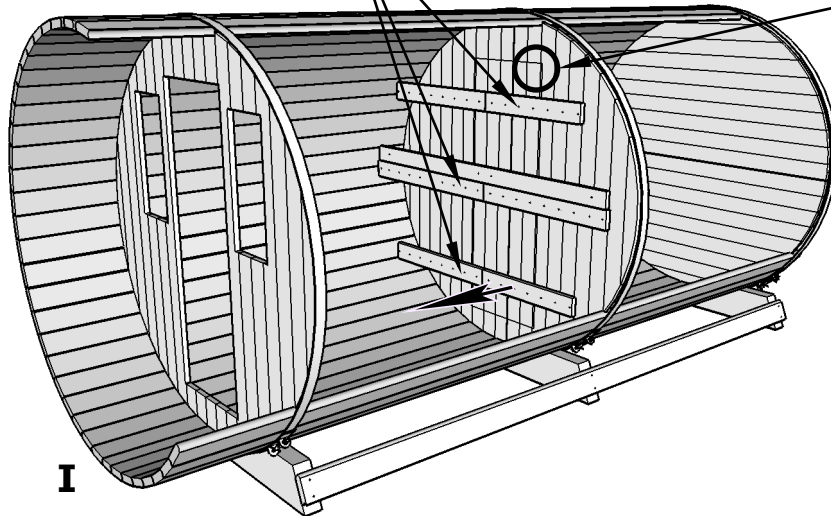


III



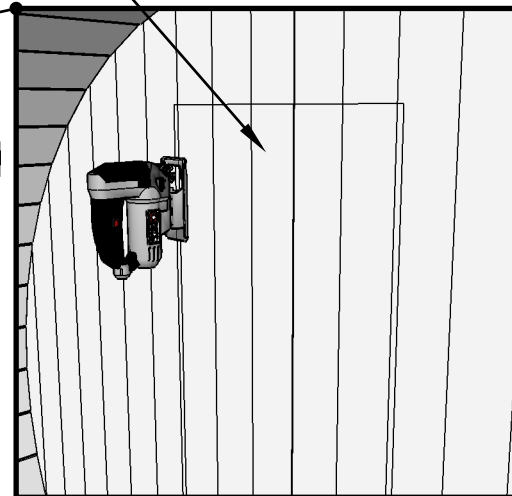
IV

Remove all brackets



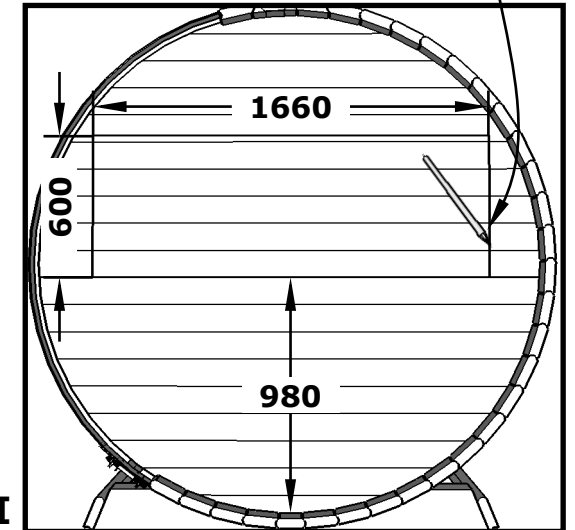
I

Cut out.

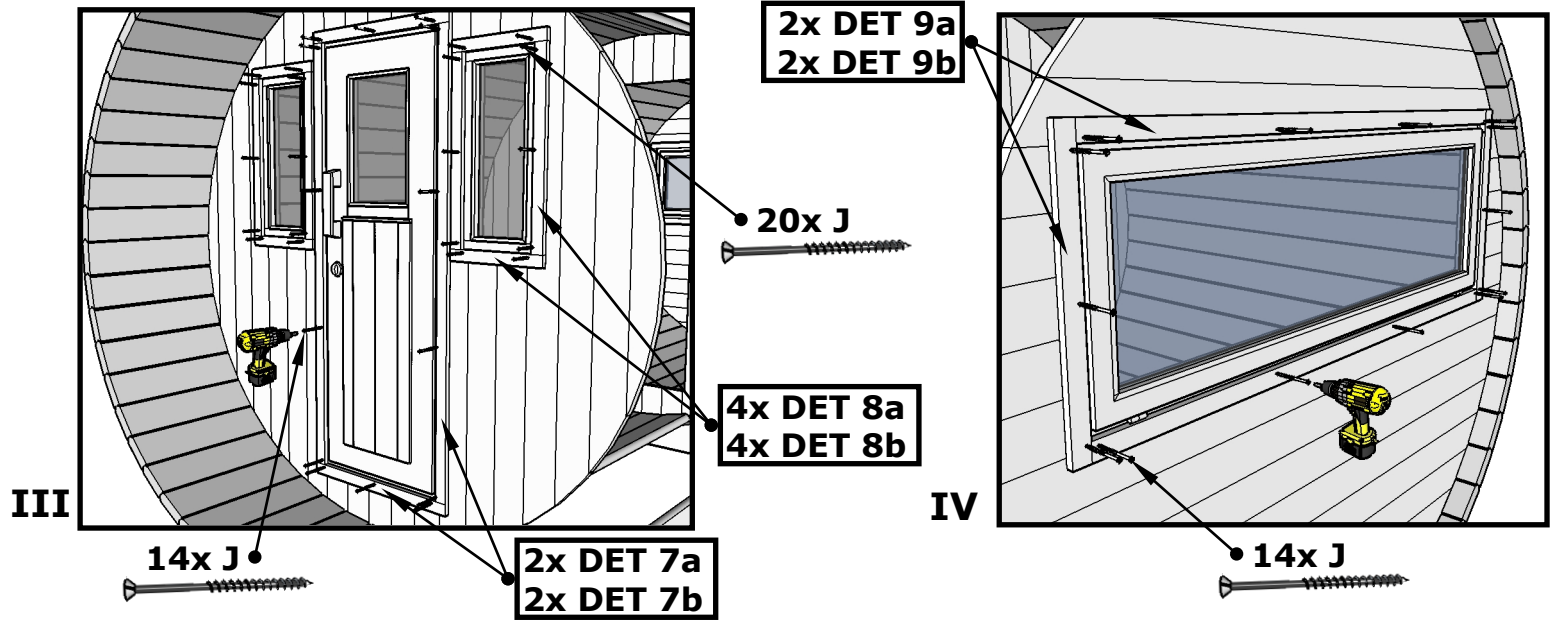


II

Mark window opening.



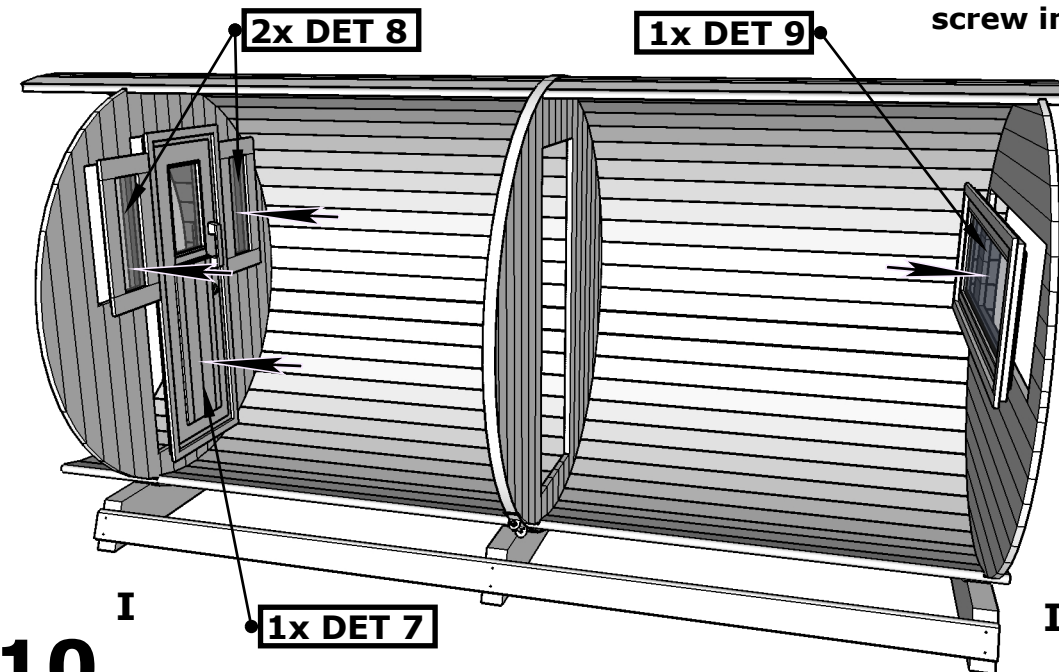
Camping 480, D 210



NB! Use waterlevel.

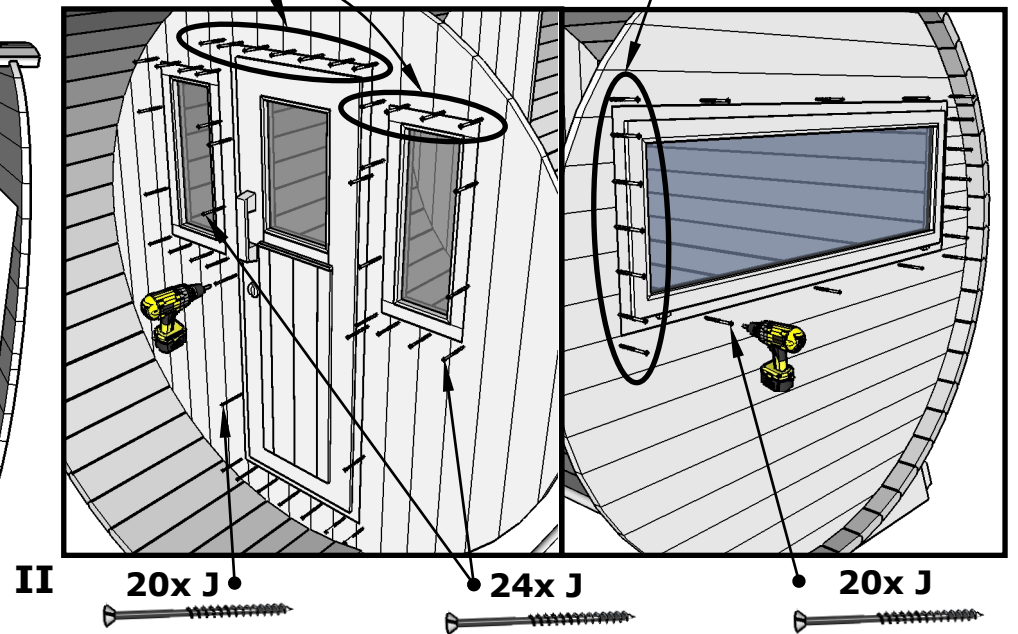


NB! Place door and windows from inside.

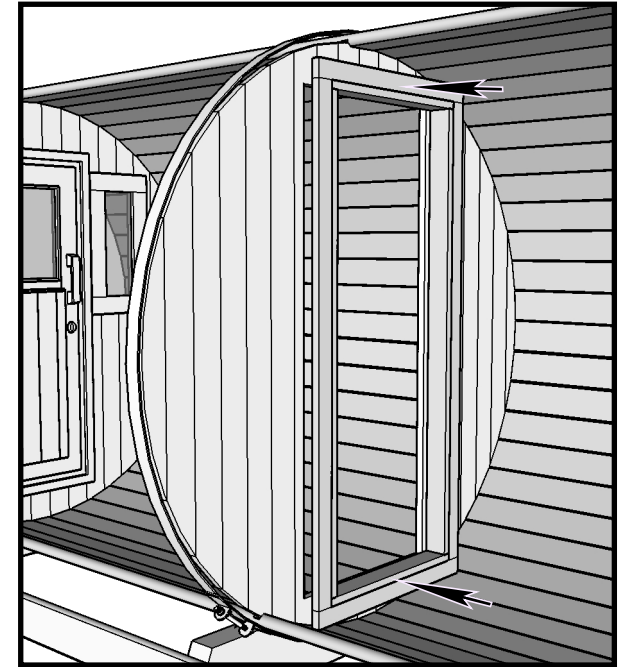
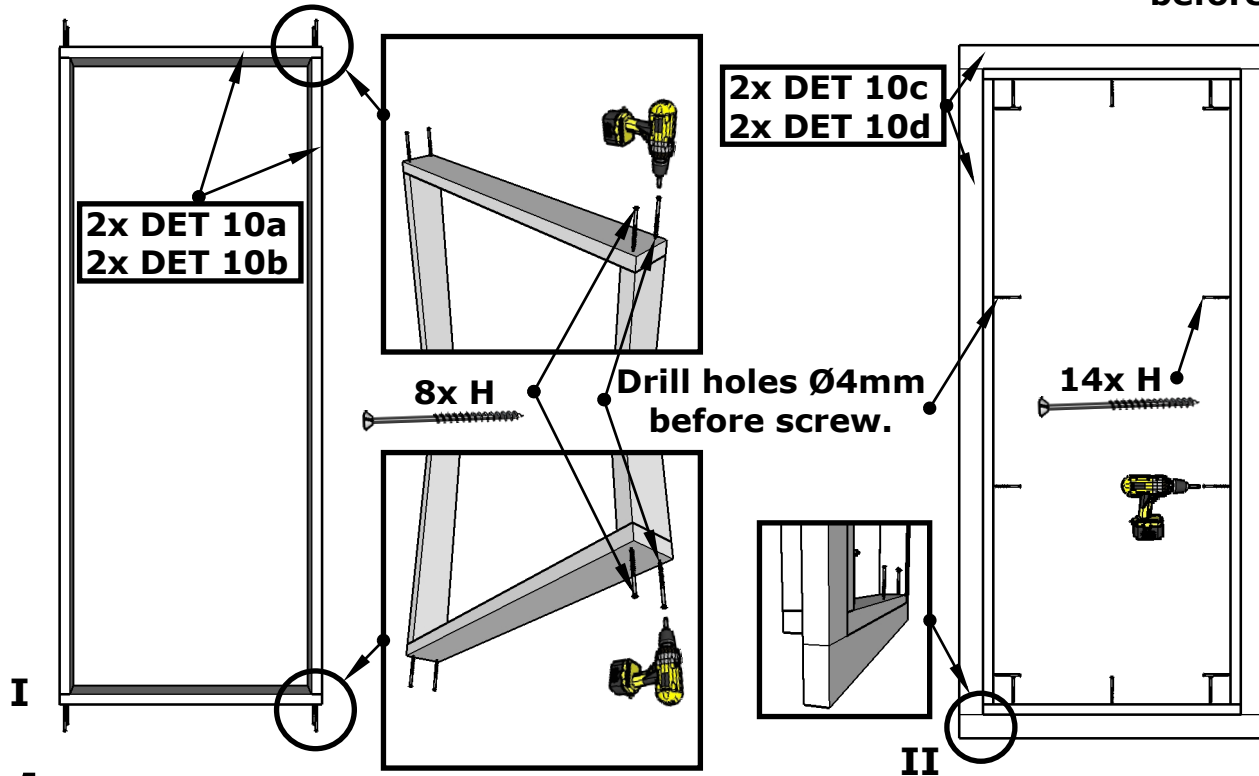
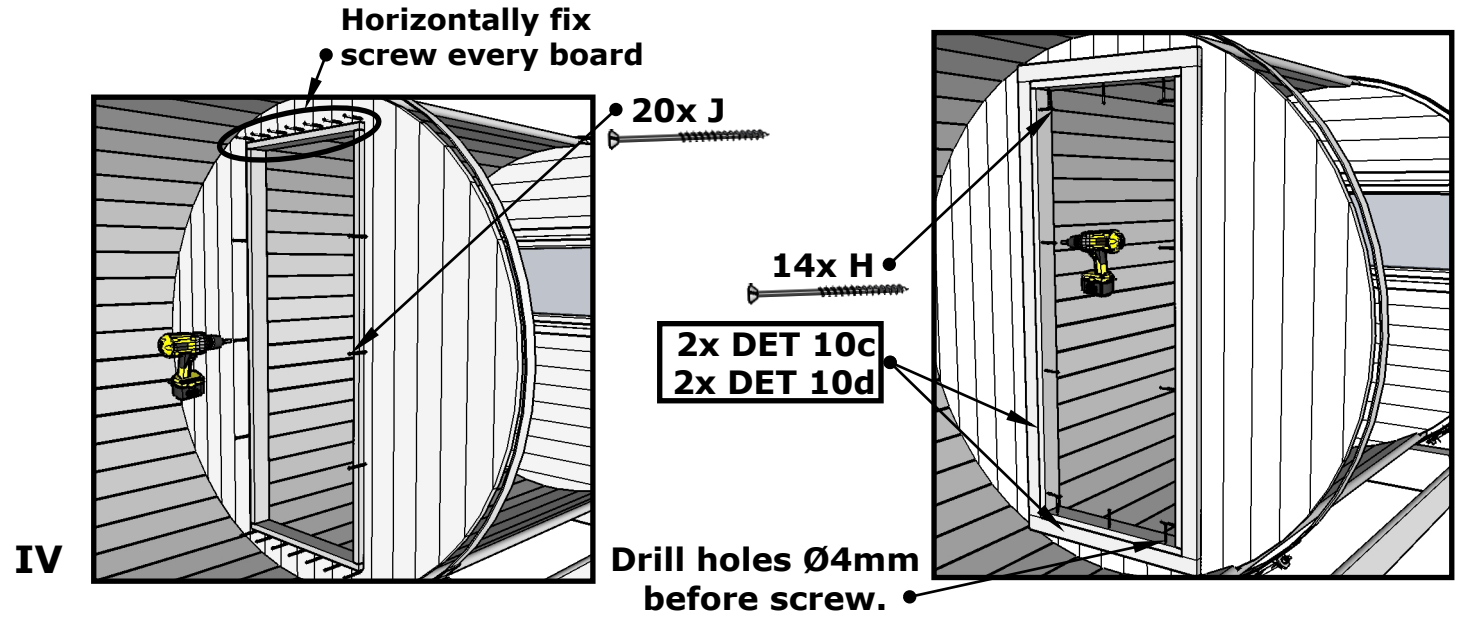


Horizontally fix screw in every board

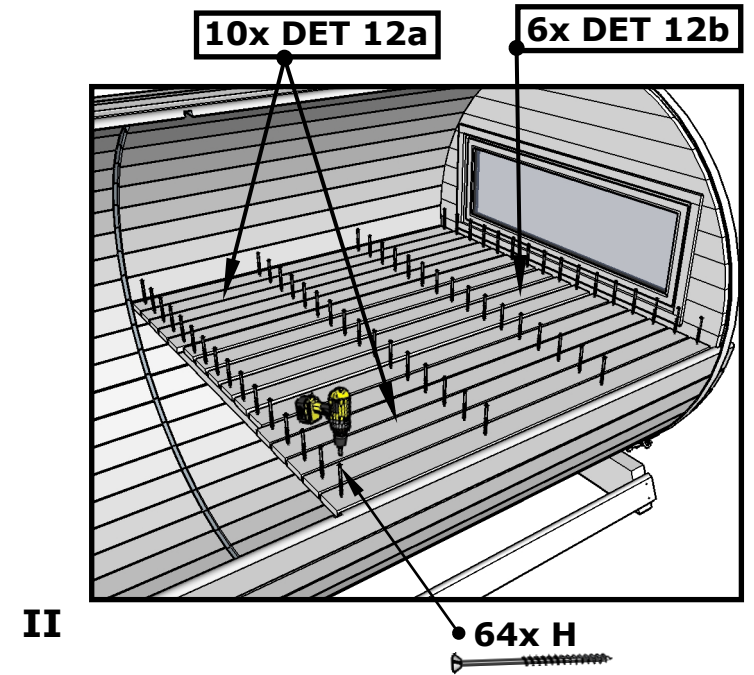
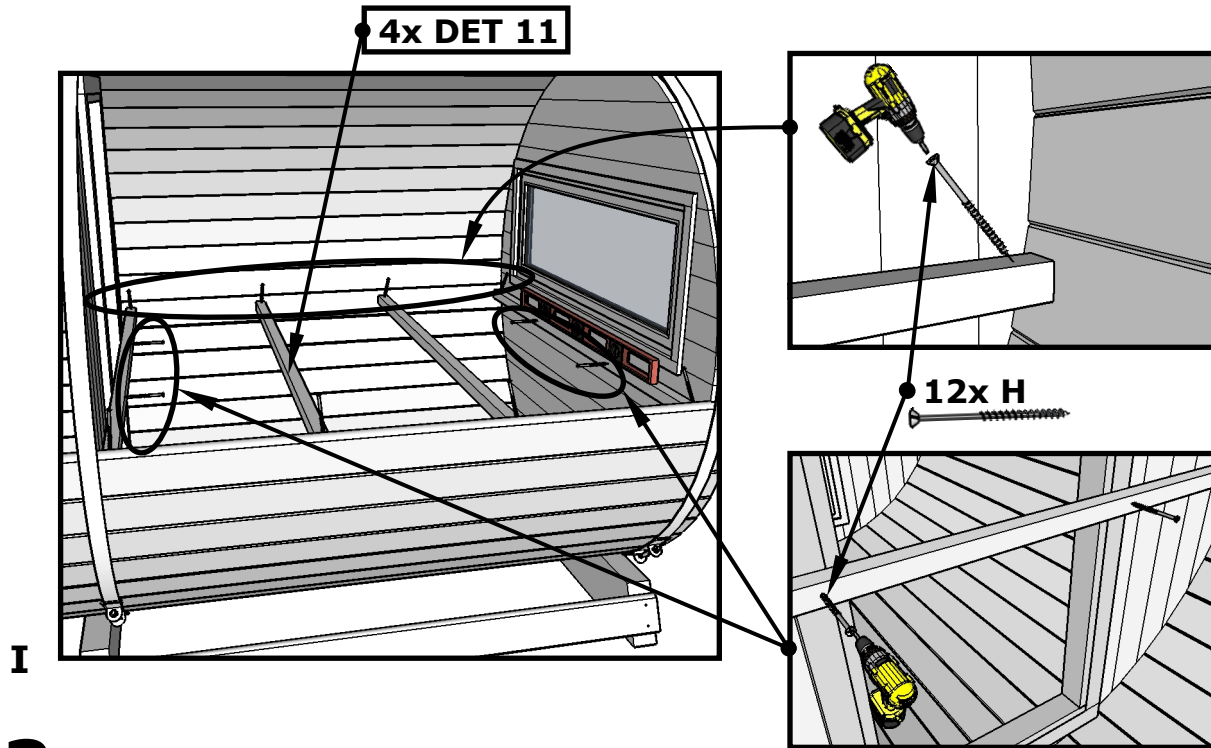
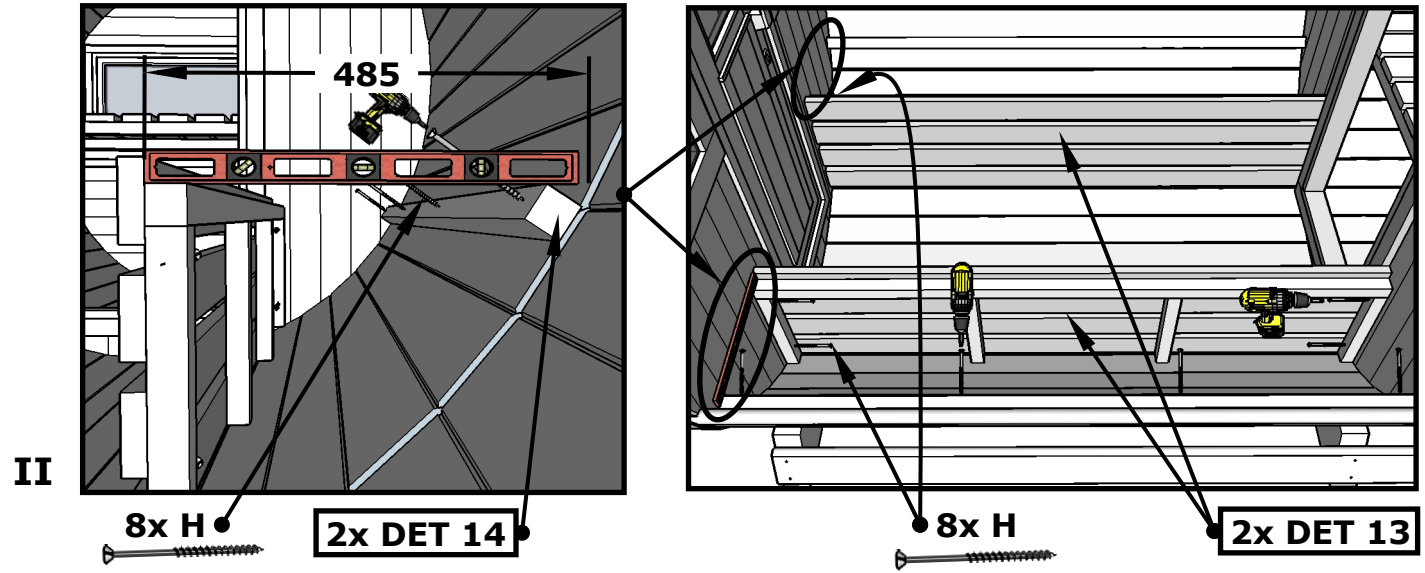
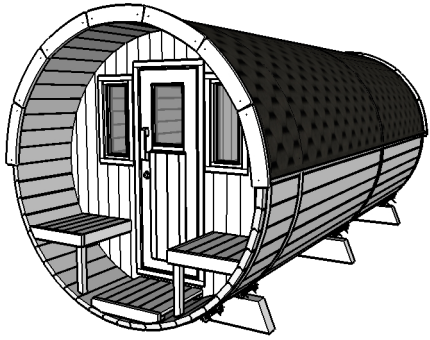
Vertically fix screw in every board



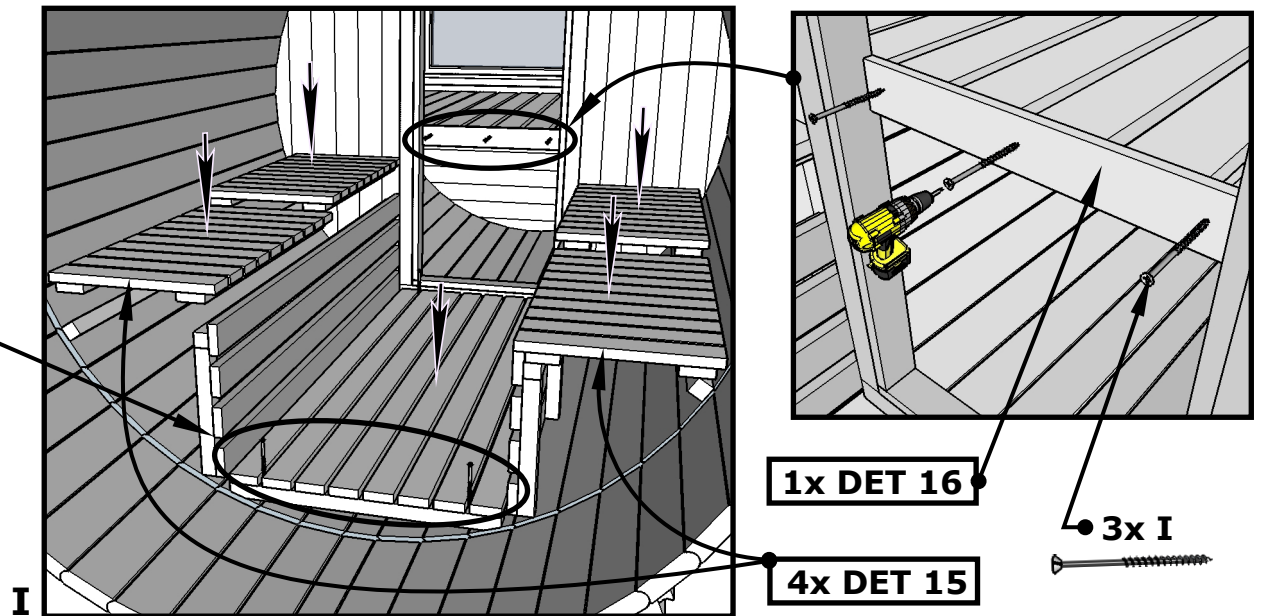
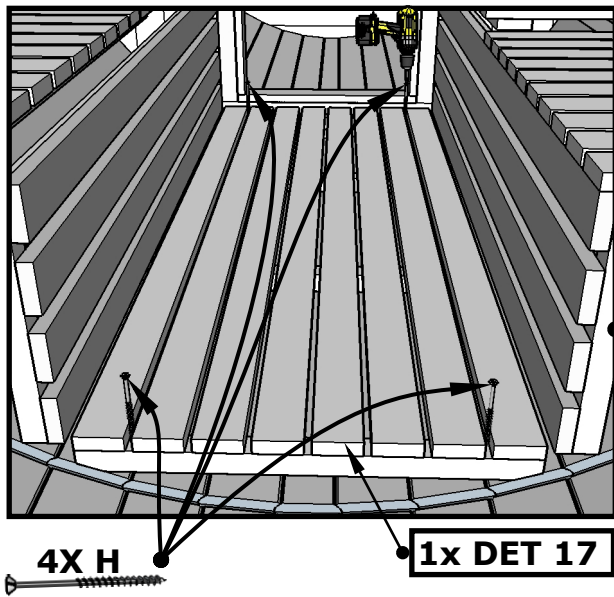
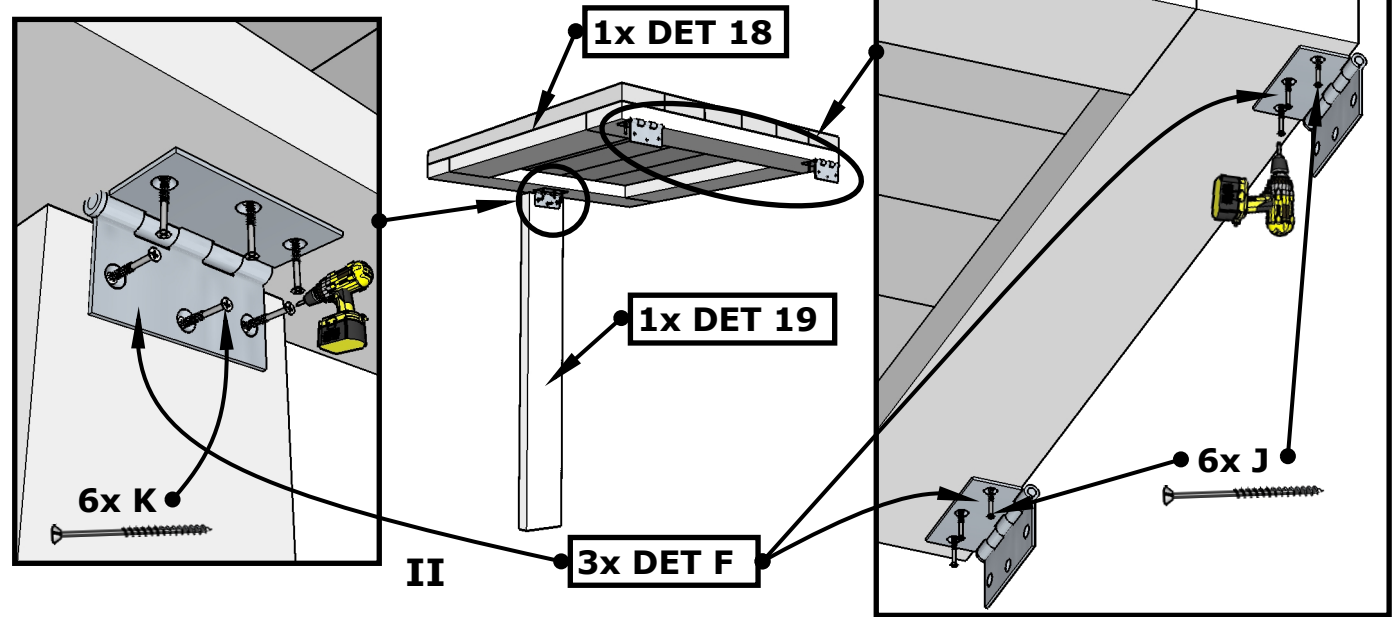
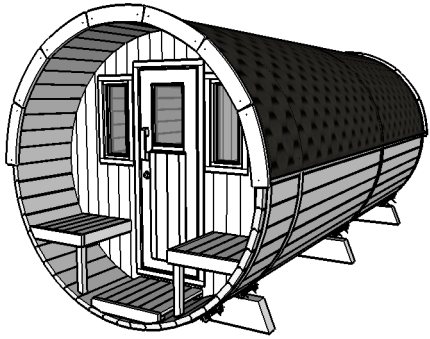
Camping 480, D 210



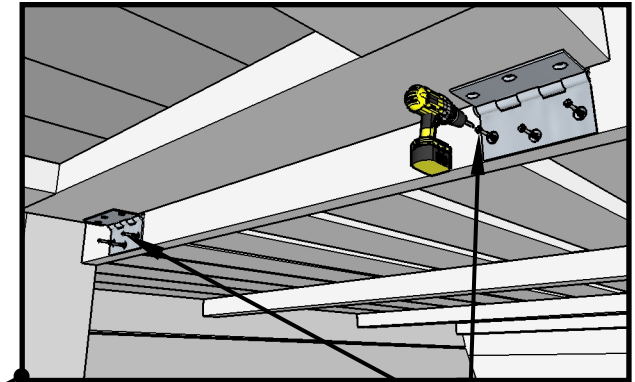
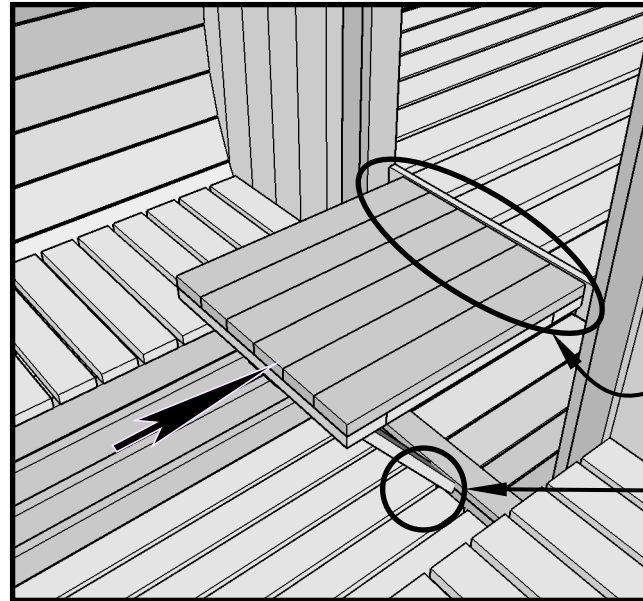
Camping 480, D 210



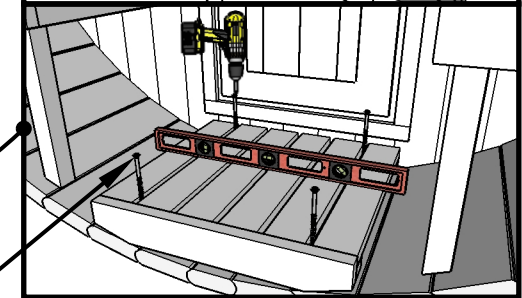
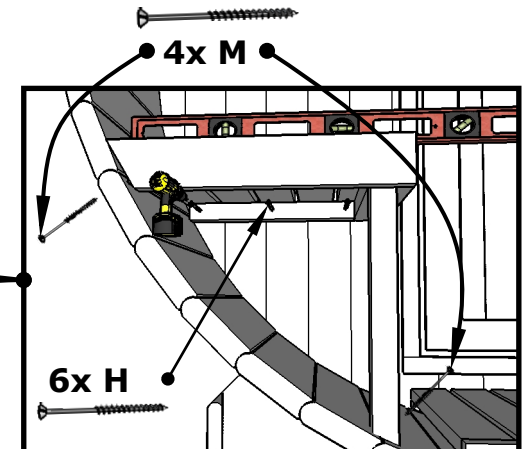
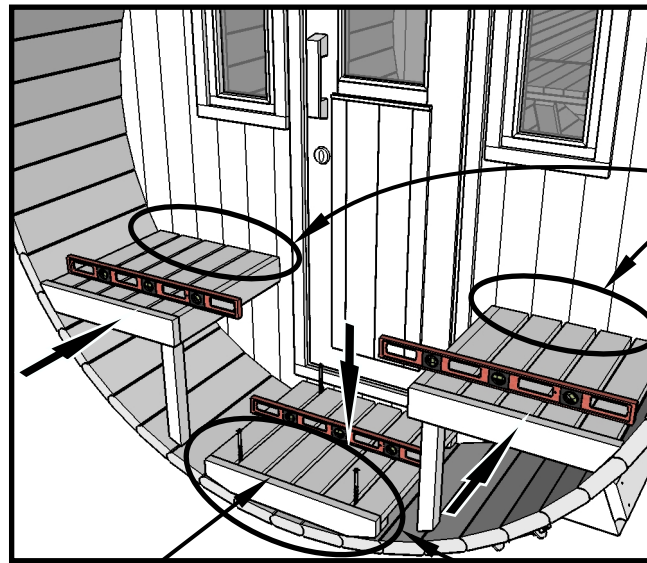
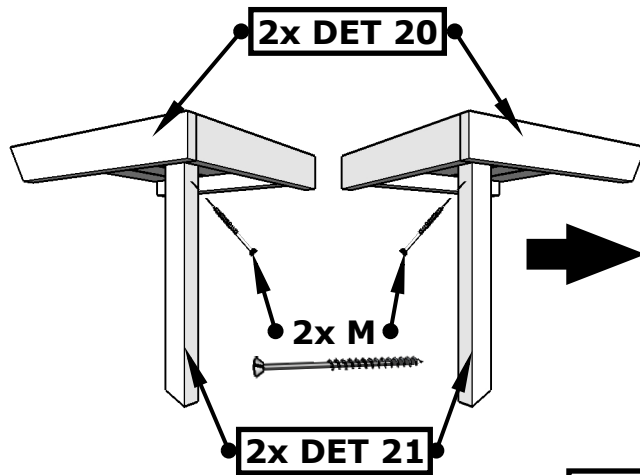
Camping 480, D 210



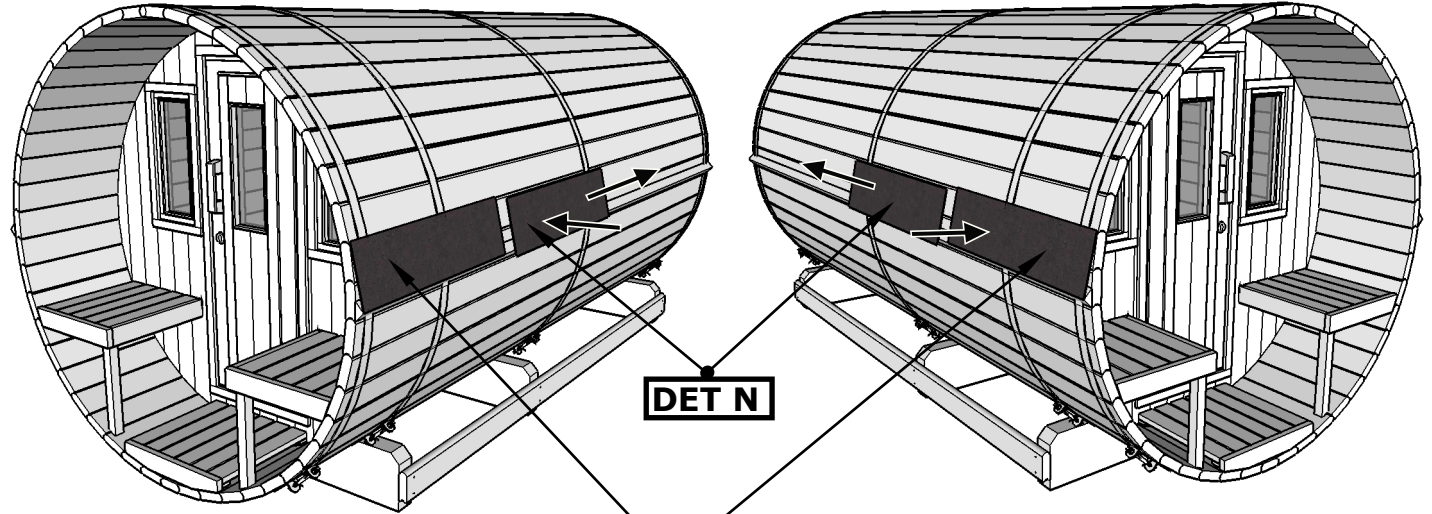
Camping 480, D 210



Cut table leg on right size, if necessary.

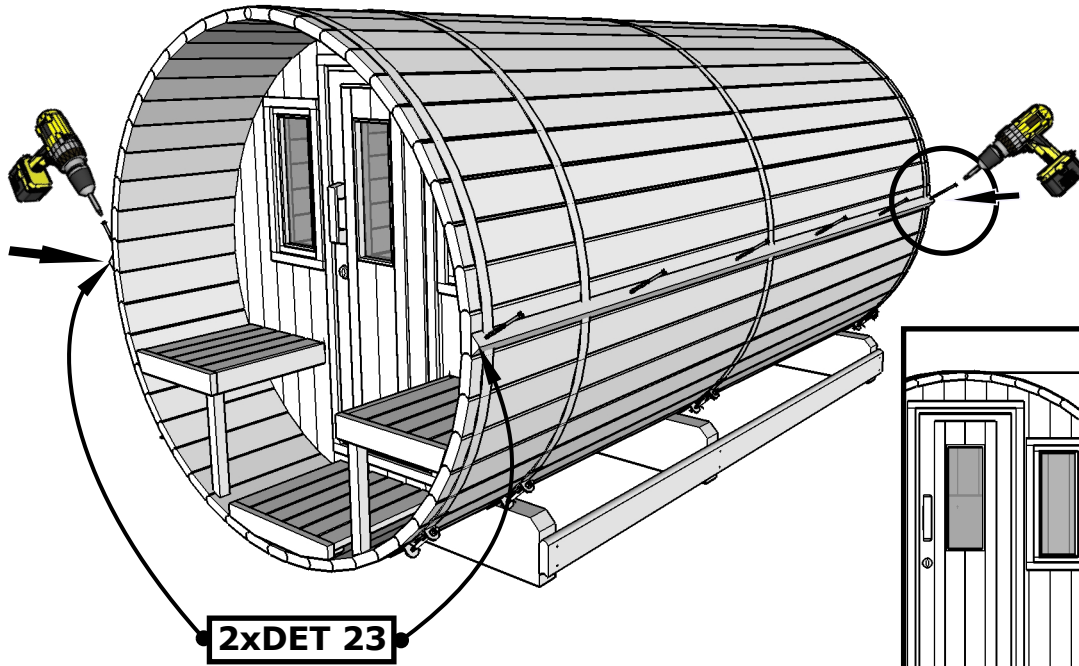
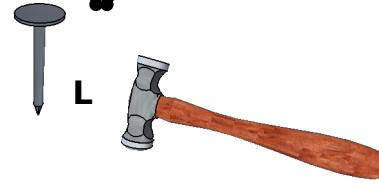


Camping 480, D 210



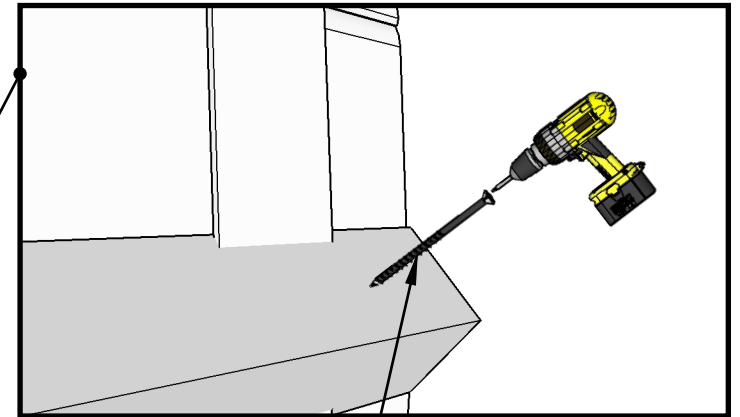
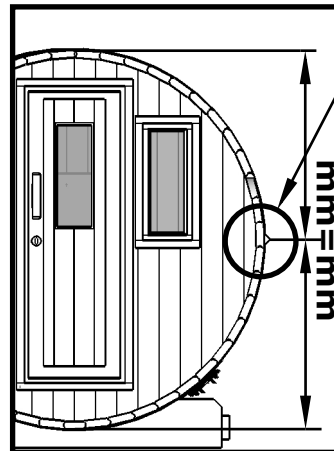
DET N

II



2xDET 23

I



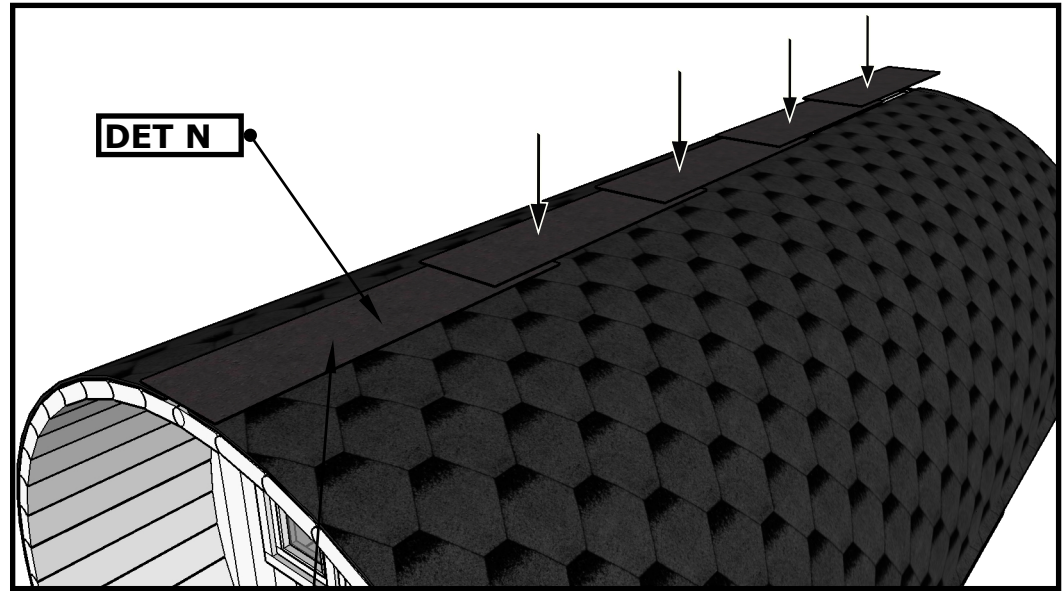
14x H

15.

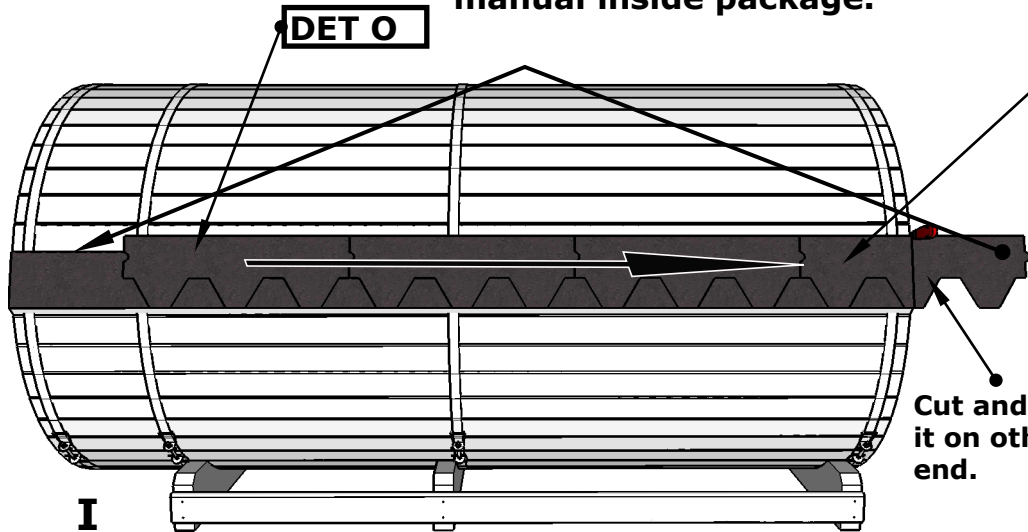
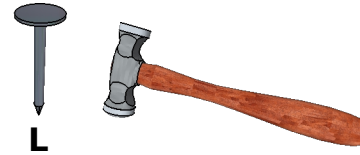
Camping 480, D 210



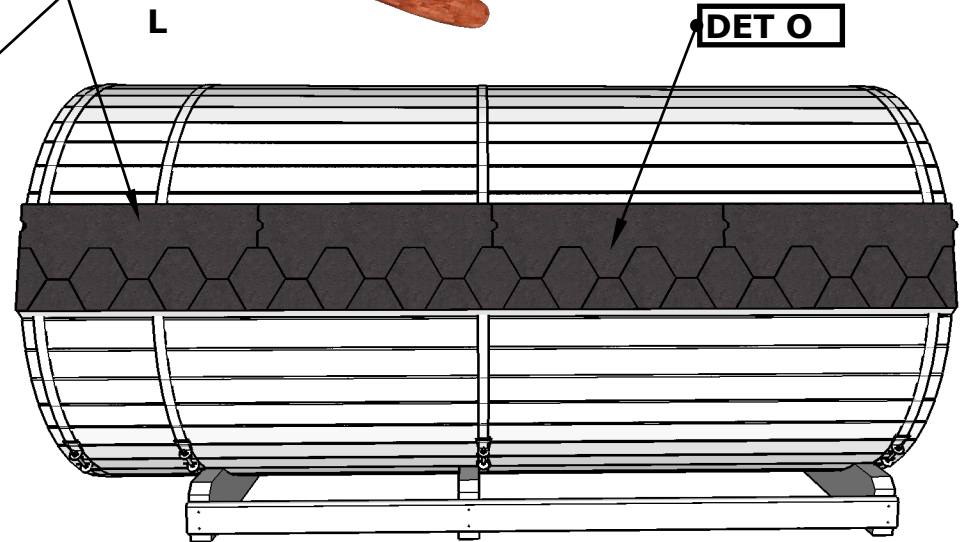
II



NB! Check also roof shingles installation manual inside package.



Cut and use it on other end.



Camping 480, D 210

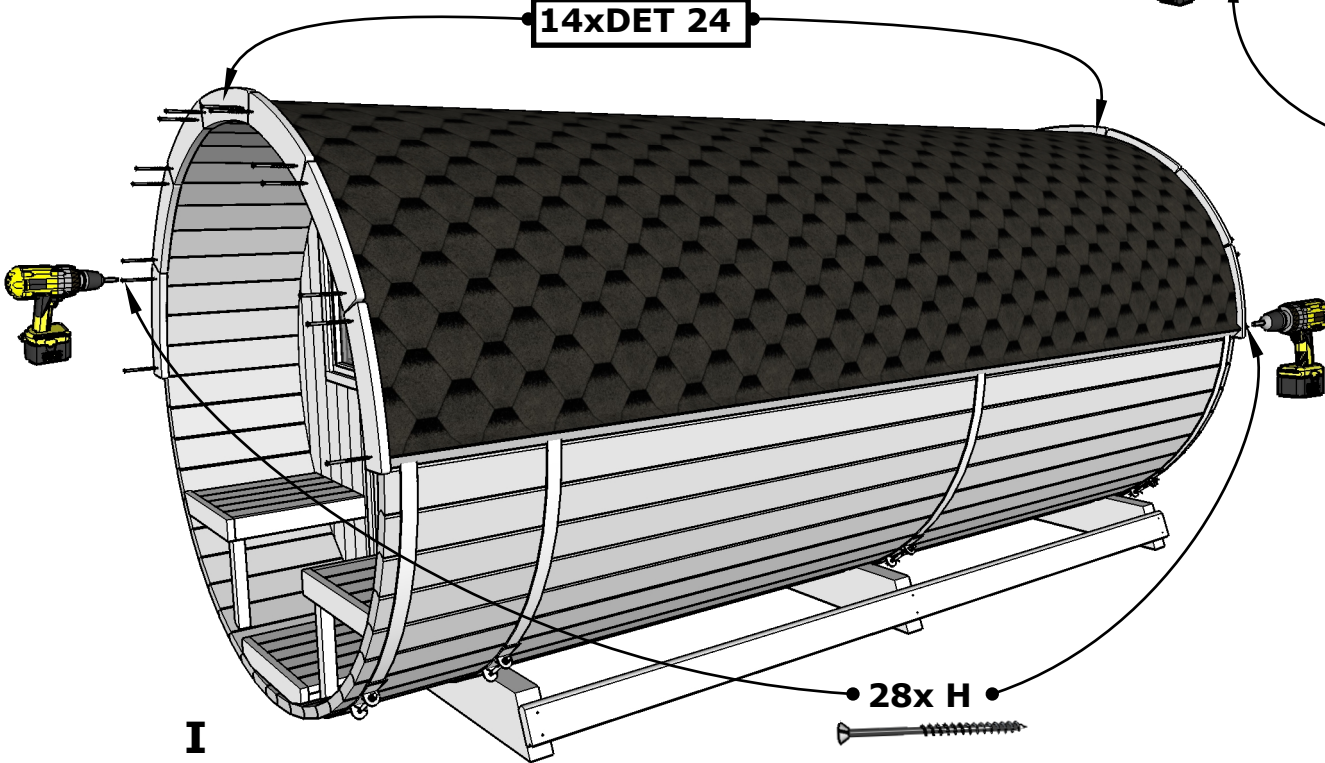


II



Remove
DET A

14xDET 24



28x H



I

17.