

# BUS Sauna 400, Ø226

**NB! Please read whole manual  
before start.**

**All given measurements  
are in millimeters!**

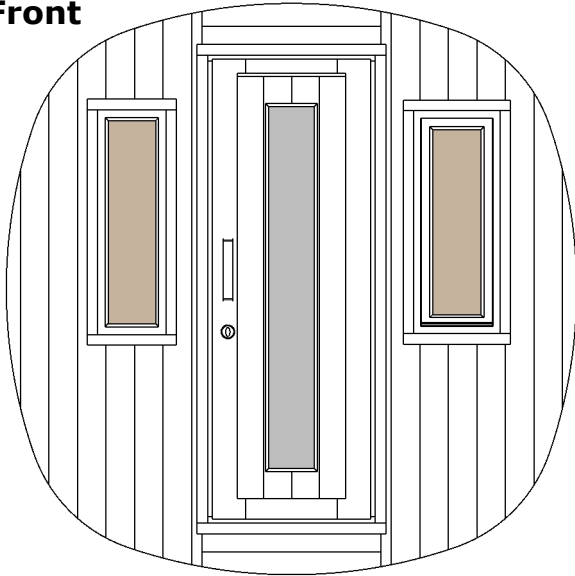


(BUS-226-PES-PTS-001)

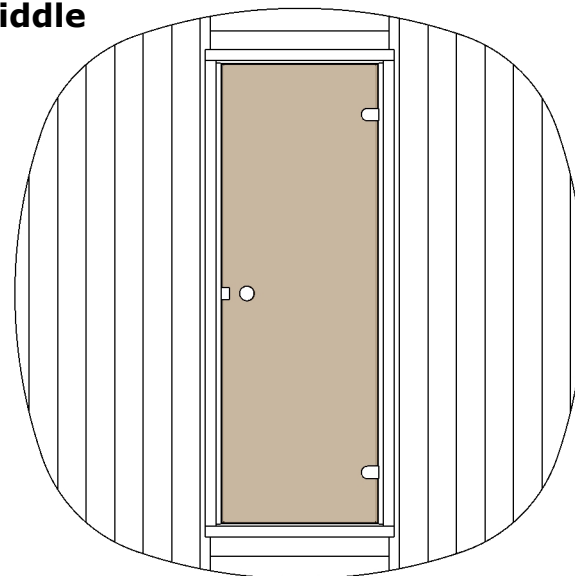
# BUS Wall configuration.

Windows are optional!

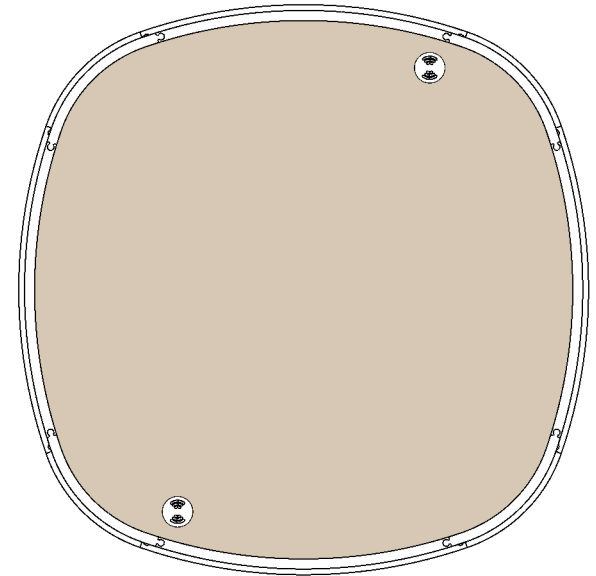
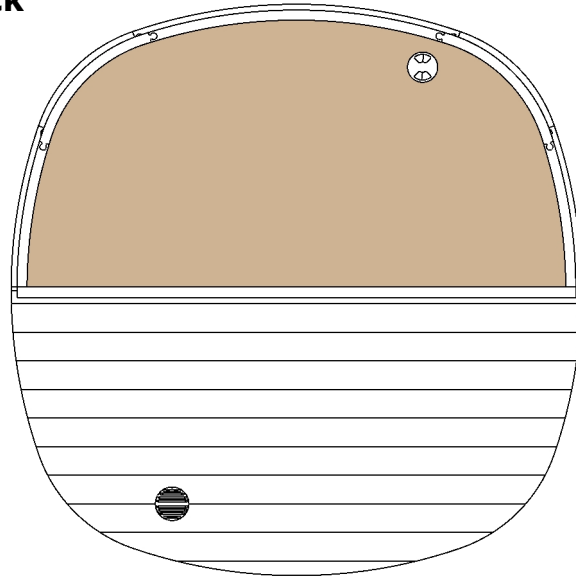
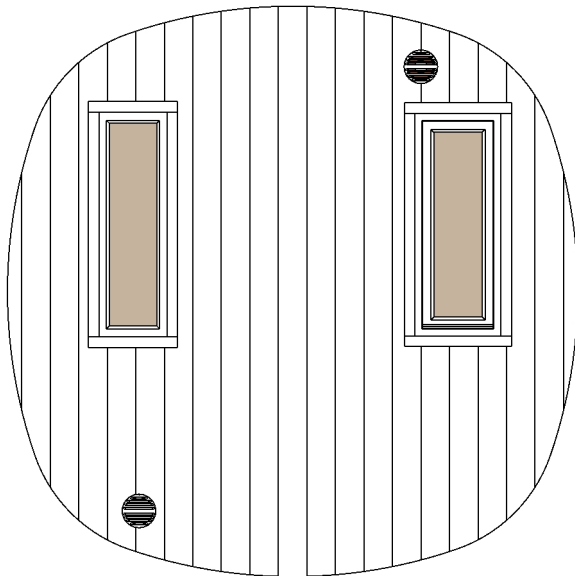
Front



Middle

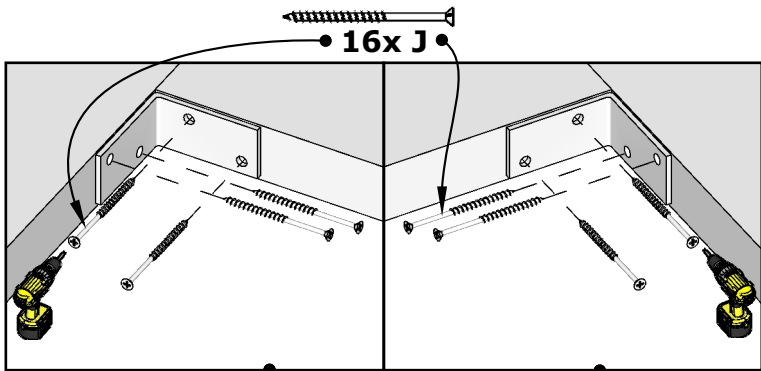
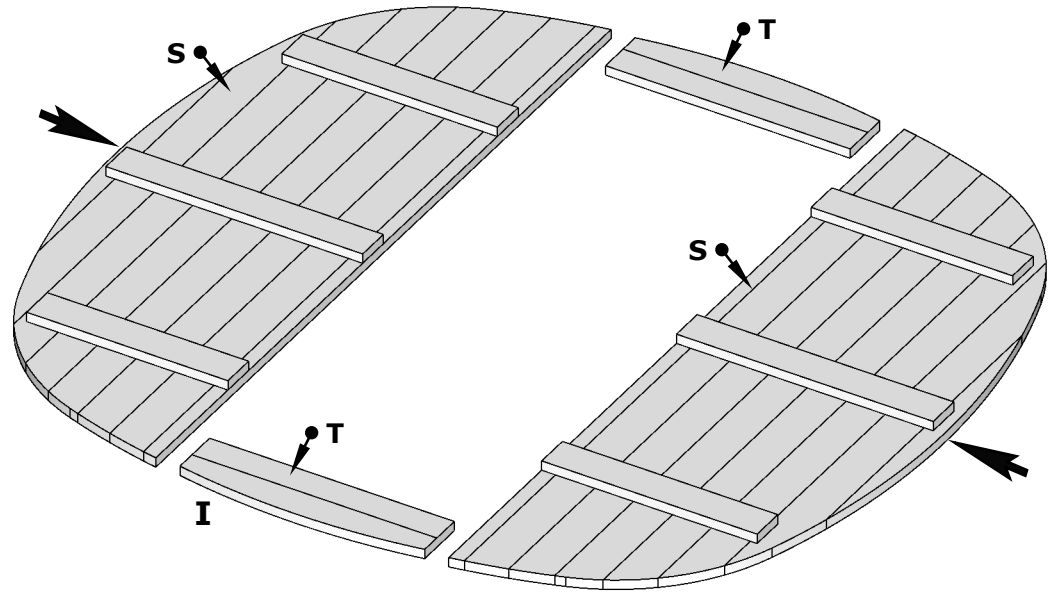
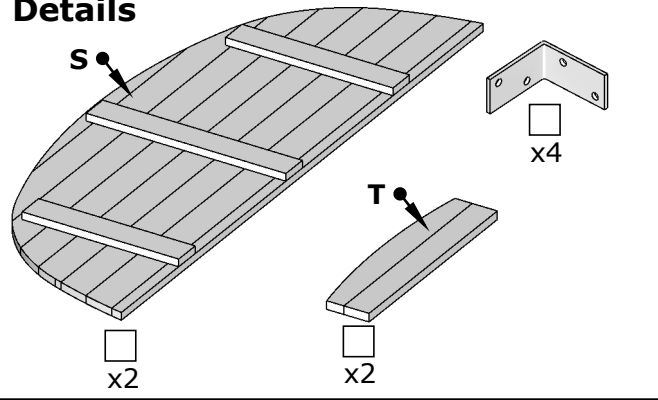


Back

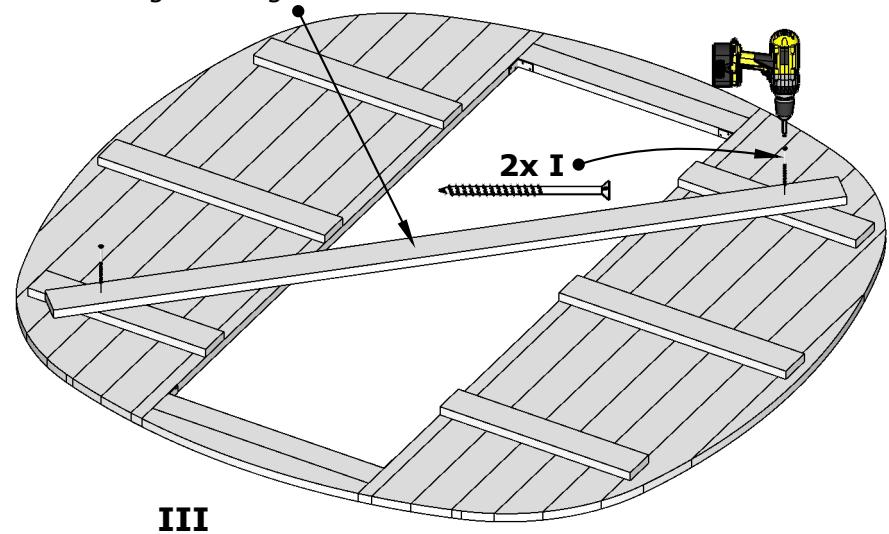
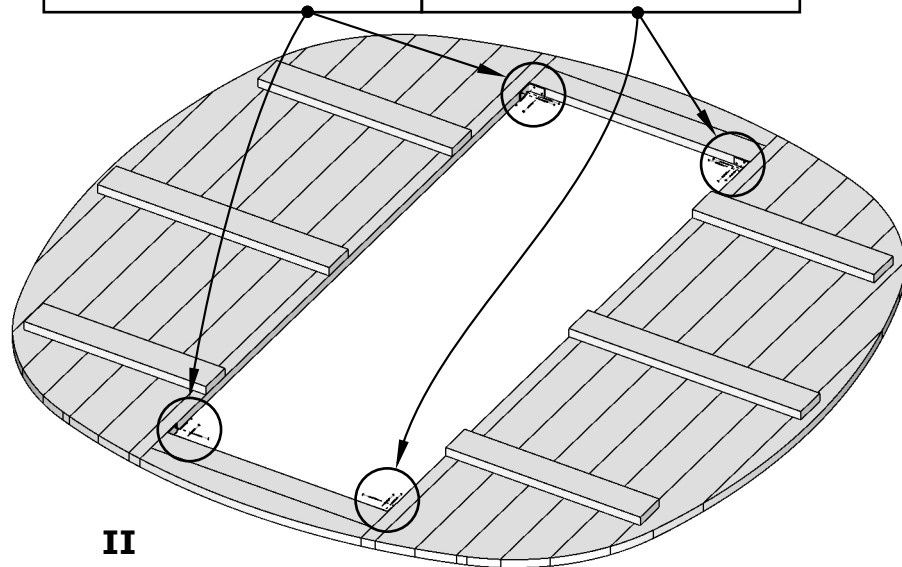


# BUS Wooden front wall assembly

## Details

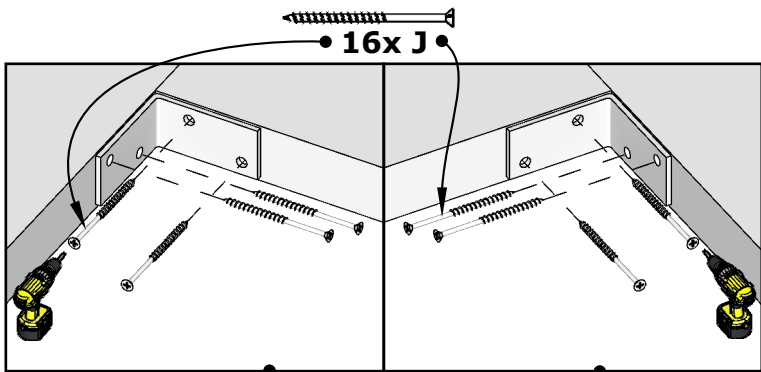
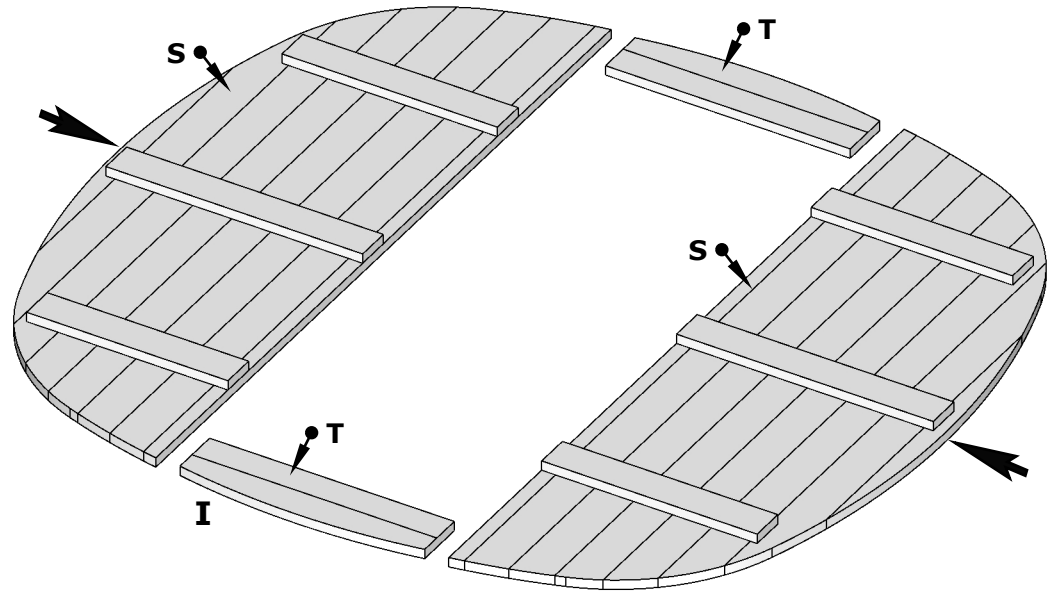
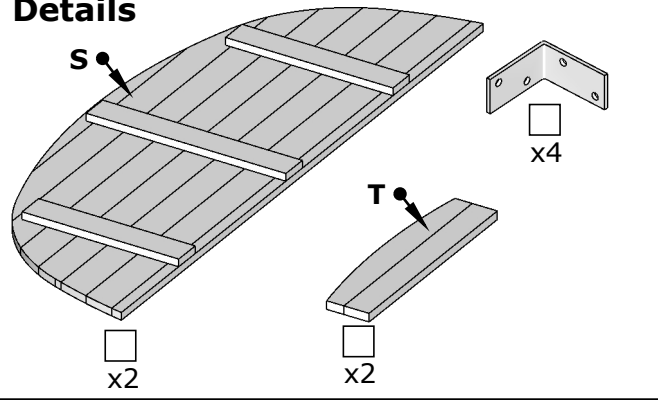


Cut board from pallet L= $\sim$ 2300mm.  
Fix it diagonally to make wall  
more rigid during the installation.

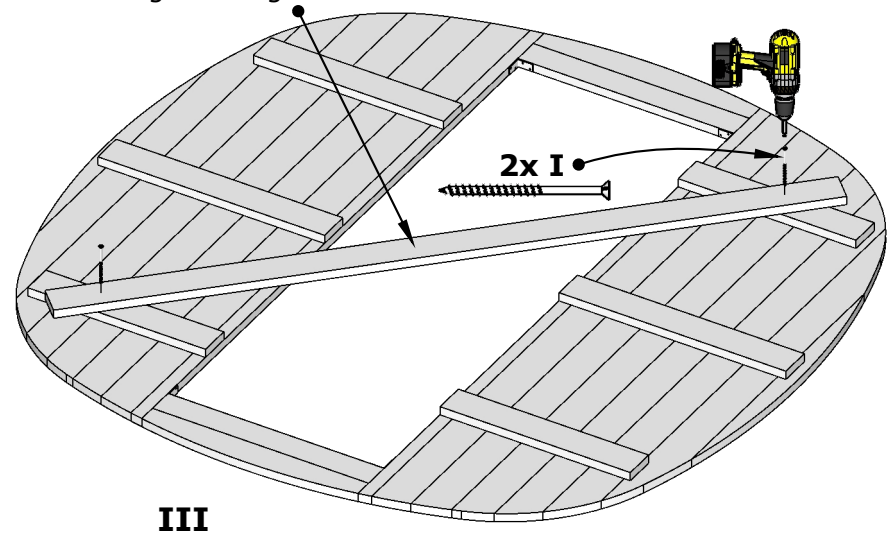
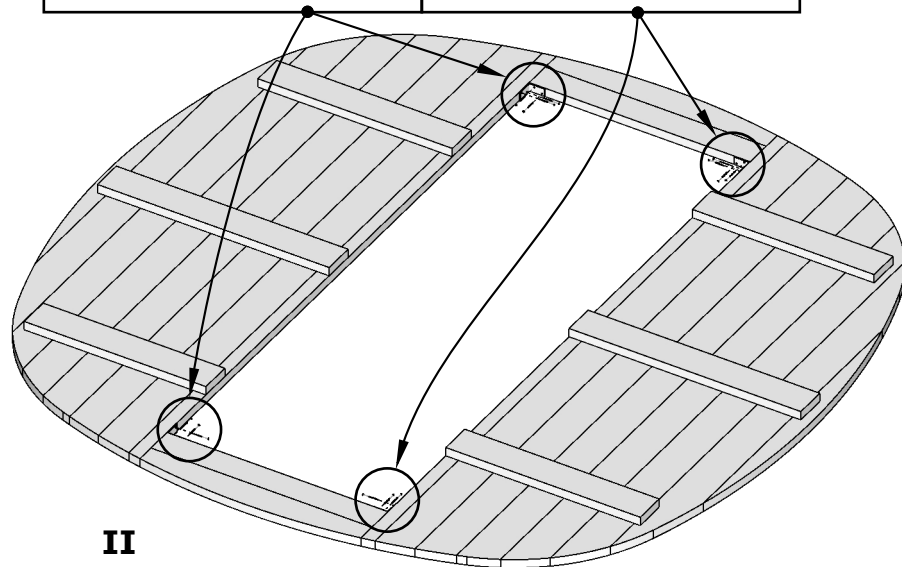


# BUS Wooden middle wall assembly

## Details

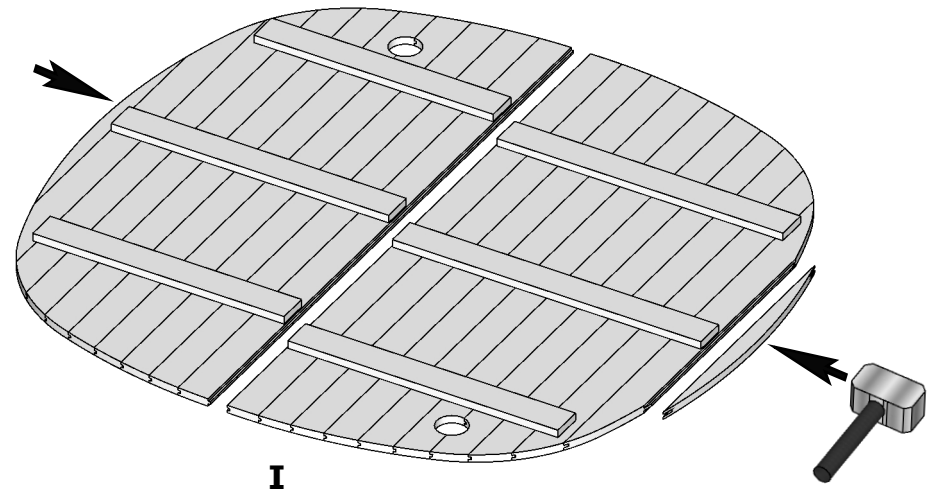
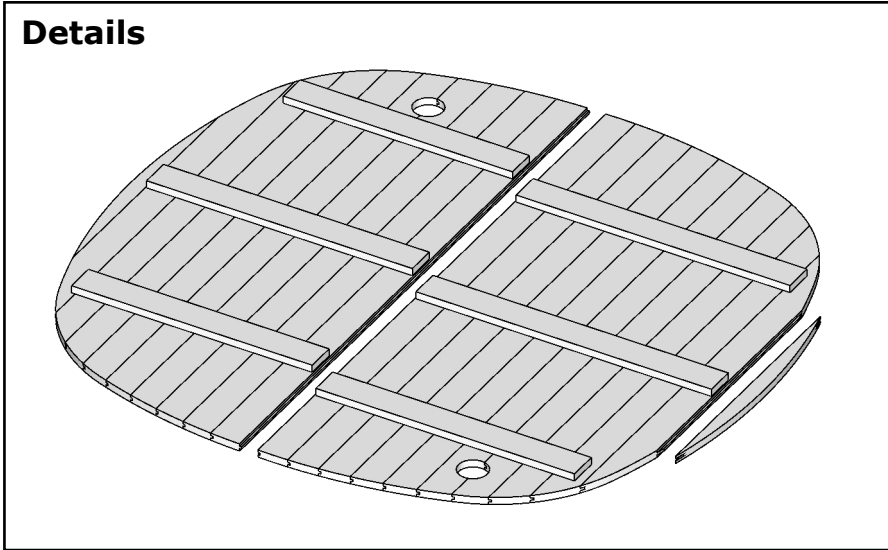


Cut board from pallet L= $\sim$ 2300mm.  
Fix it diagonally to make wall  
more rigid during the installation.

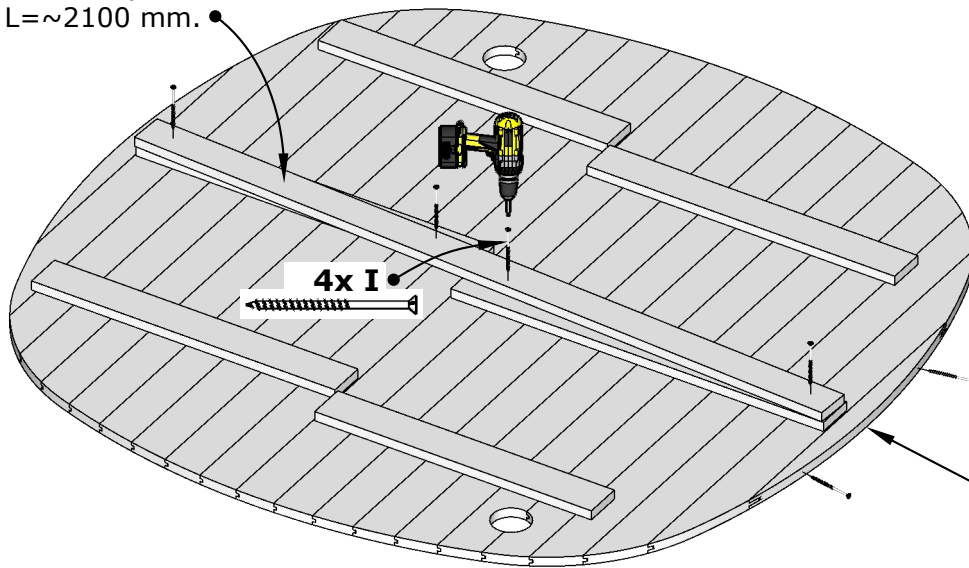


# BUS Wooden back wall assembly

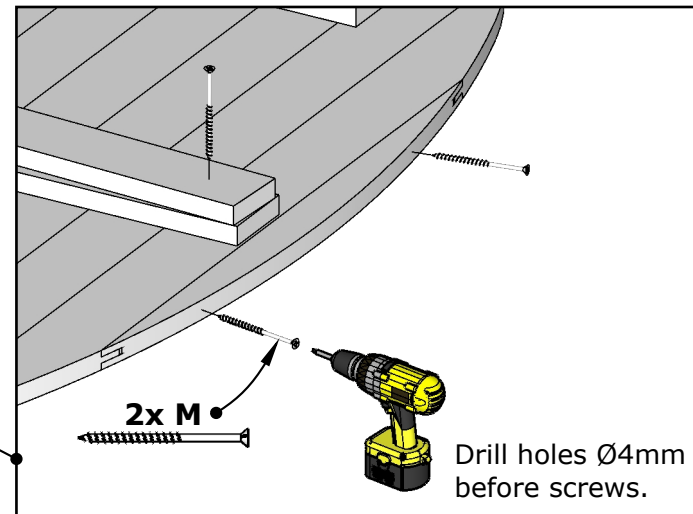
## Details



Cut board from pallet  
L≈2100 mm.

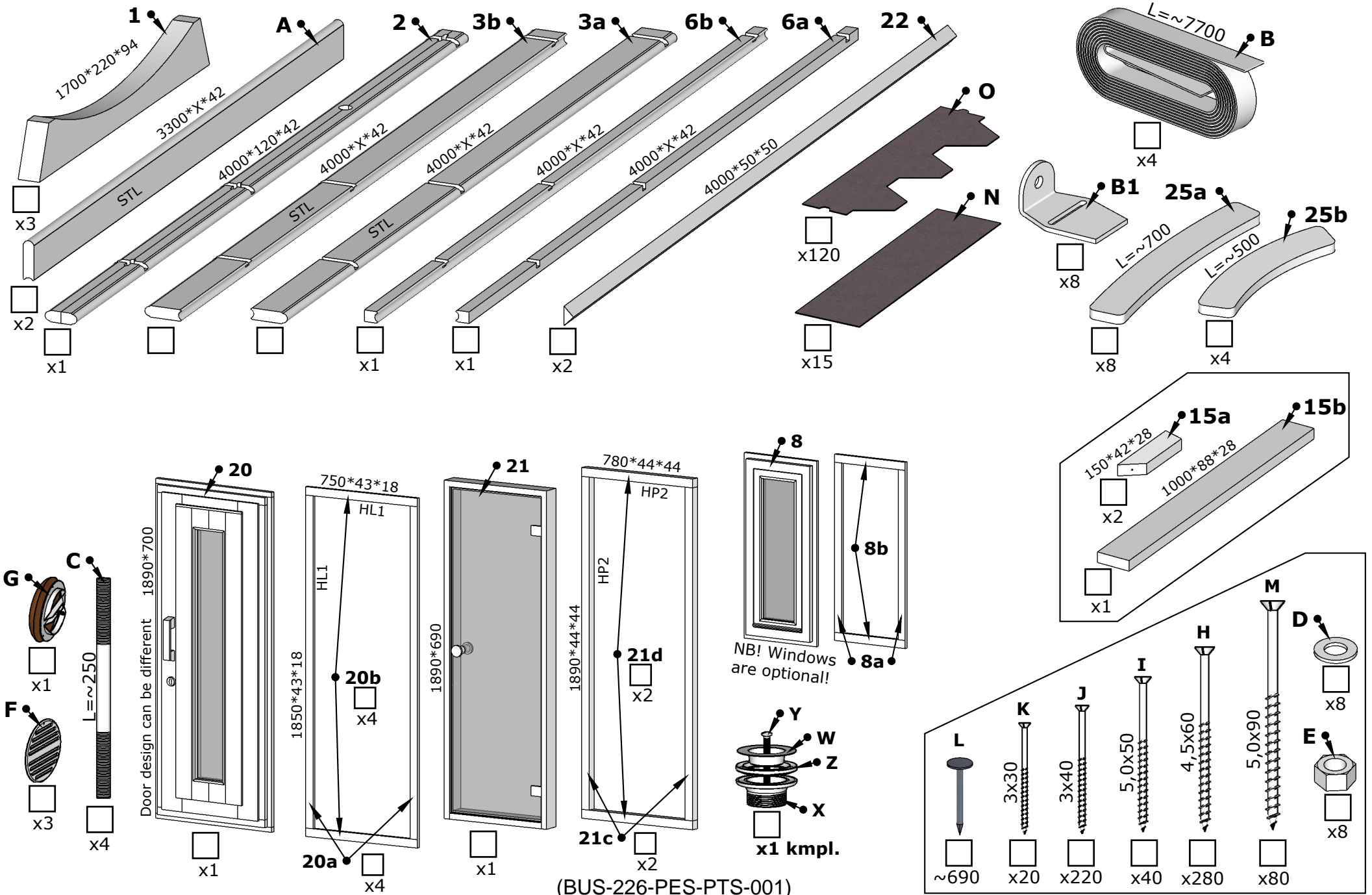


**II**



# BUS Sauna 400, Ø226

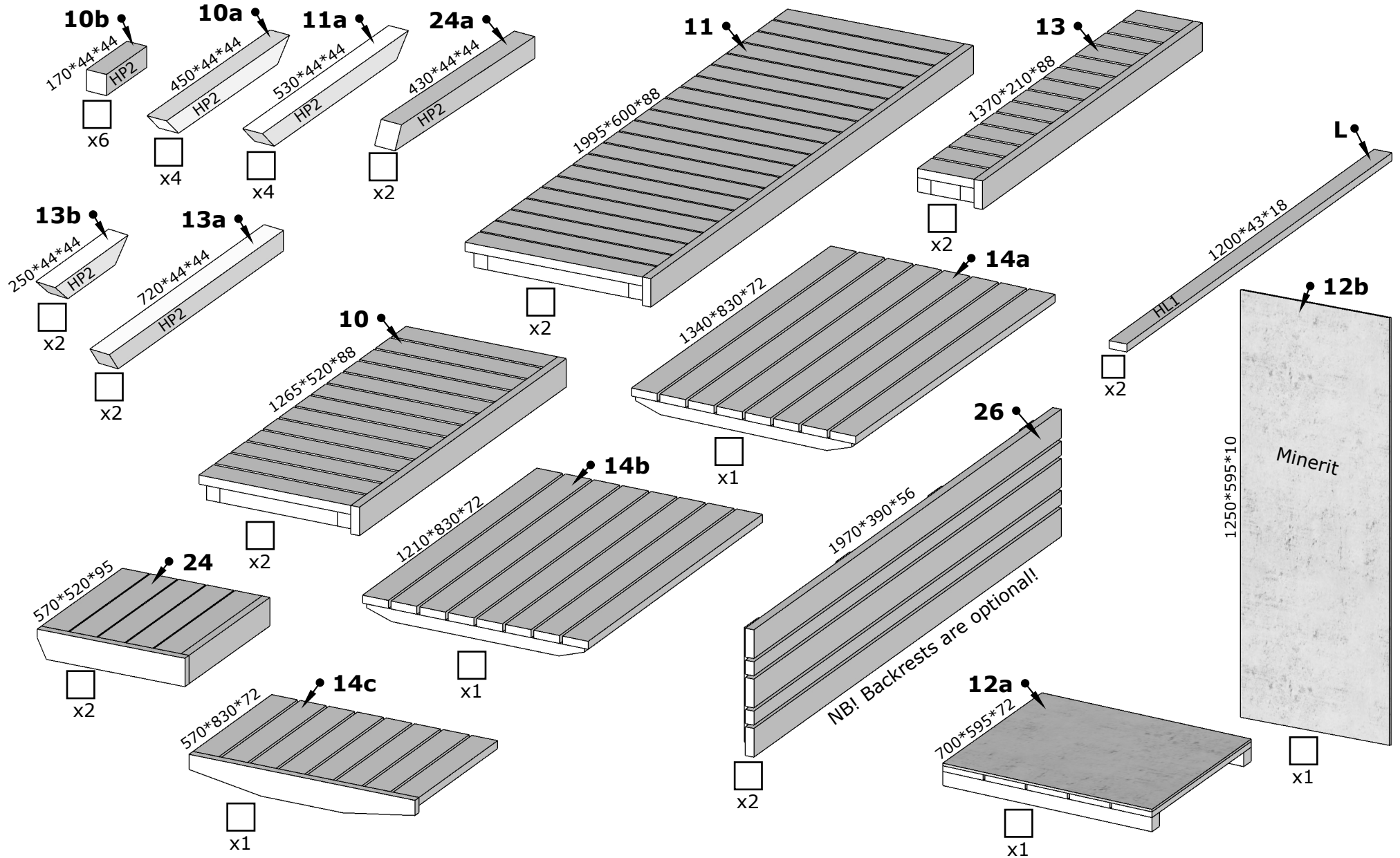
## Details list.1



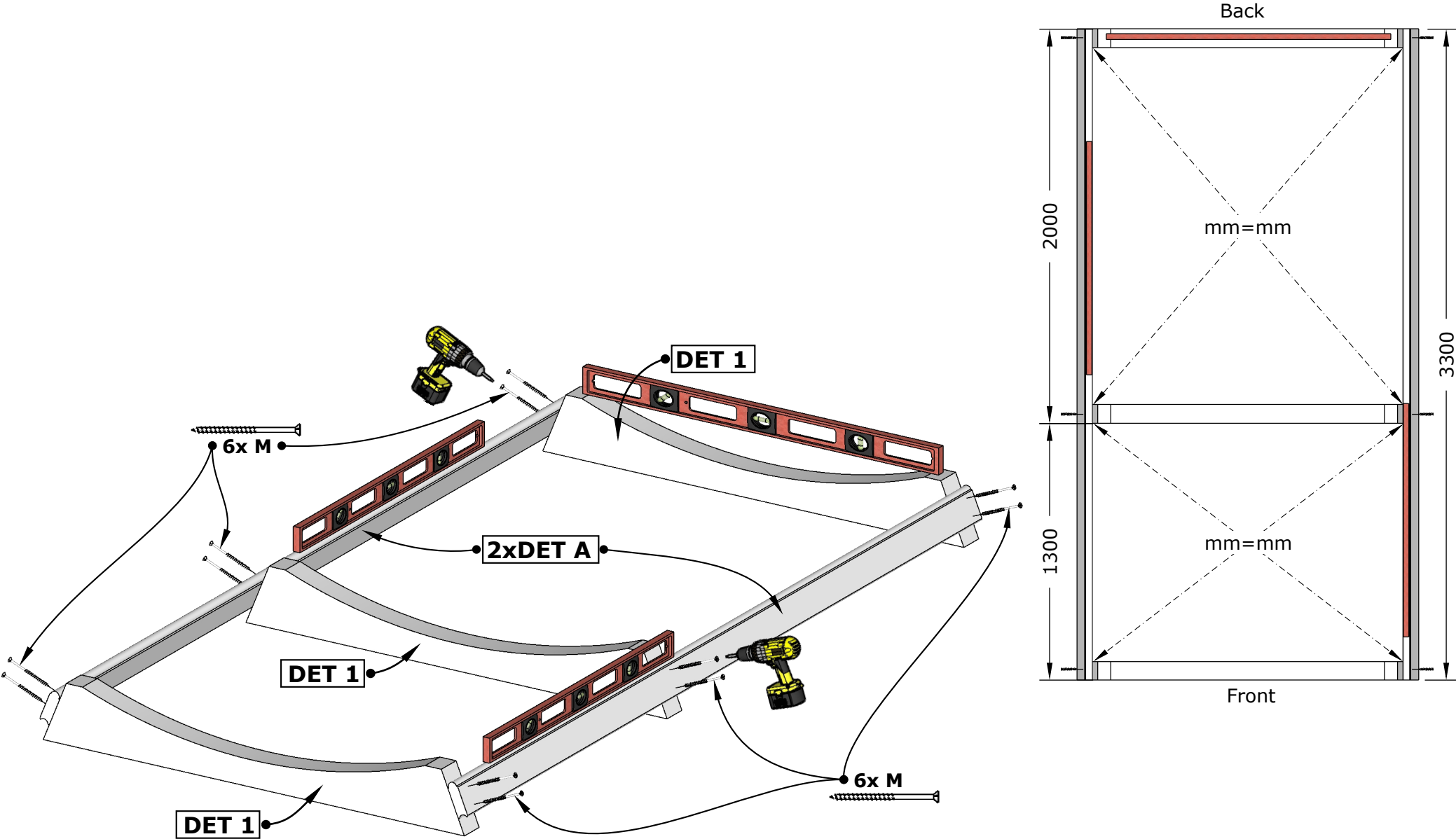
(BUS-226-PES-PTS-001)

# BUS Sauna 400, Ø226

## Details list.2



# BUS Sauna 400, Ø226

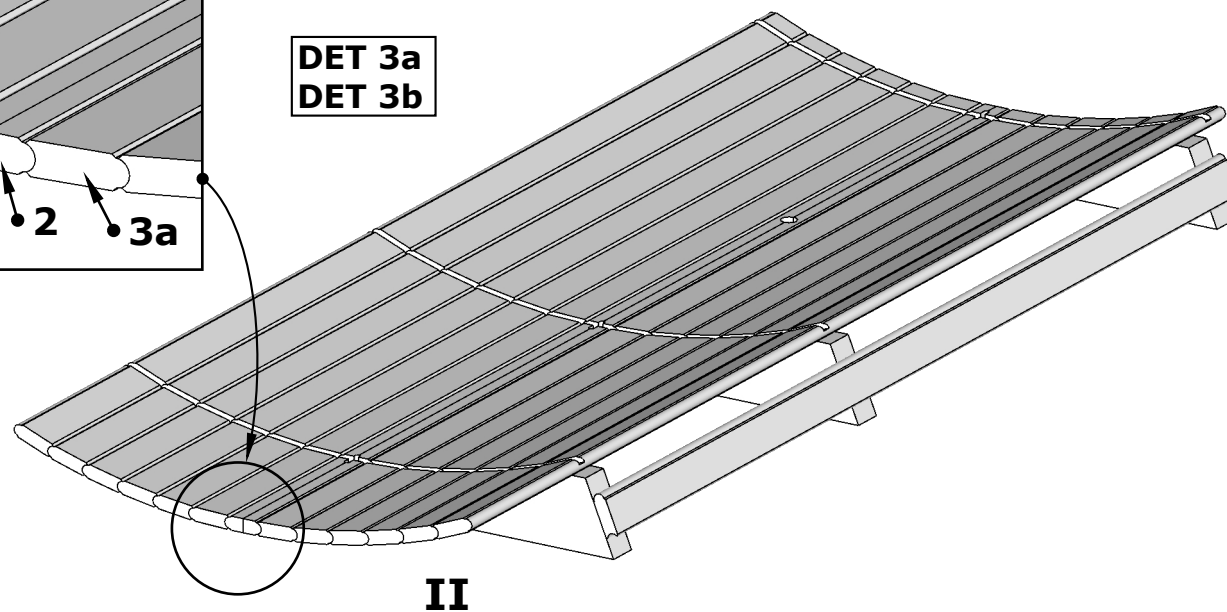
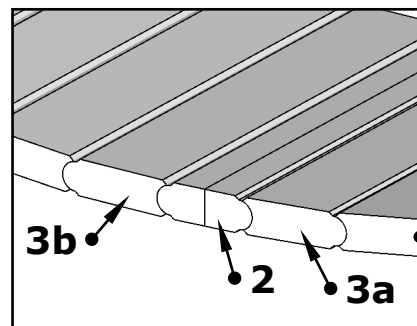
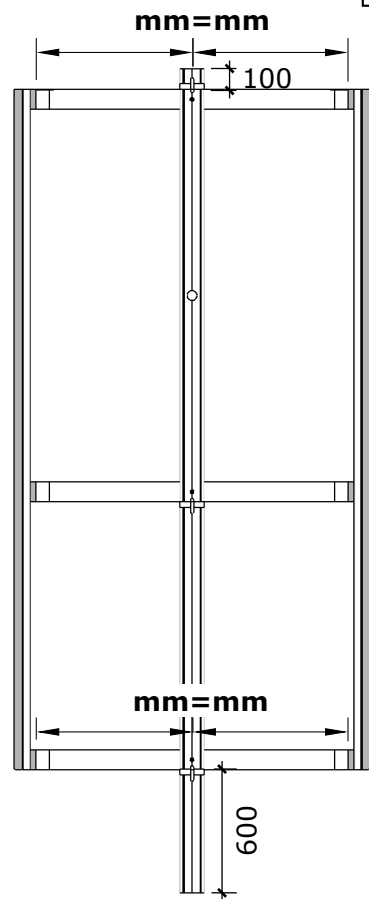
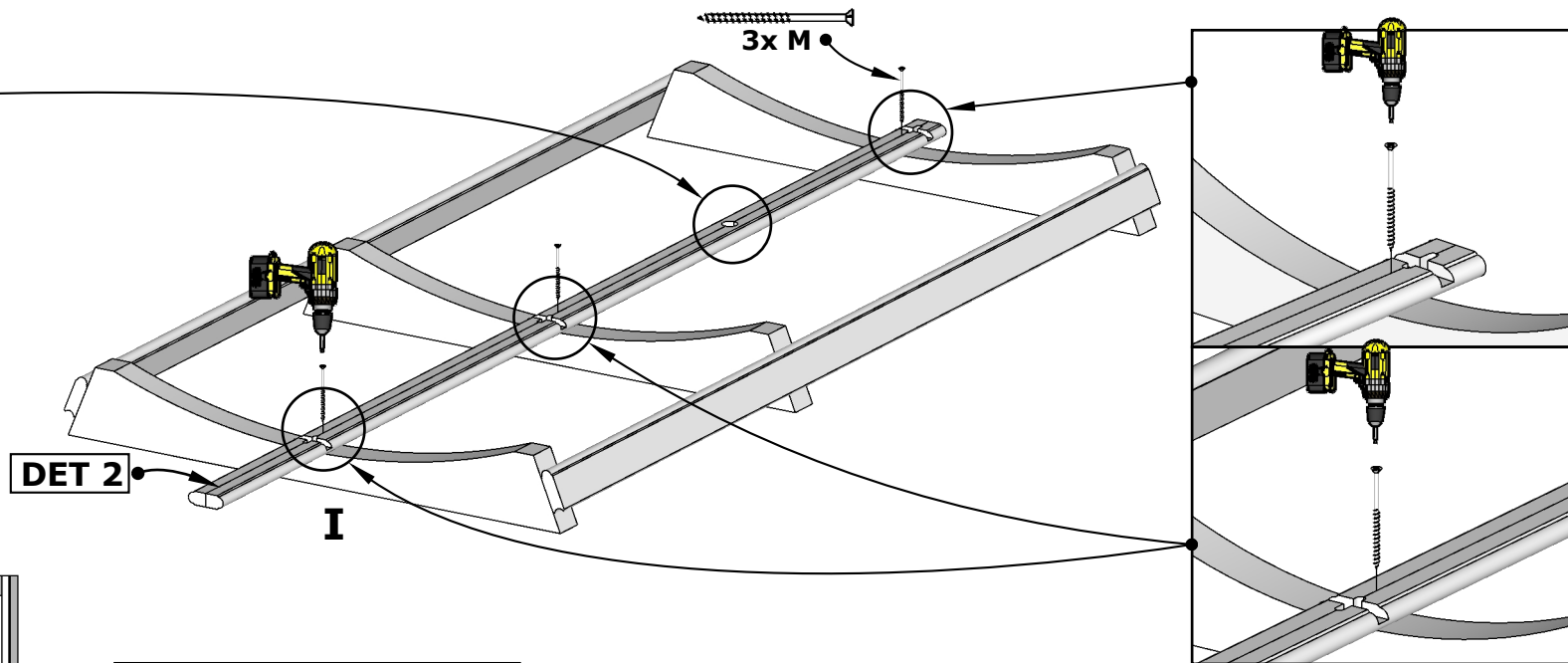
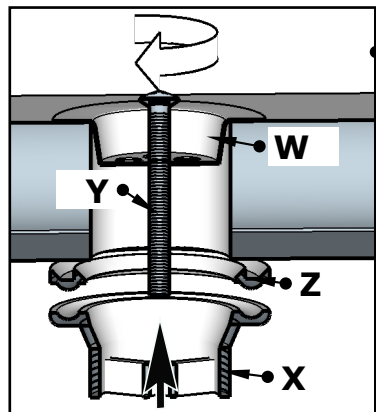


1.

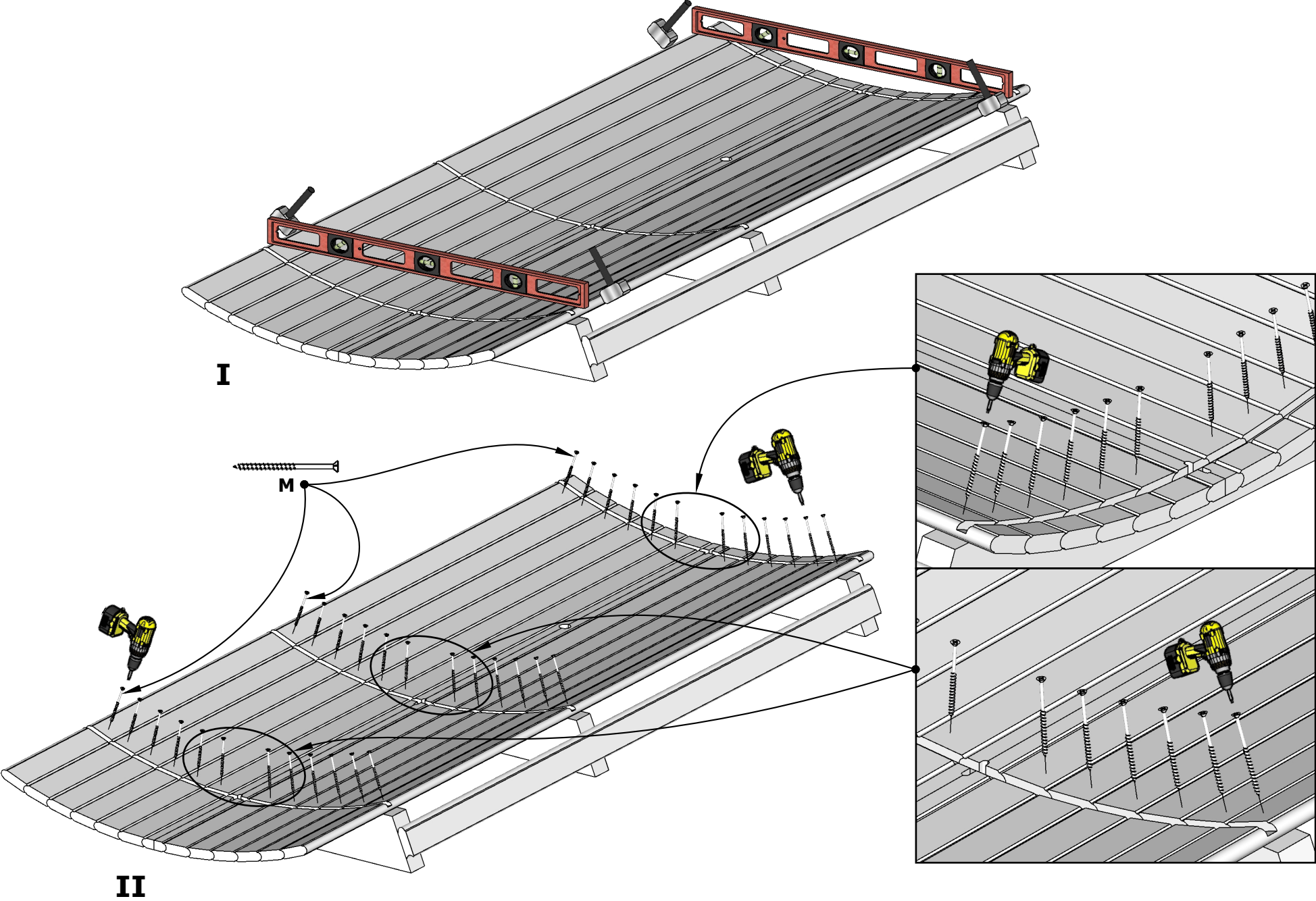
(BUS-226-PES-PTS-001)



# BUS Sauna 400, Ø226



**BUS Sauna 400, Ø226**



# BUS Sauna 400, Ø226

Use waterlevel

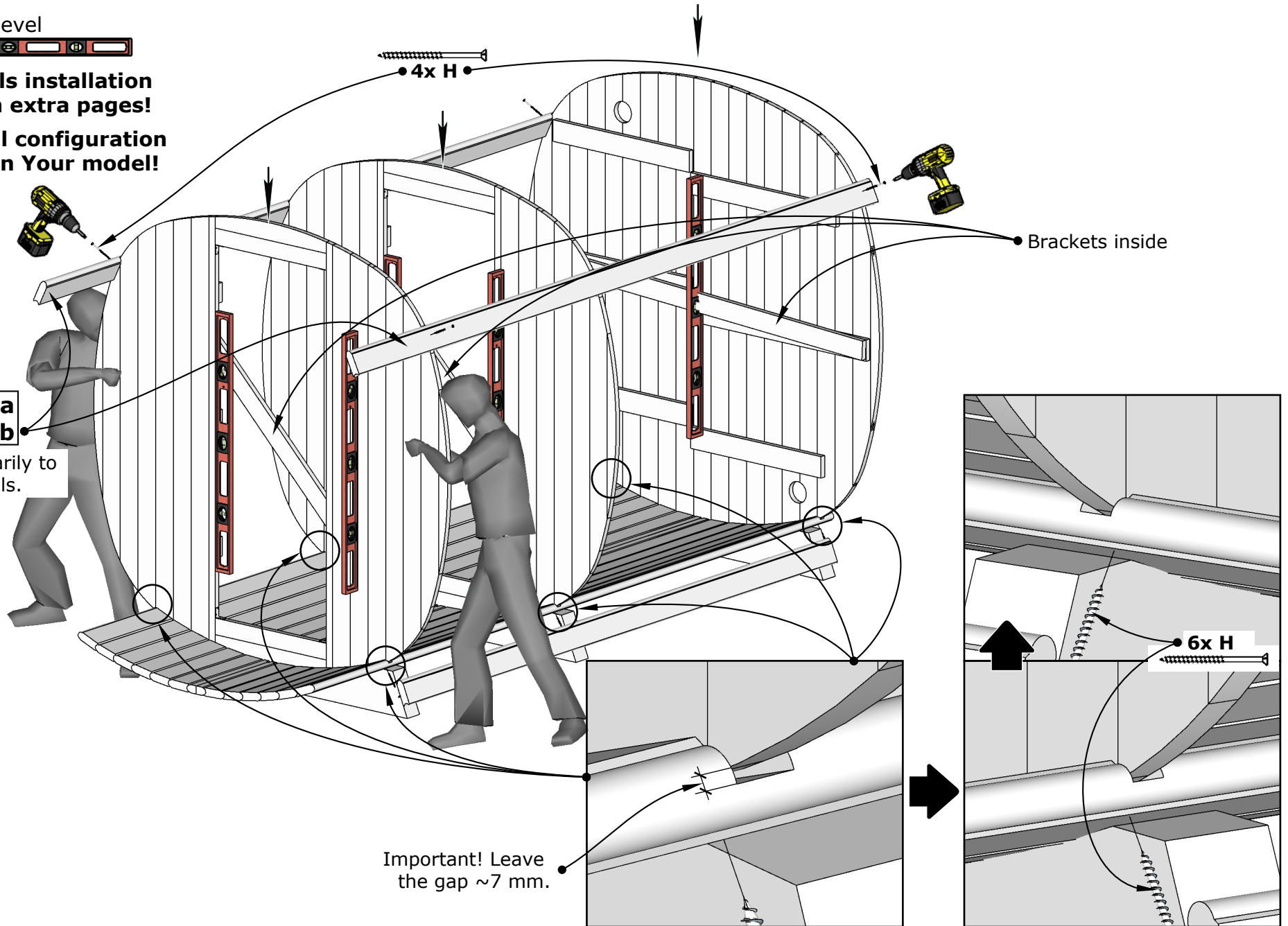


Check walls installation manual on extra pages!

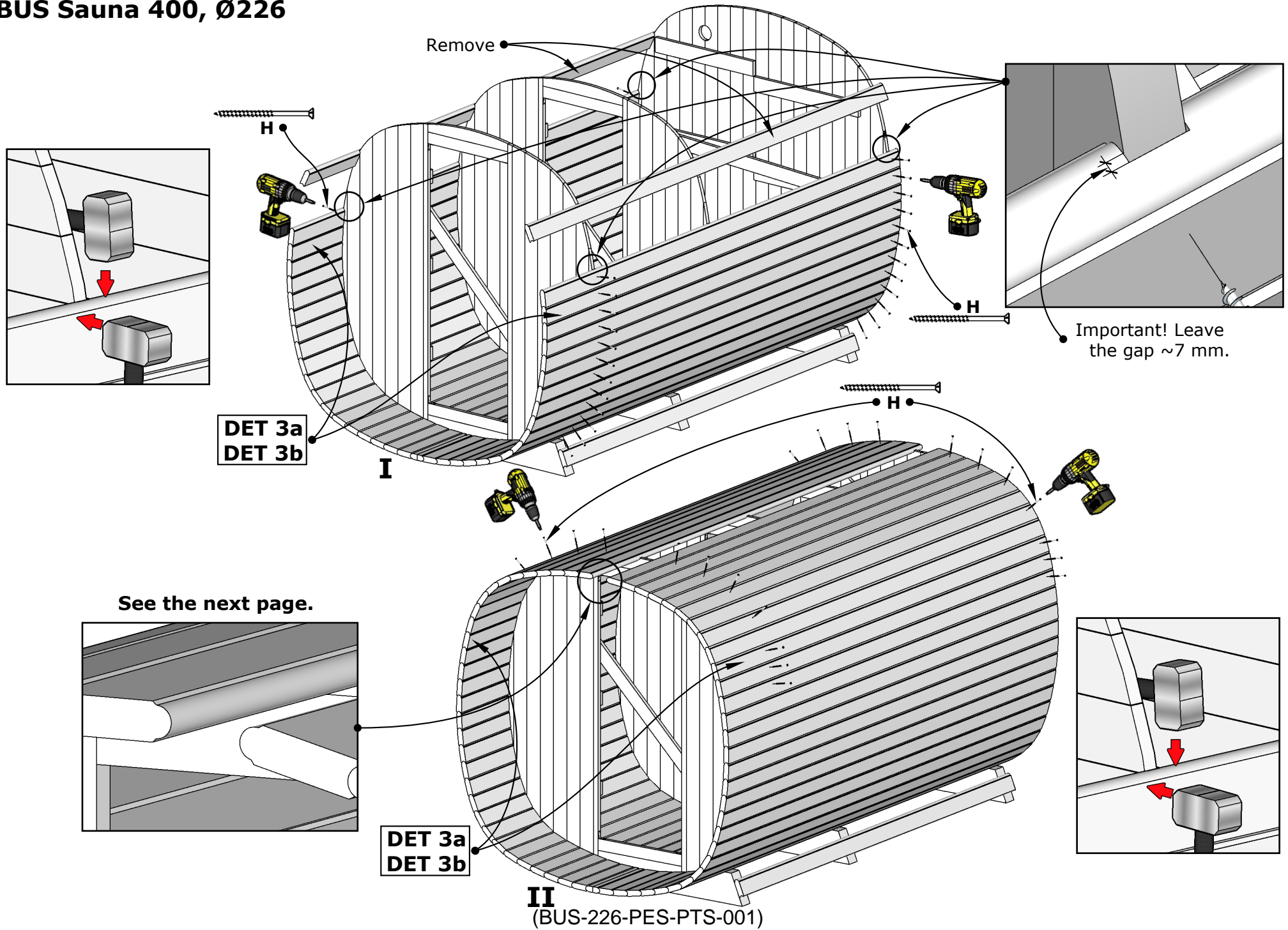
Sauna wall configuration depends on Your model!

**DET 3a**  
**DET 3b**

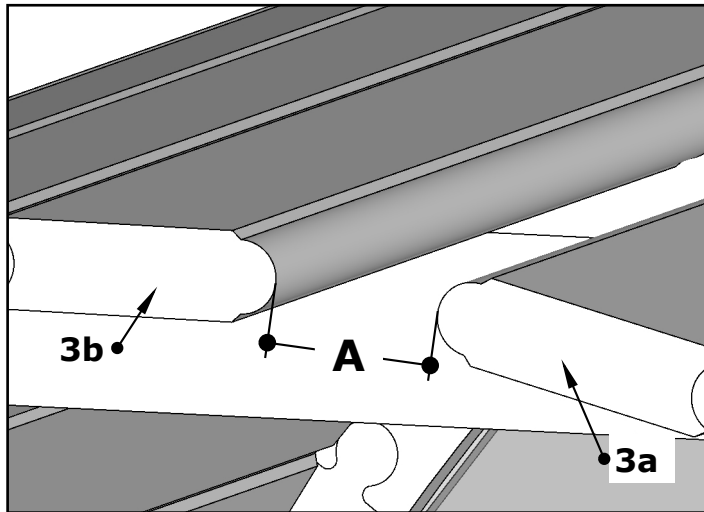
Fix temporarily to support walls.



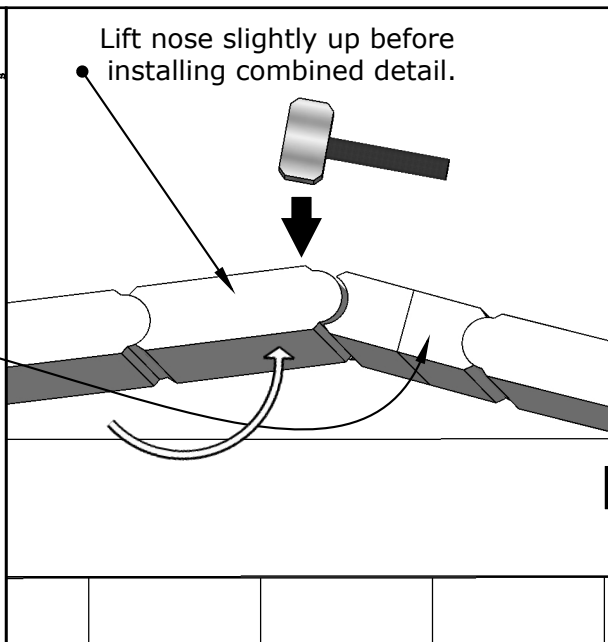
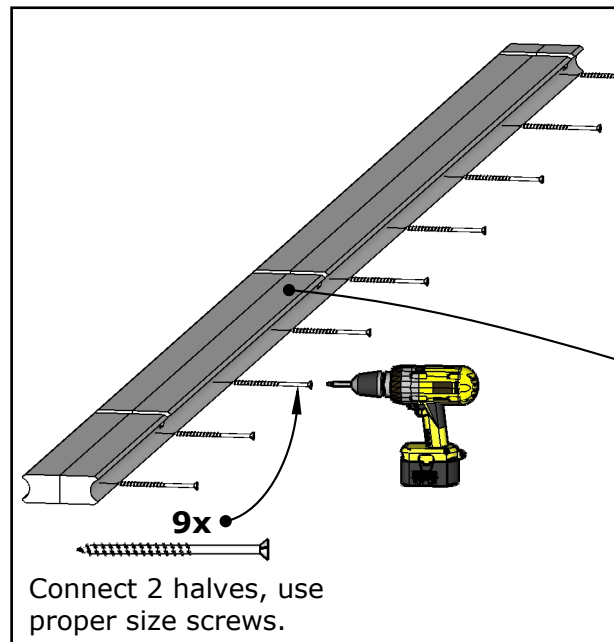
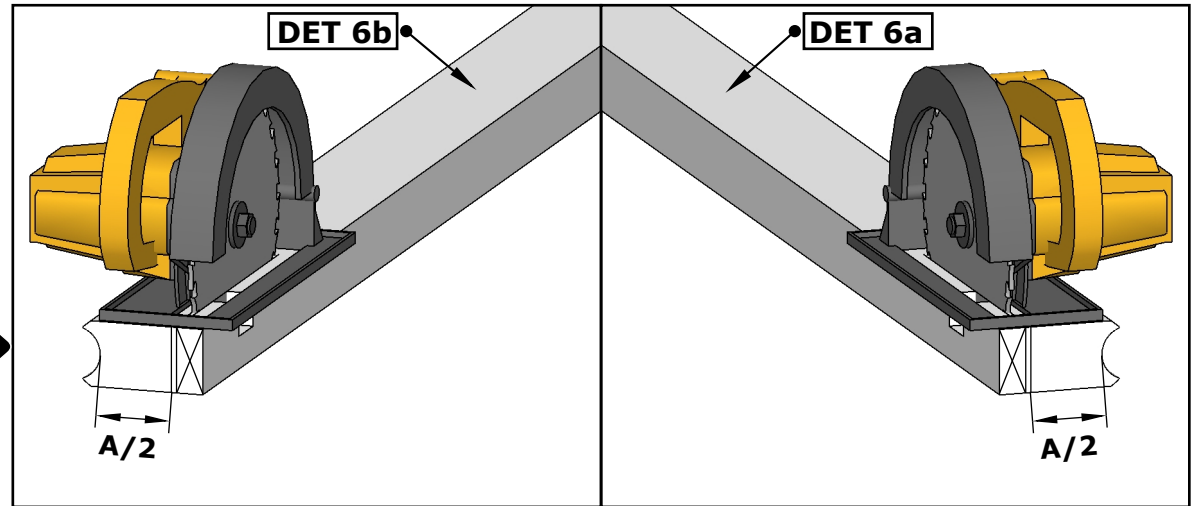
# BUS Sauna 400, Ø226



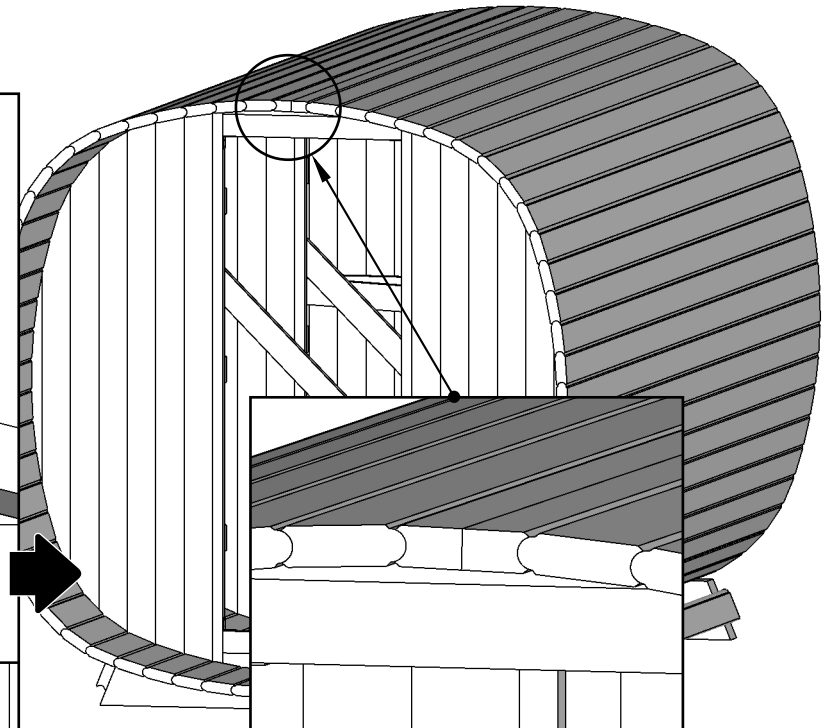
# BUS Sauna 400, Ø226



**I**



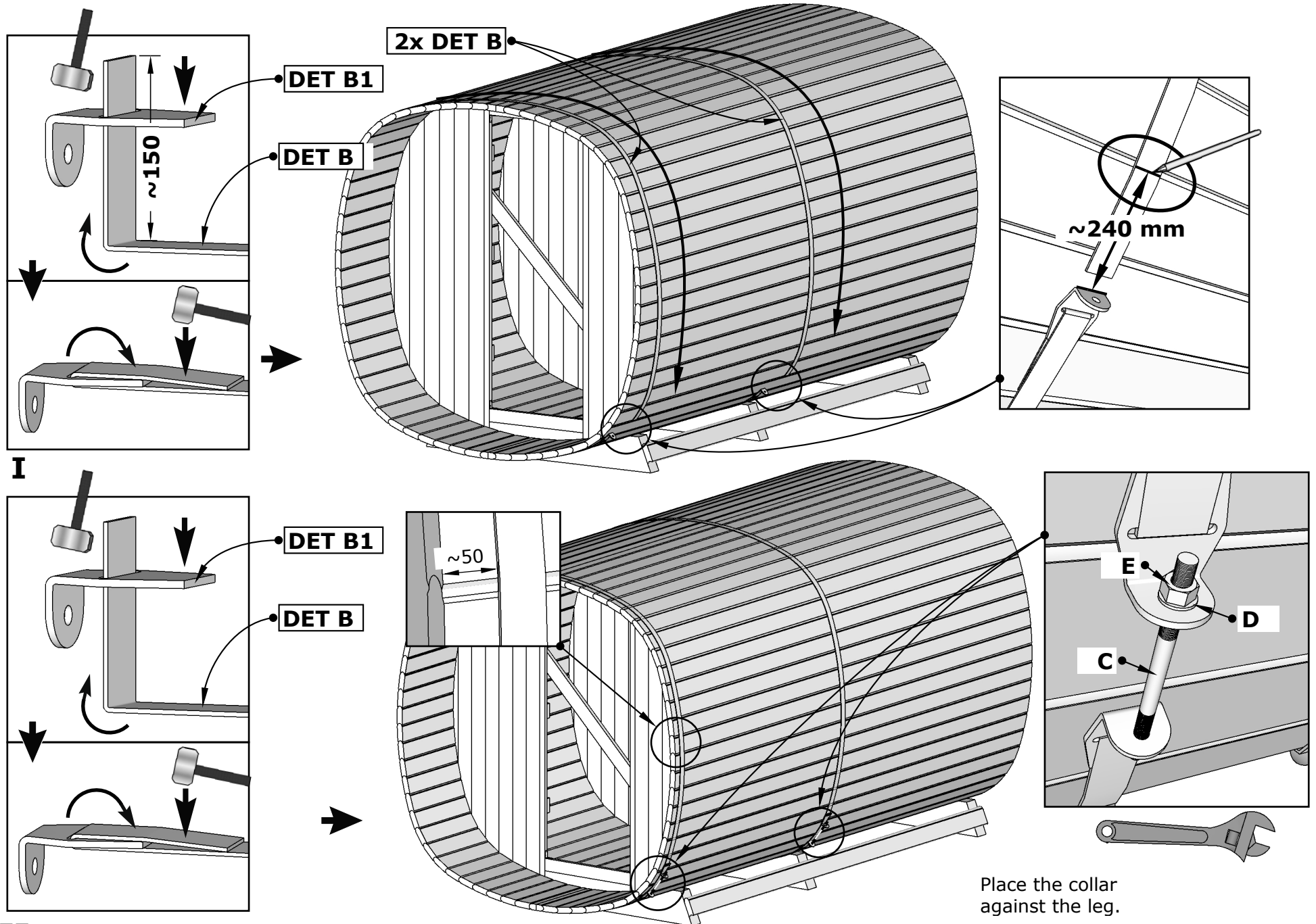
**II**



6.

(BUS-226-PES-PTS-001)

# BUS Sauna 400, Ø226

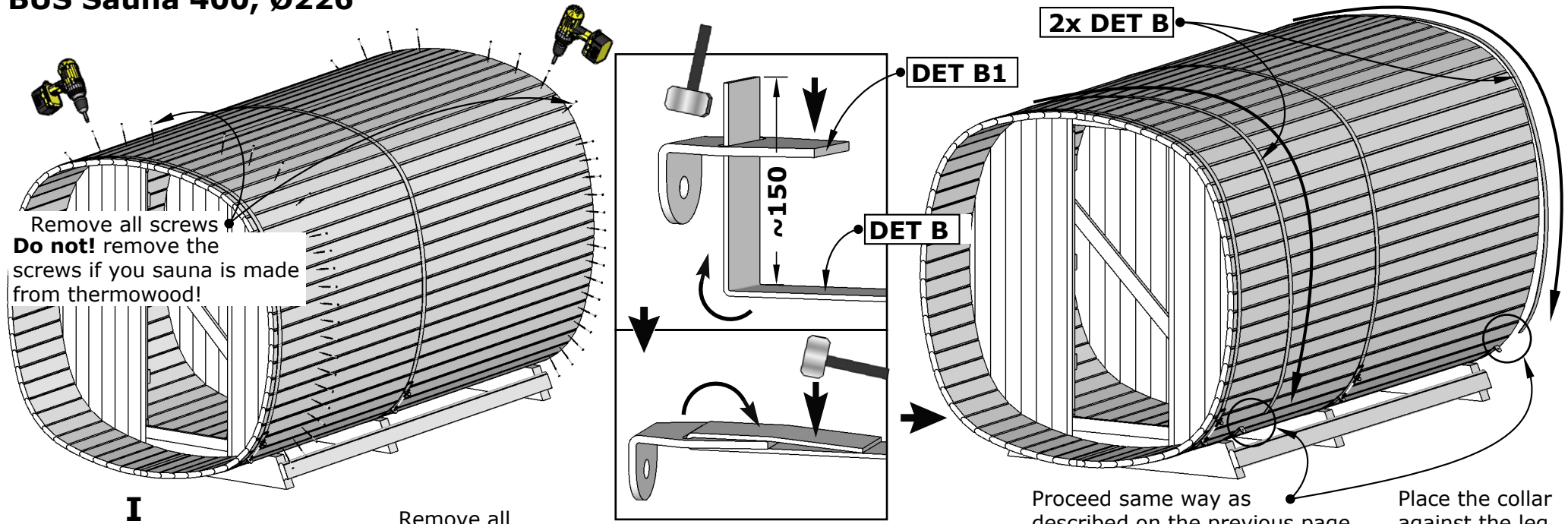


7.

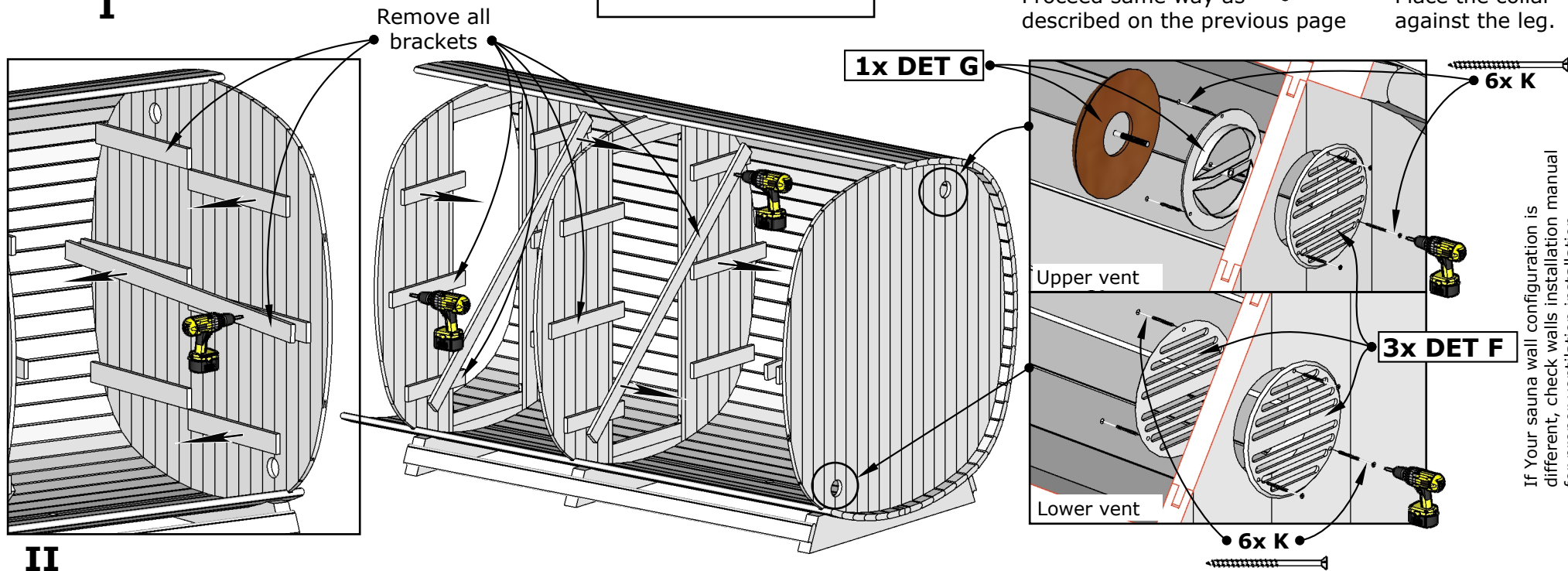
II

(BUS-226-PES-PTS-001)

# BUS Sauna 400, Ø226



**I**



**II**

8.

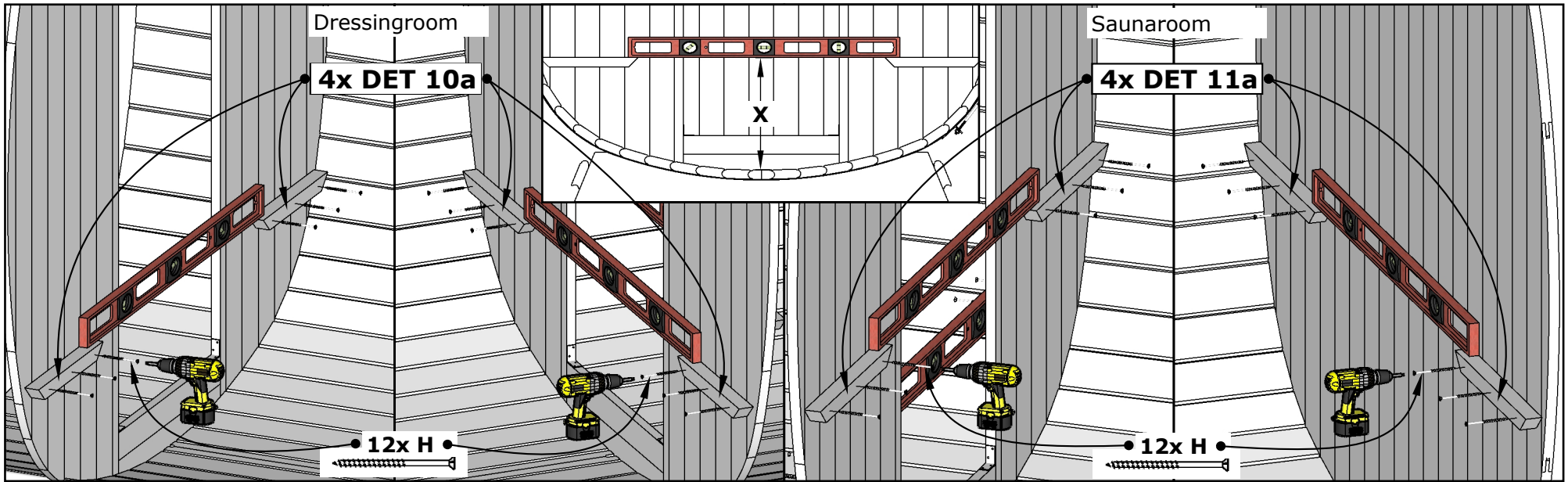
(BUS-226-PES-PTS-001)

If Your sauna wall configuration is different, check walls installation manual for proper ventilation installation.

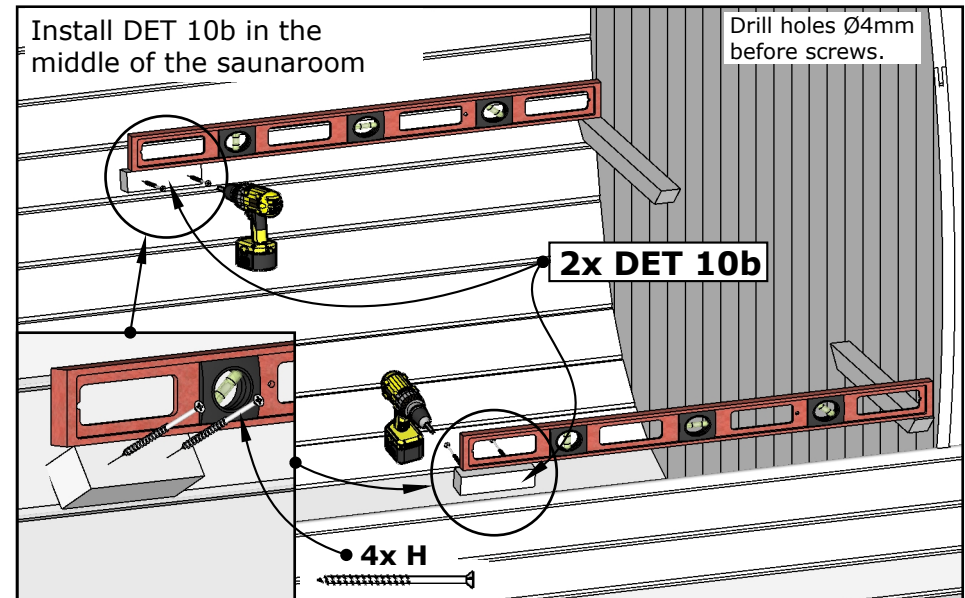
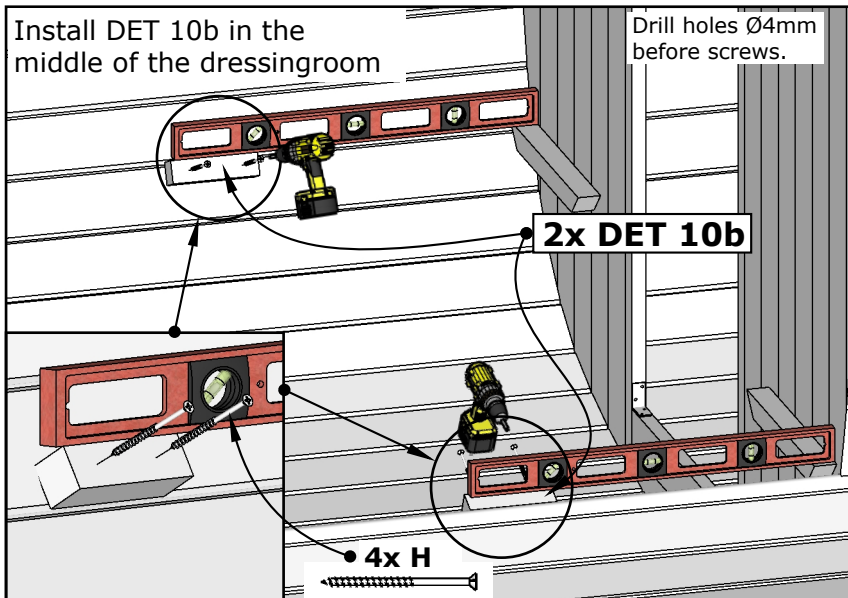
# BUS Sauna 400, Ø226

Dressingroom X= 490mm.

Saunaroom X= 790mm.



**I** NB! If Your sauna equipped with front glass-wall, the sauna benches installation manual included in front glass-wall installation manual.

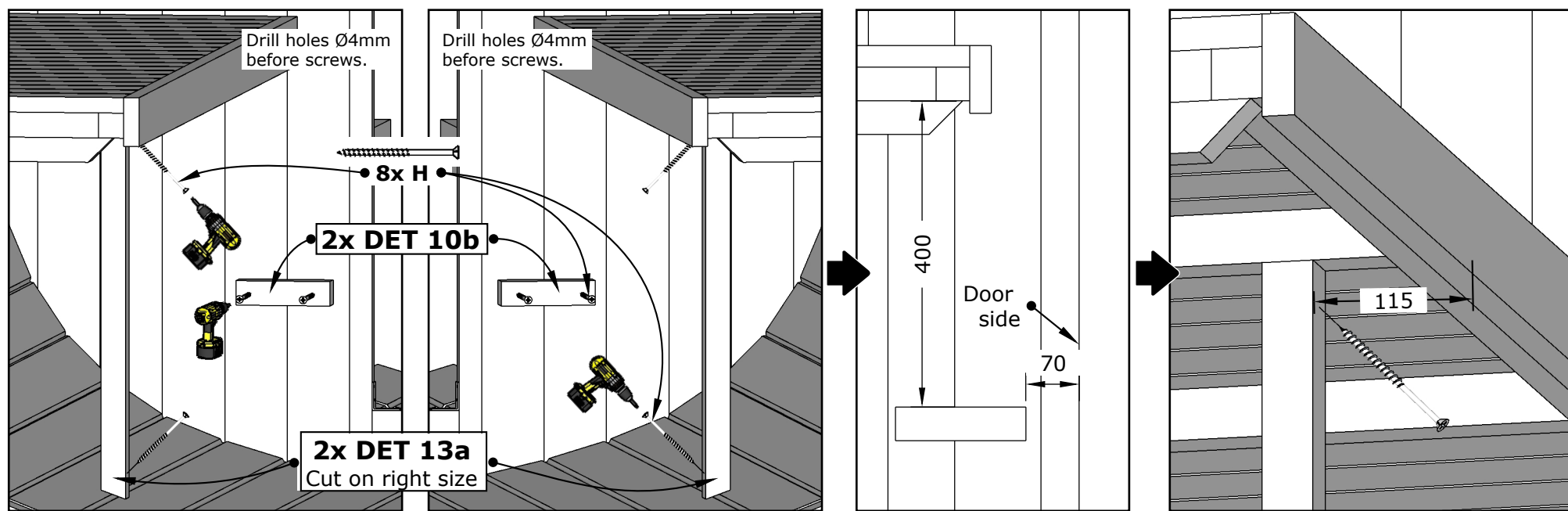
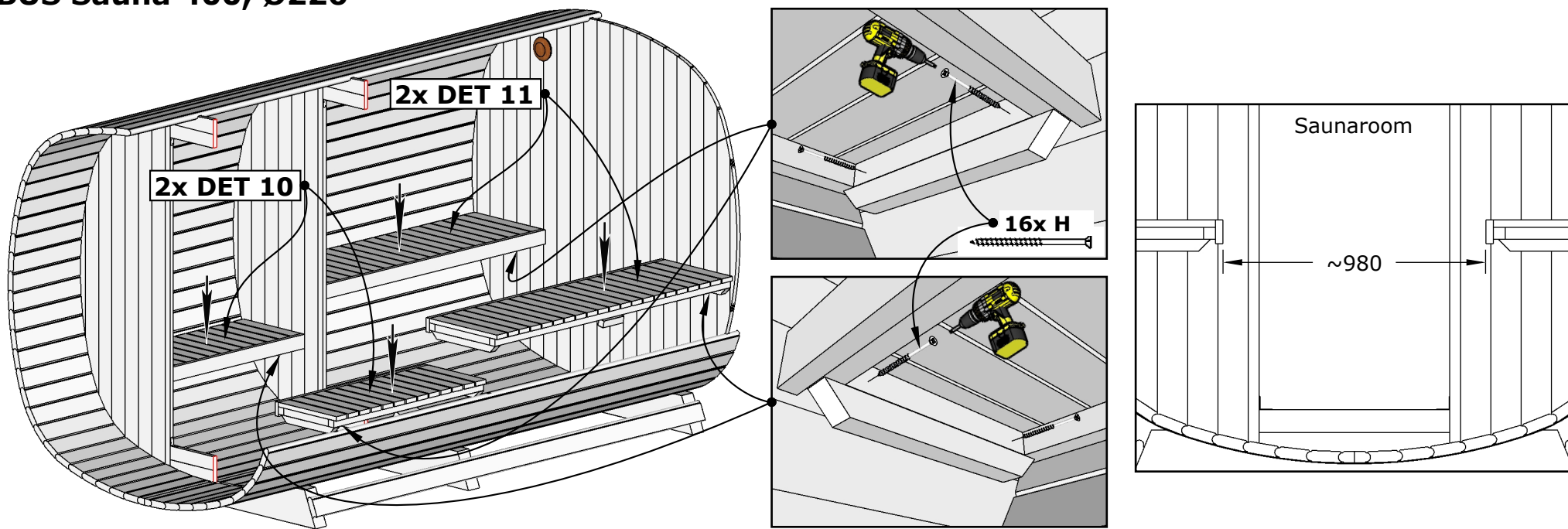


9. **II**

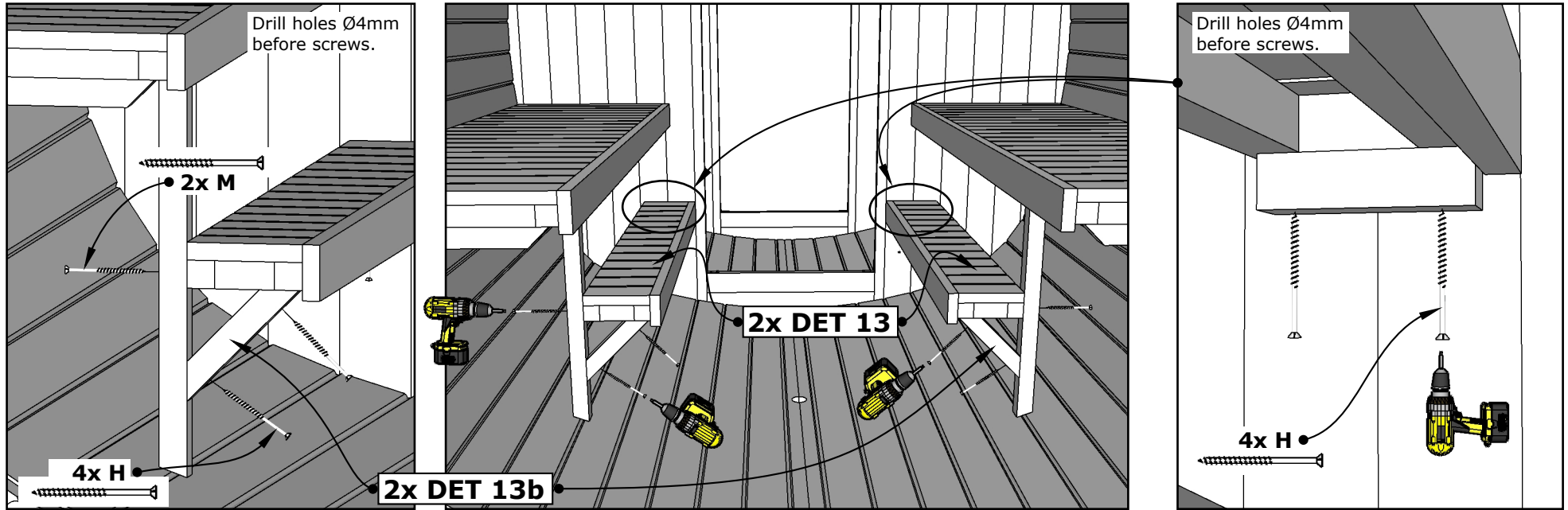
(BUS-226-PES-PTS-001)



# BUS Sauna 400, Ø226

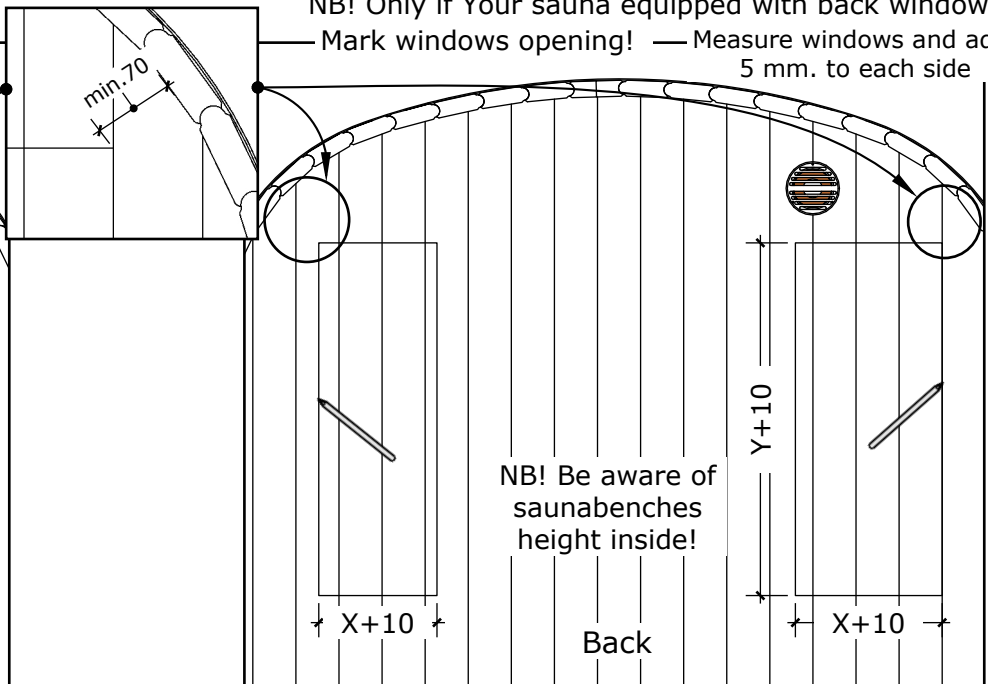
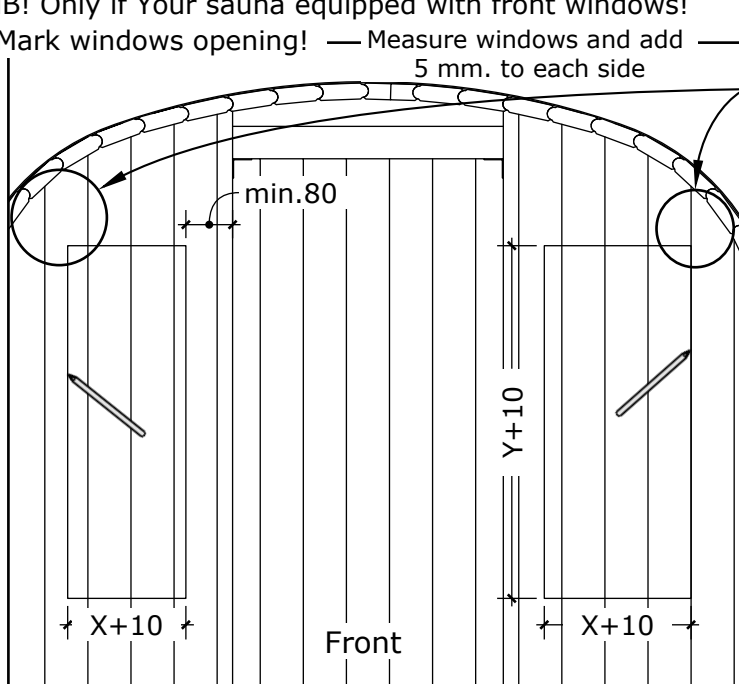
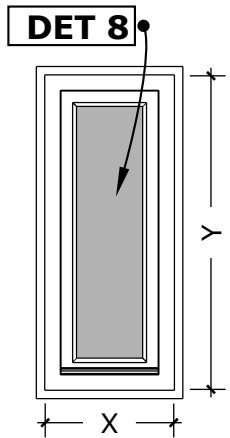


# BUS Sauna 400, Ø226



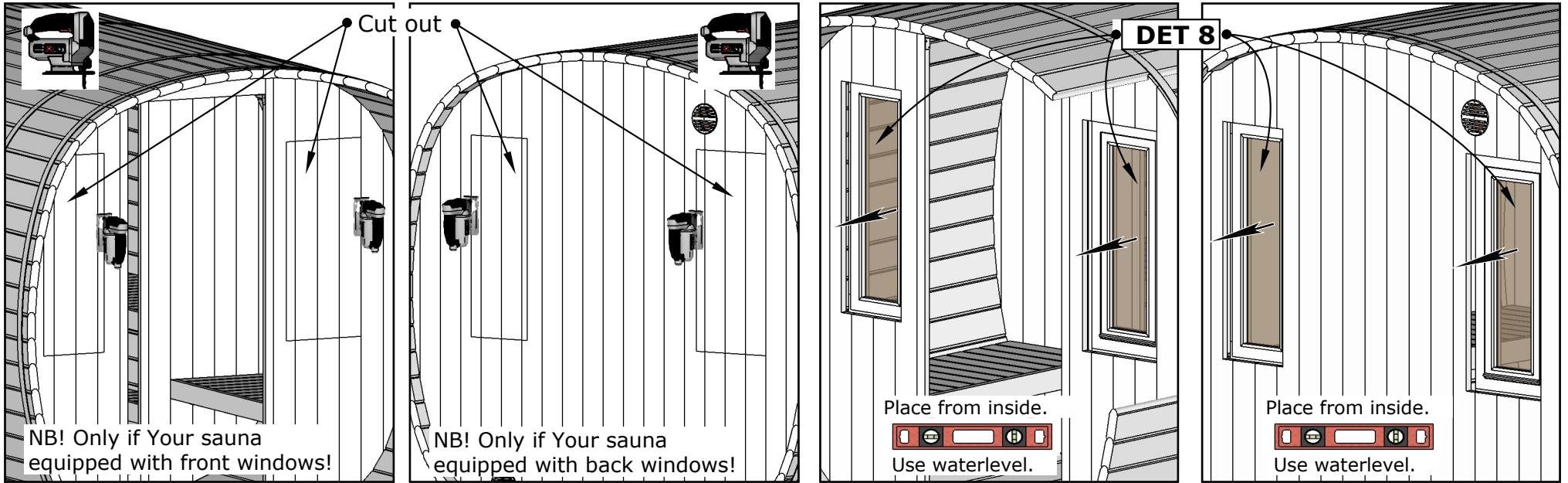
NB! Only if Your sauna equipped with front windows!  
 Mark windows opening! — Measure windows and add 5 mm. to each side

NB! Only if Your sauna equipped with back windows!  
 Mark windows opening! — Measure windows and add 5 mm. to each side

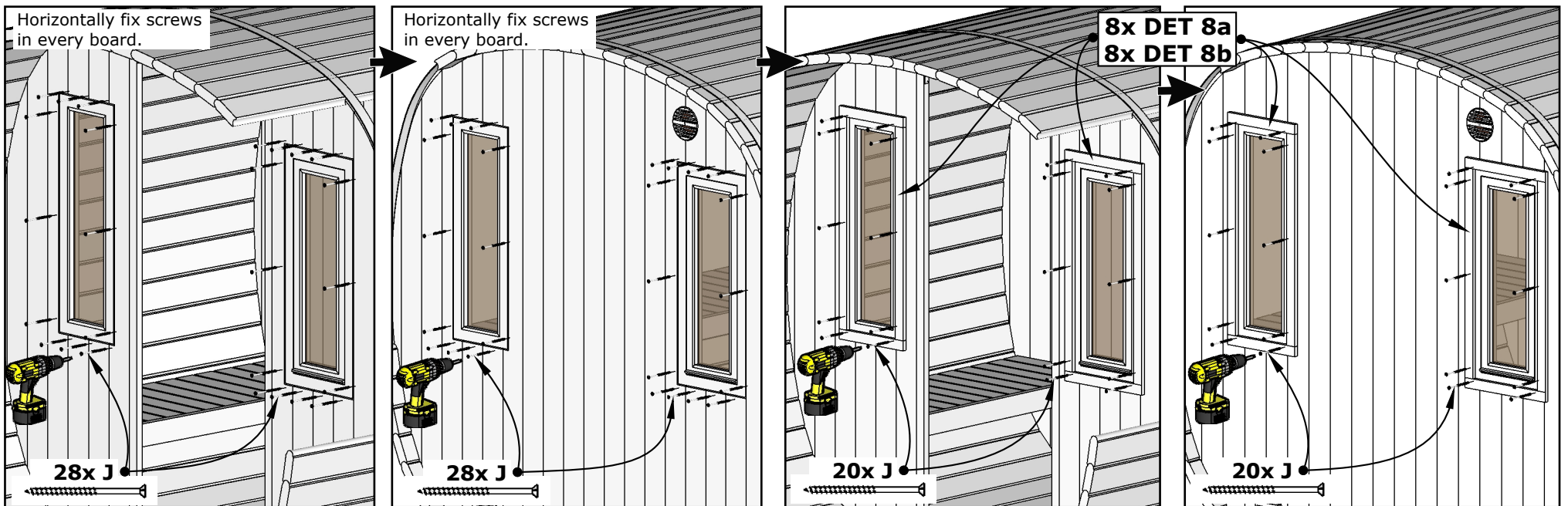


NB! Pay attention to window casement fitting!

# BUS Sauna 400, Ø226

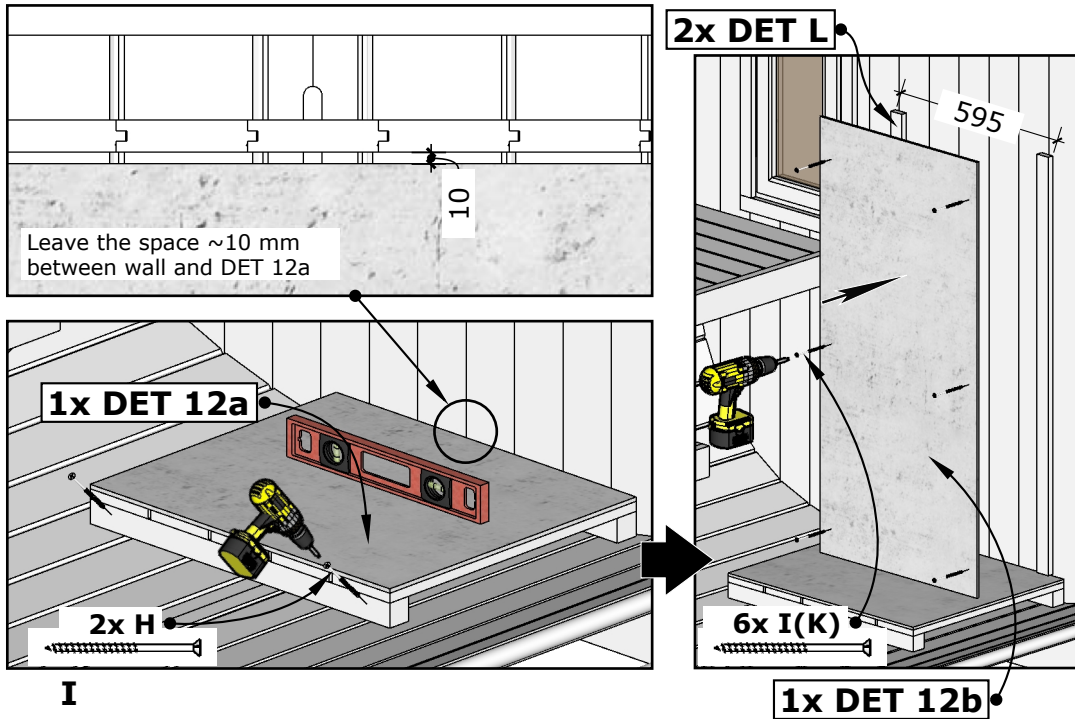


**I**

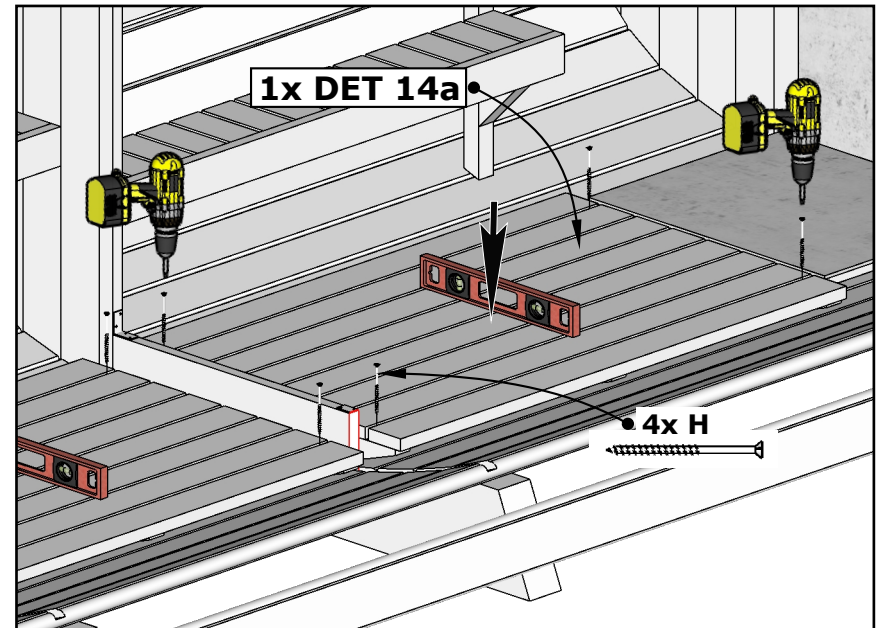
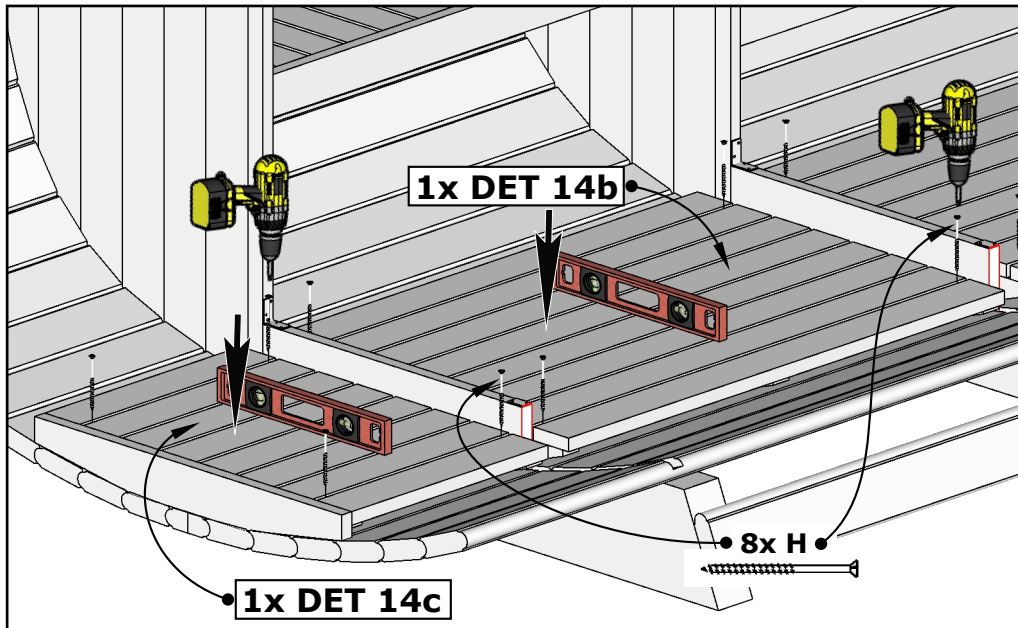
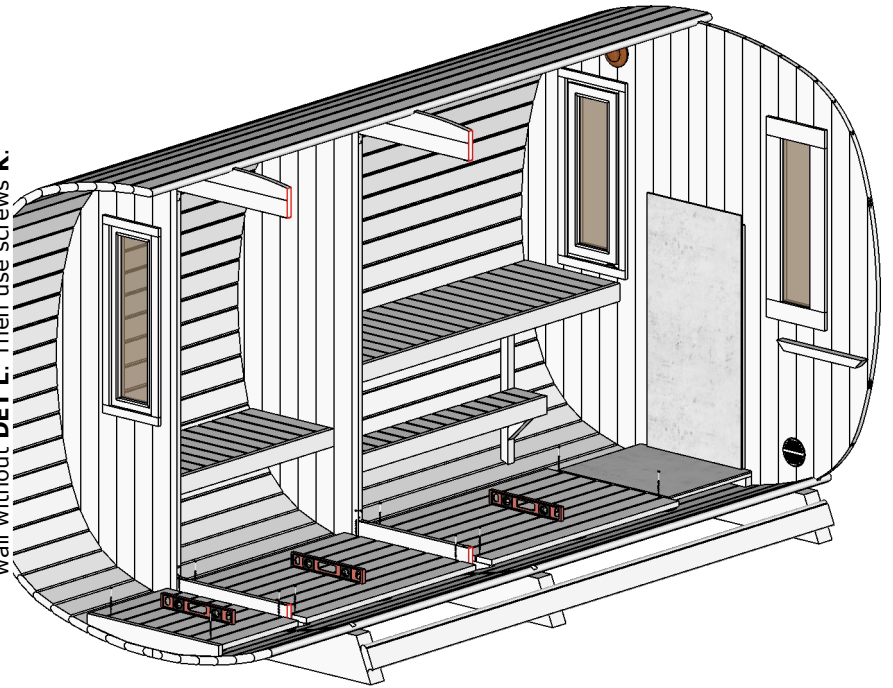


**12. II**

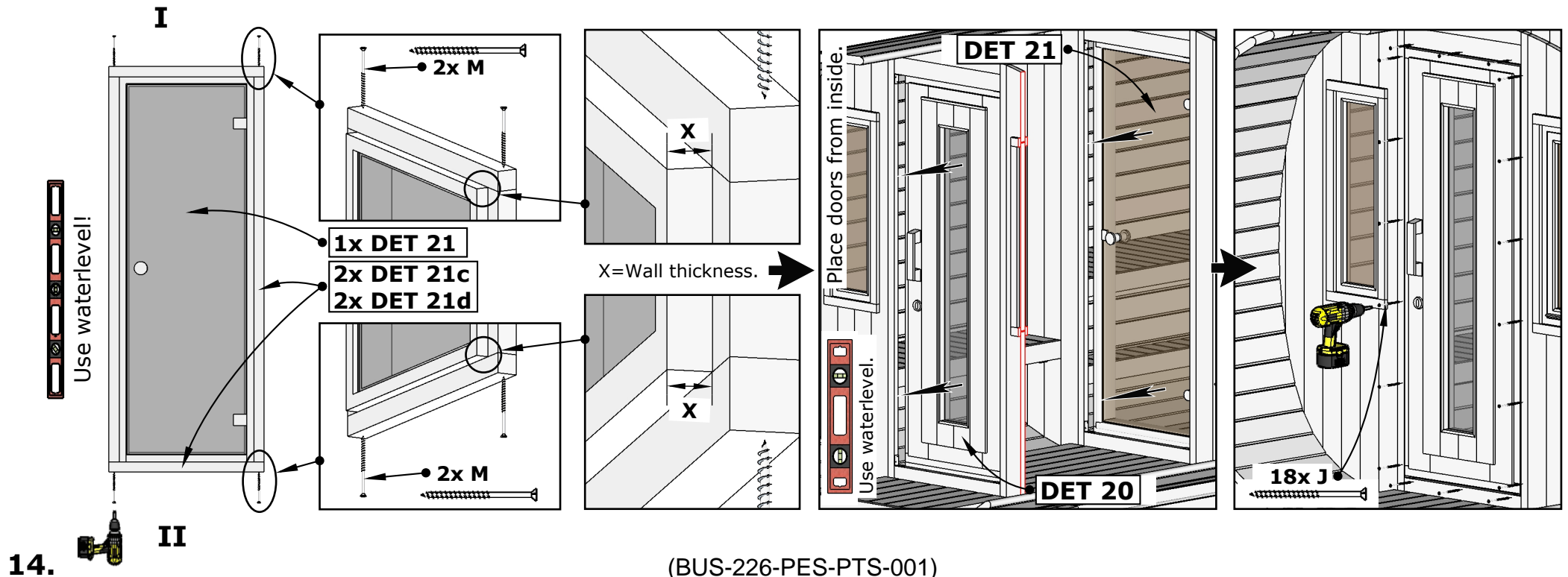
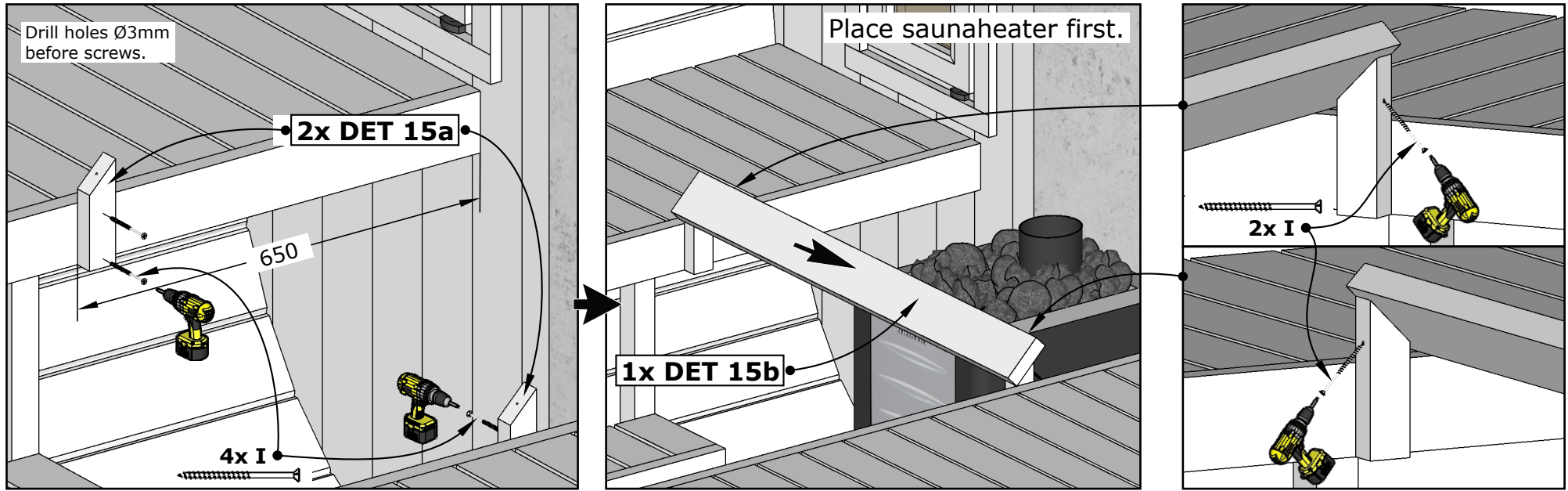
# BUS Sauna 400, Ø226



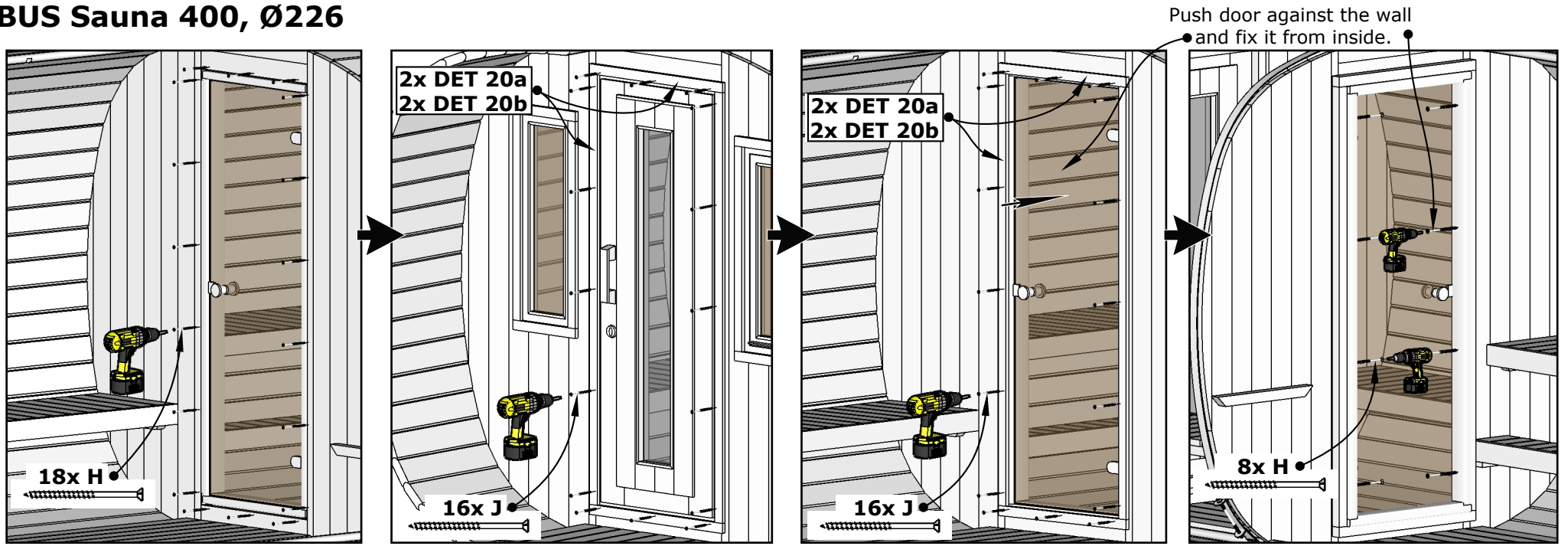
If Your sauna equipped with electrical heater, fix DET 12 b directly to the wall without DET L. Then use screws K.



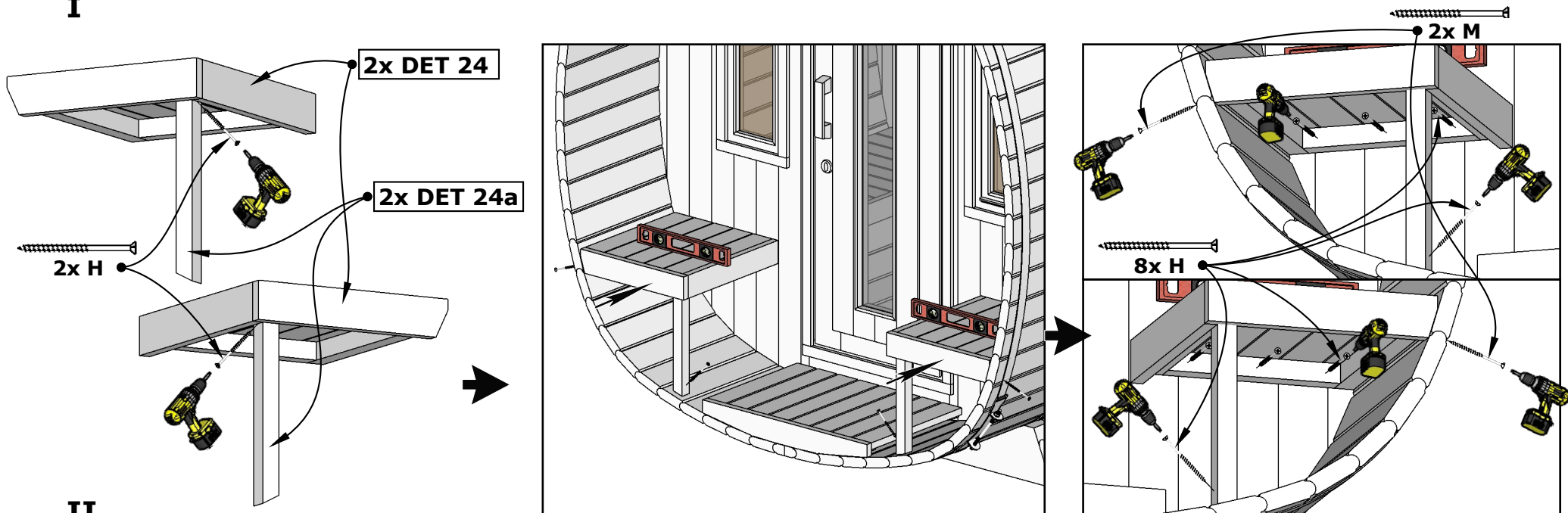
# BUS Sauna 400, Ø226



# BUS Sauna 400, Ø226



I

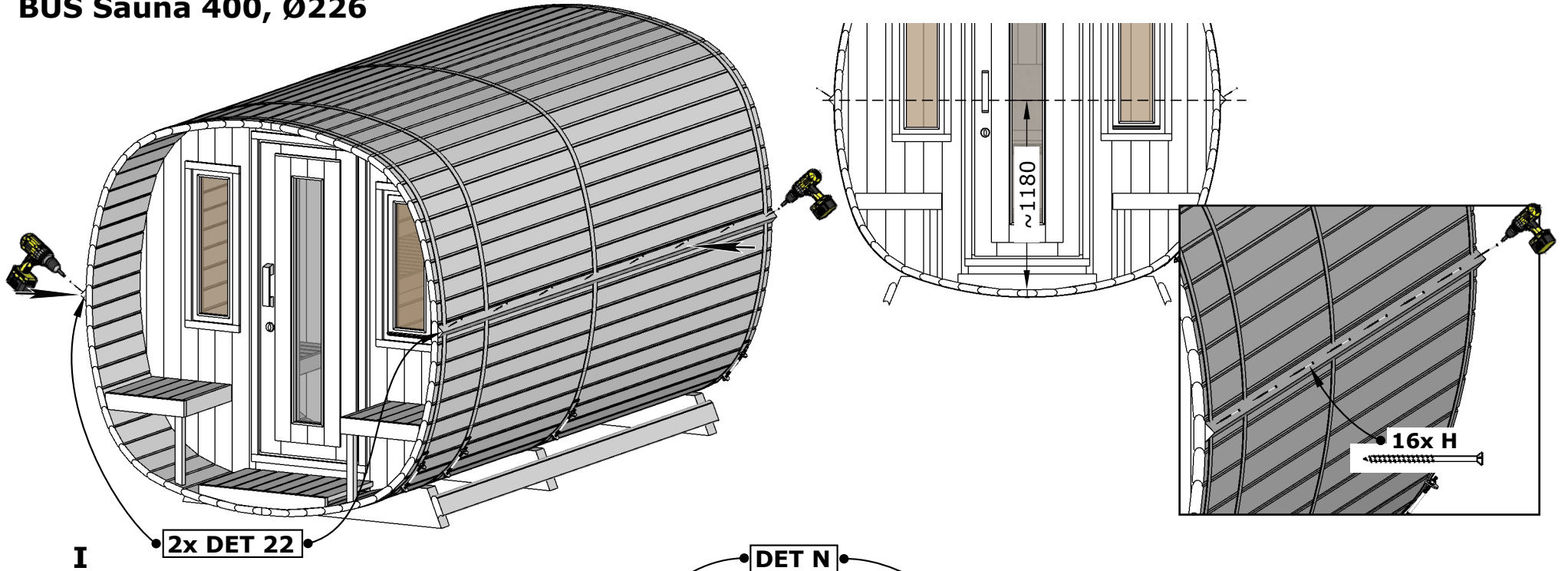


II

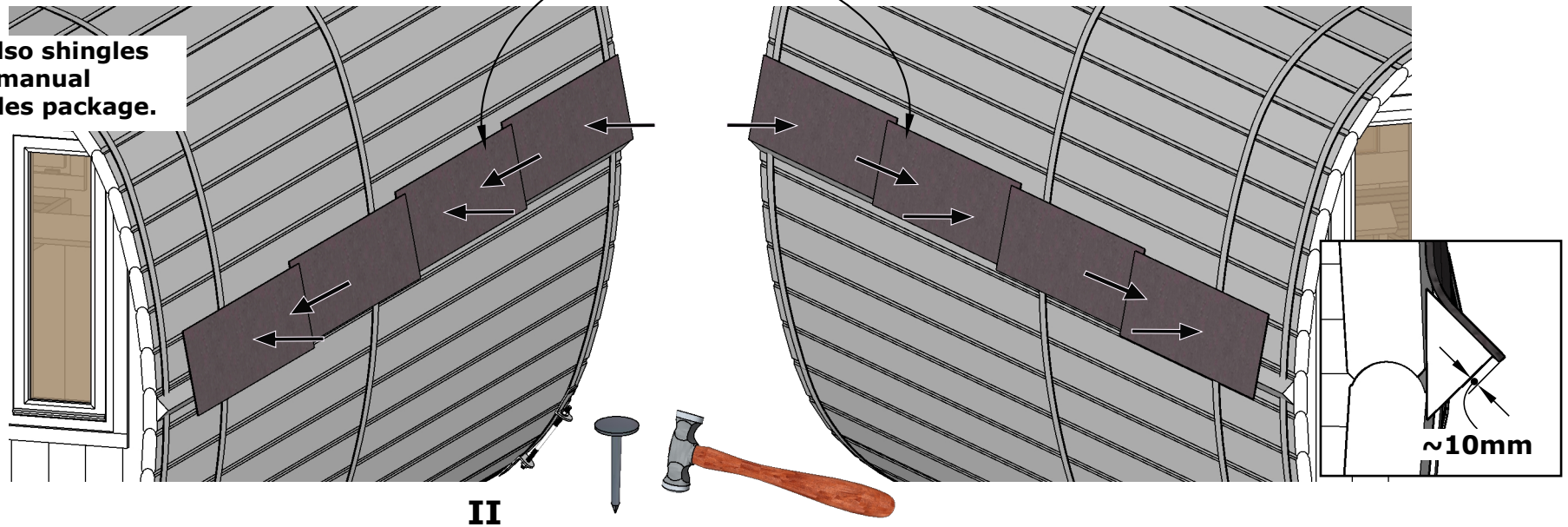
15.

(BUS-226-PES-PTS-001)

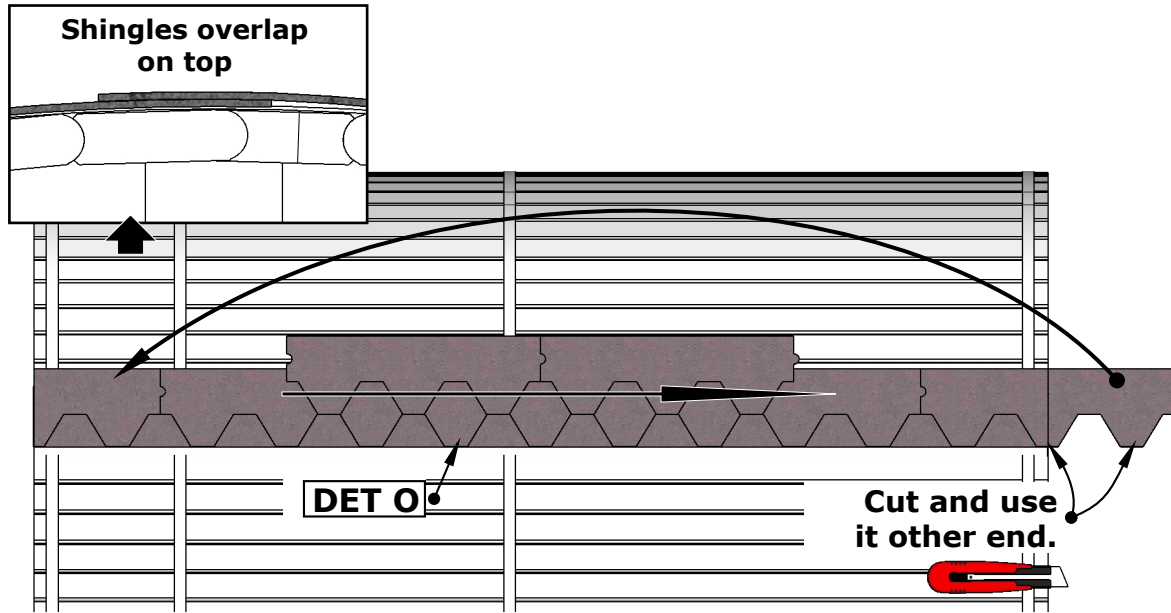
# BUS Sauna 400, Ø226



**NB! Check also shingles installation manual inside shingles package.**

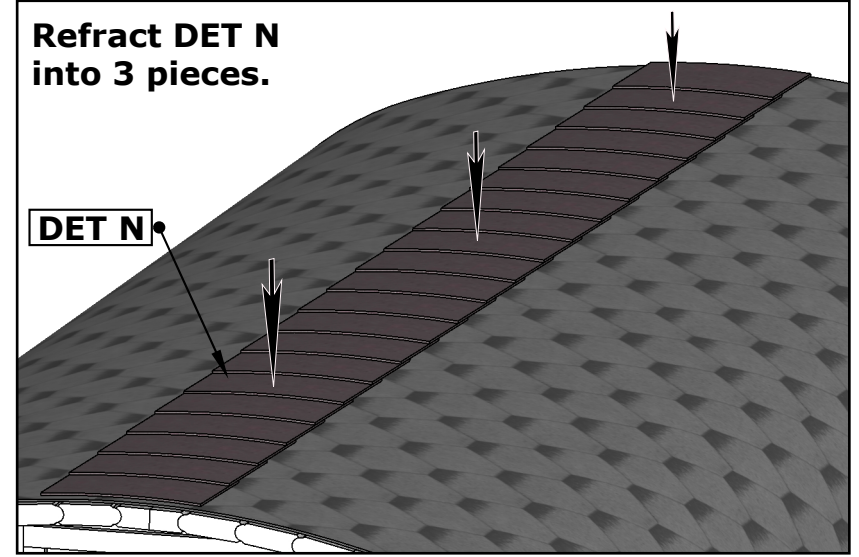


# BUS Sauna 400, Ø226

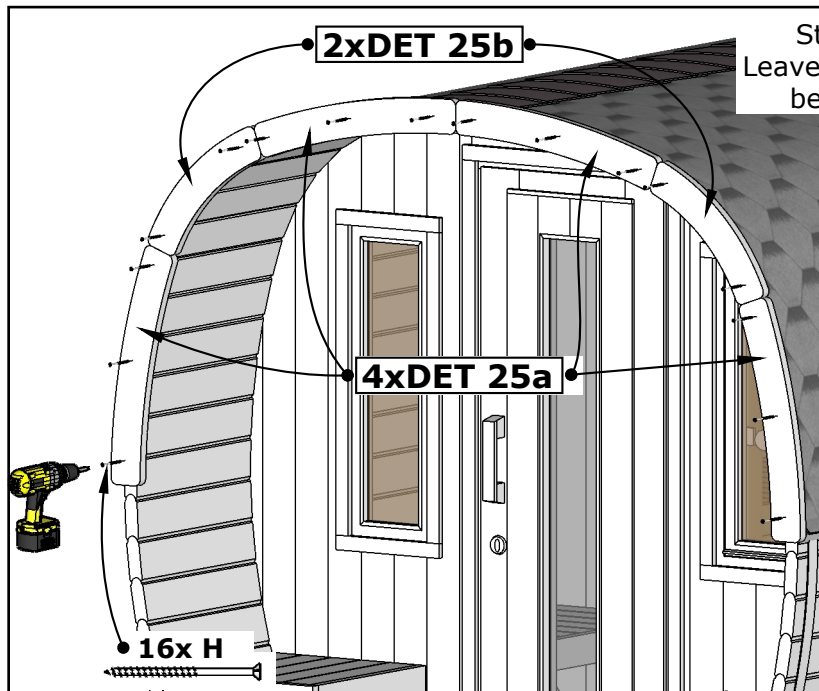


I

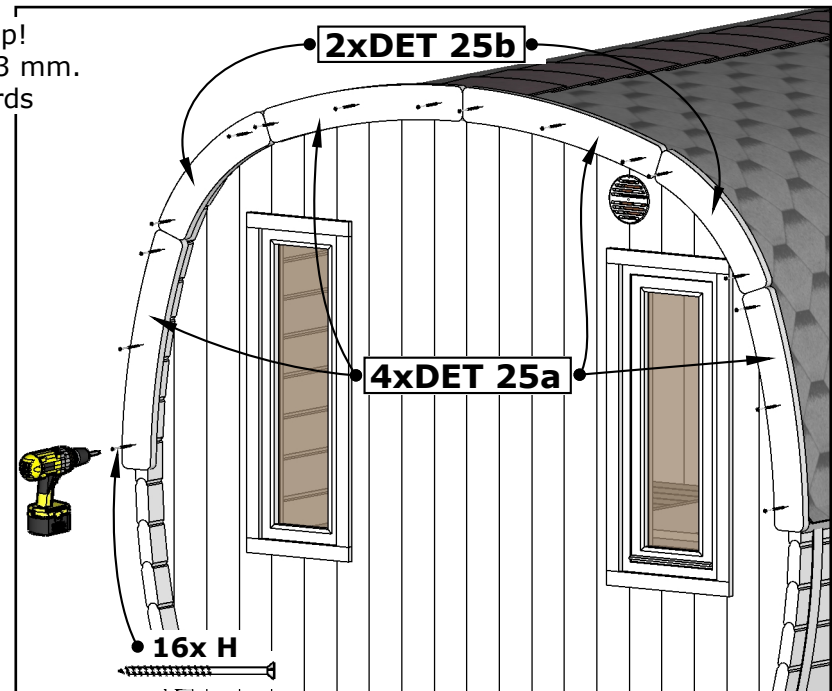
Check also roof shingles installation manual inside package.



II



Start from top!  
Leave the gap ~3 mm.  
between boards



III



# BUS Sauna 400, Ø226

NB! Backrests are optional!

