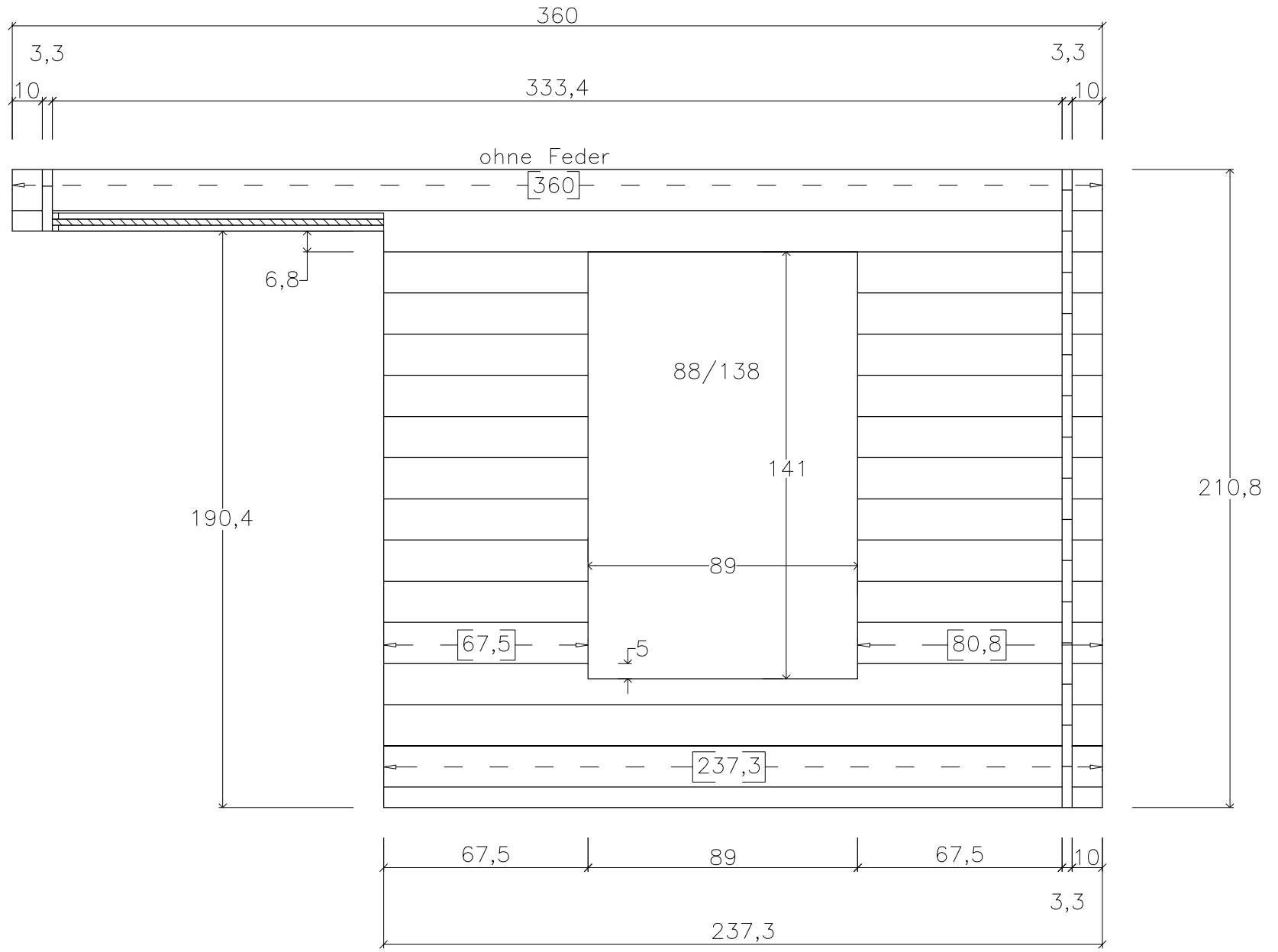


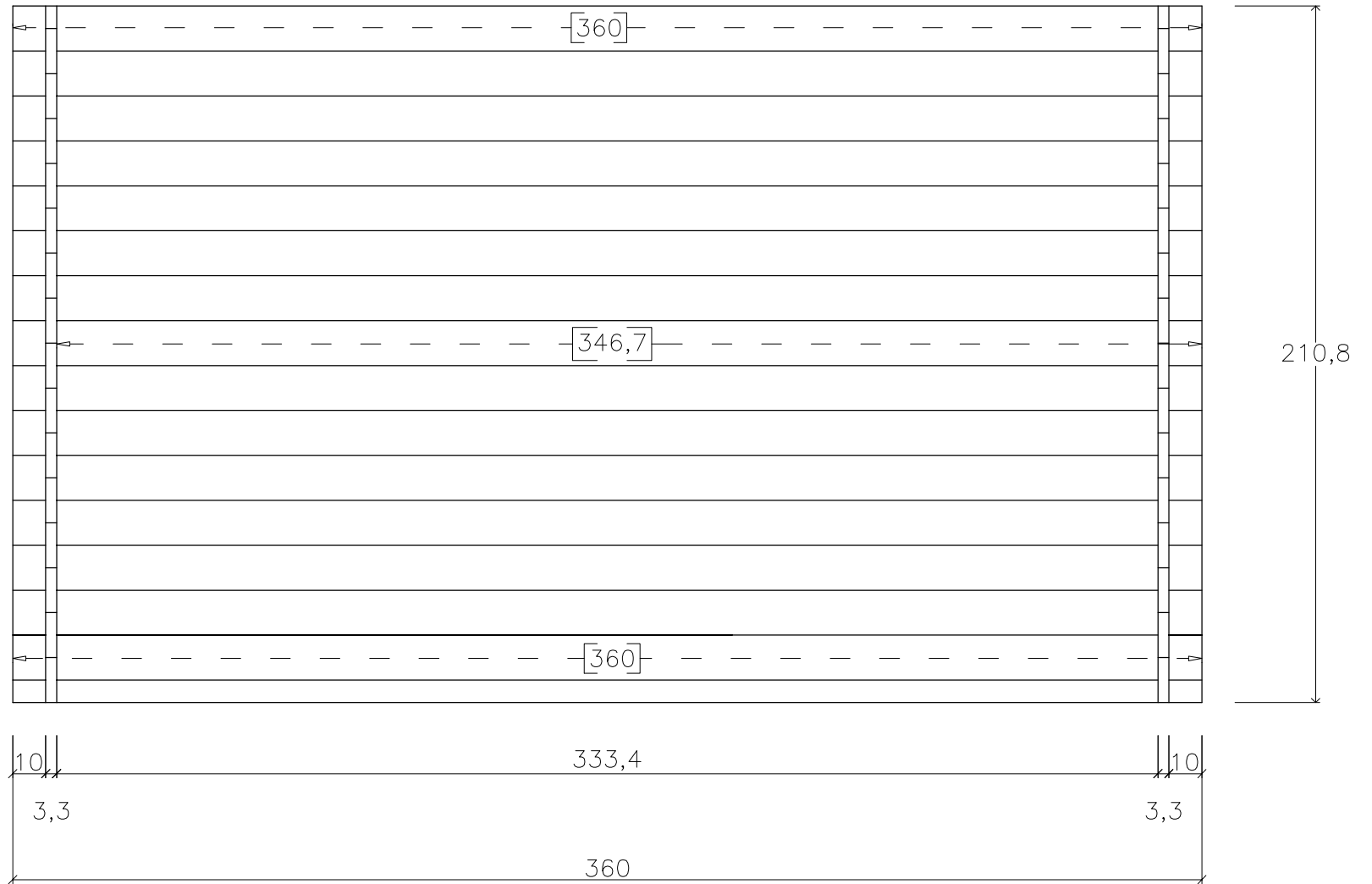
kom. Standard
340x340
Penta



kom. Standard
340x340
Penta

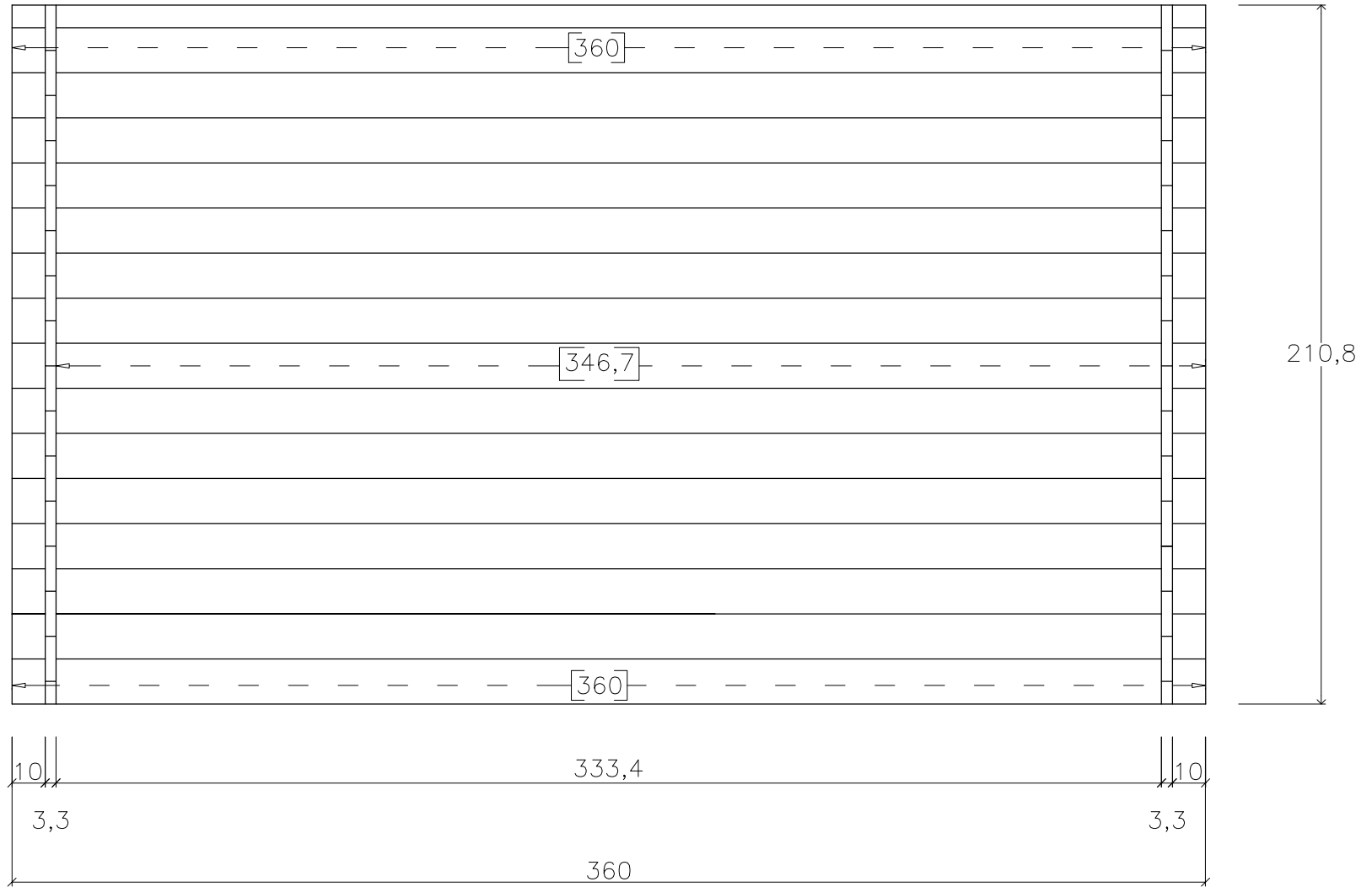
pos B

ohne Feder

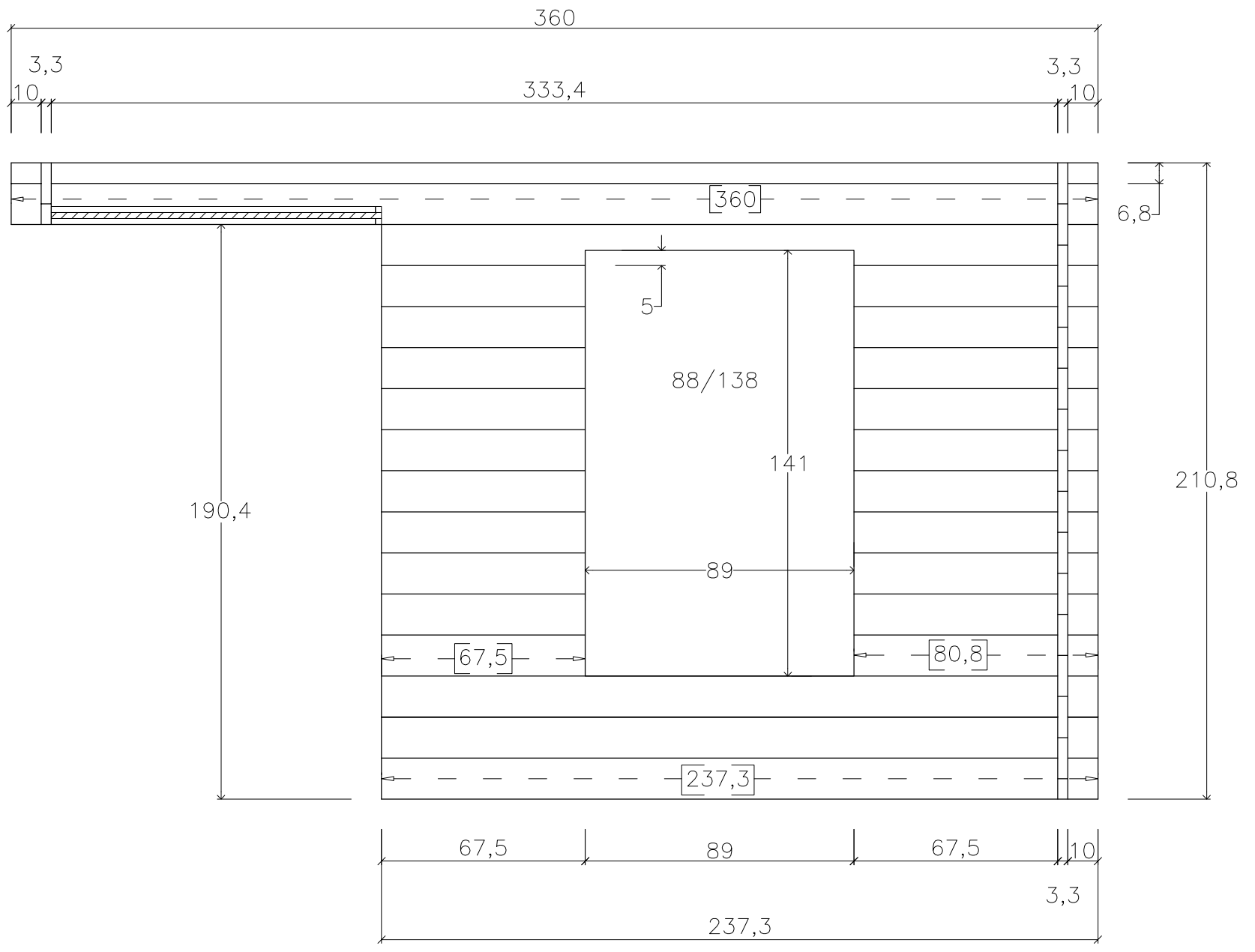


kom. Standard
340x340
Penta

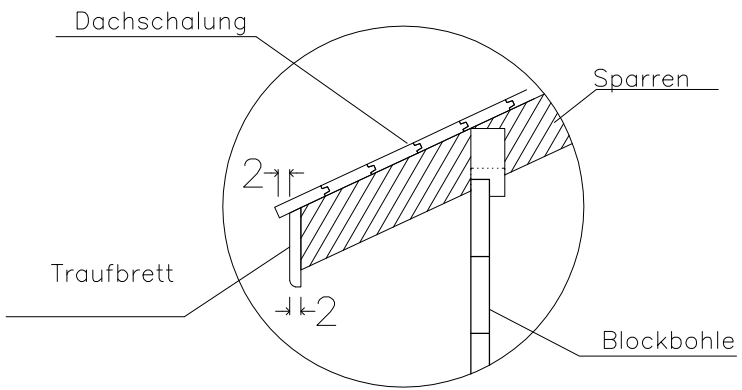
pos C



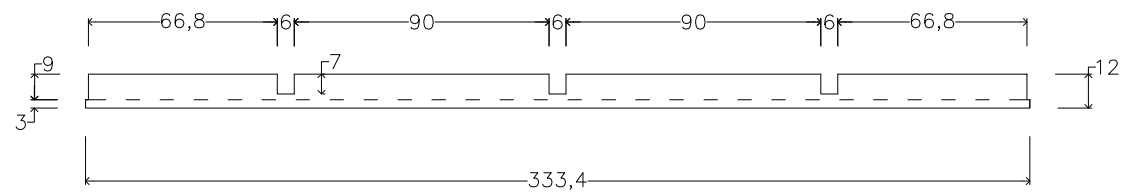
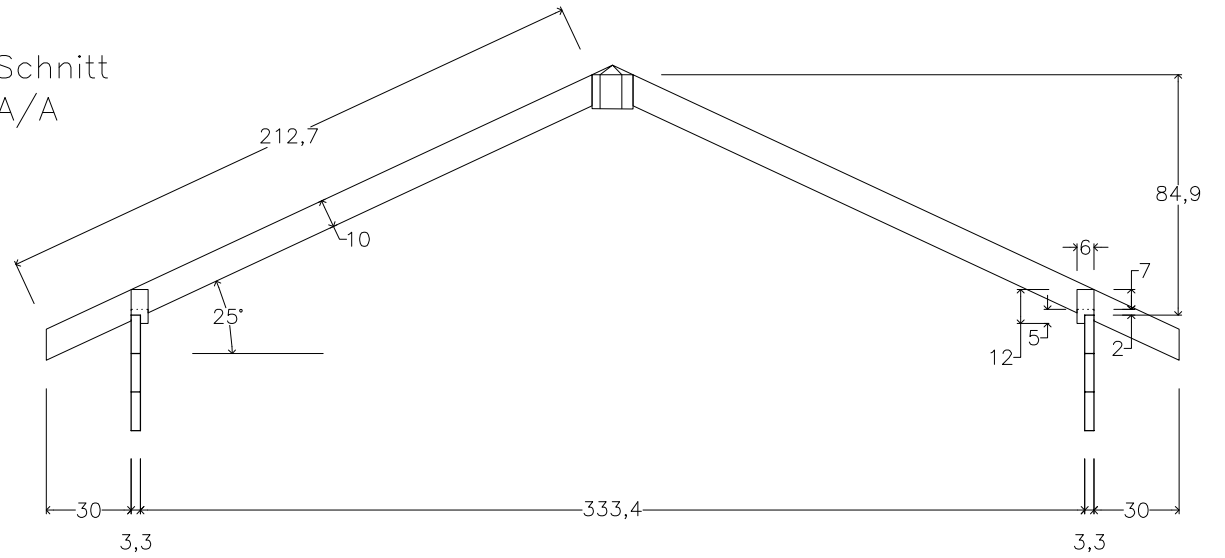
kom. Standard
340x340
Penta



kom. Standard
340x340
Penta

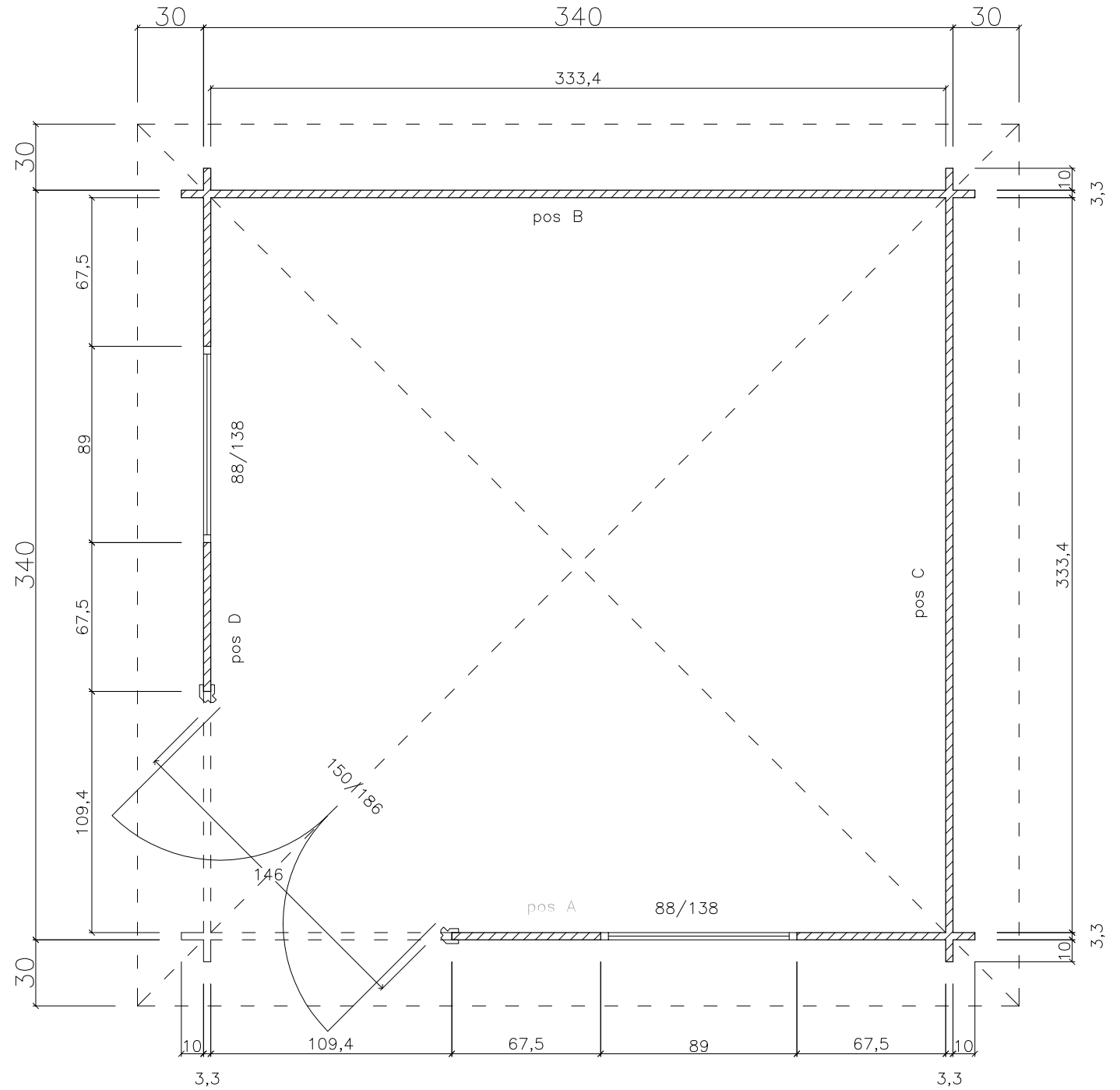
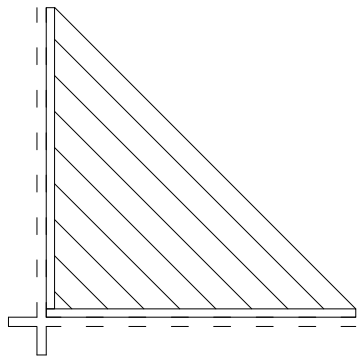
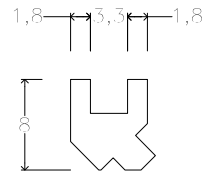
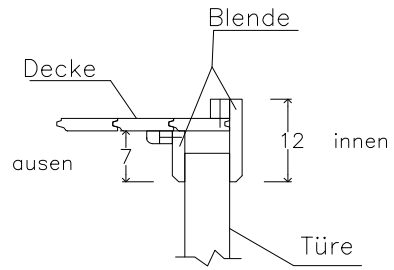


Schnitt A/A

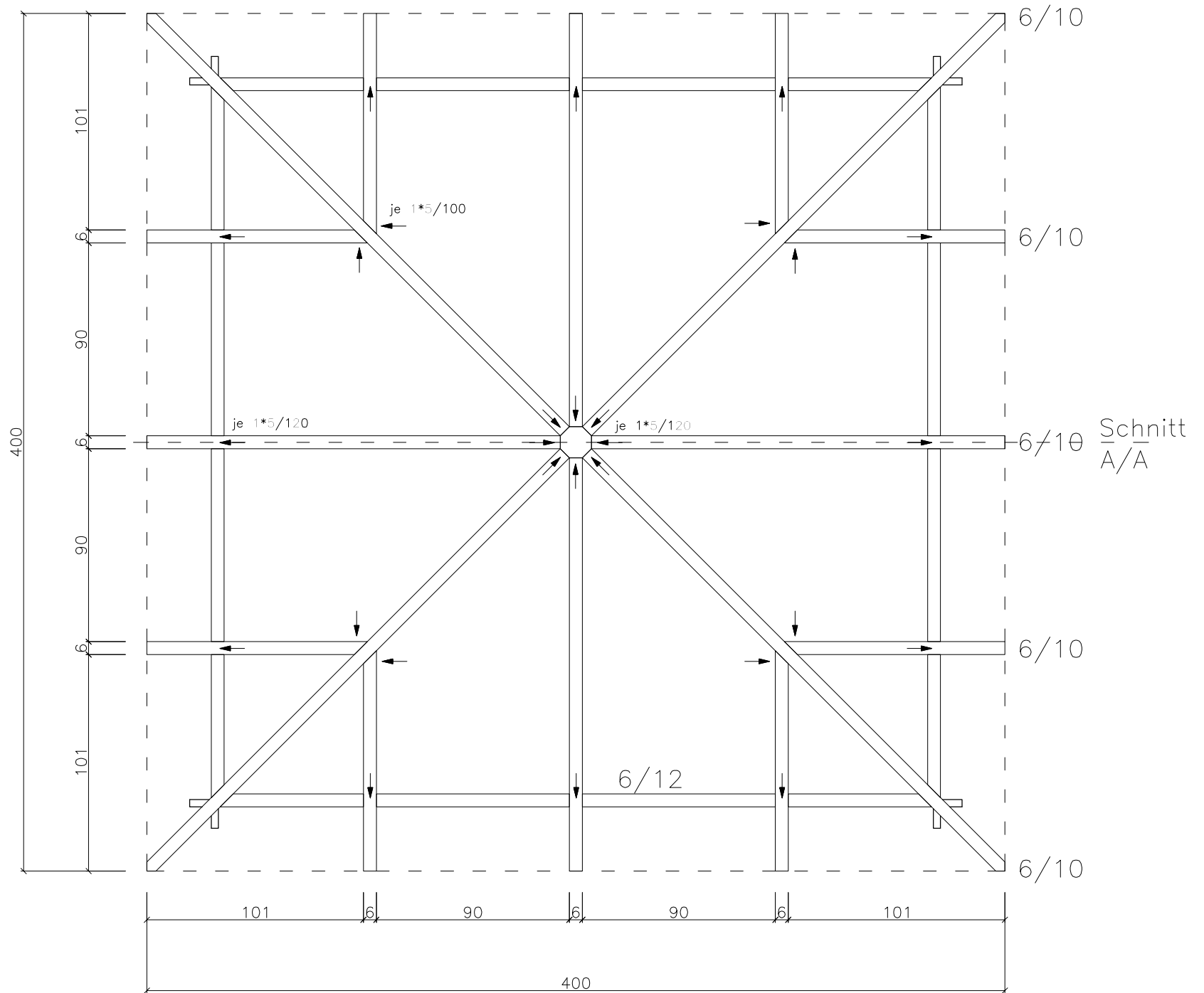


×4

kom. Standard
340x340
Penta



kom. Standard
340x340
Penta



kom. Standard
340x340
Penta

Fundamentrahmen

