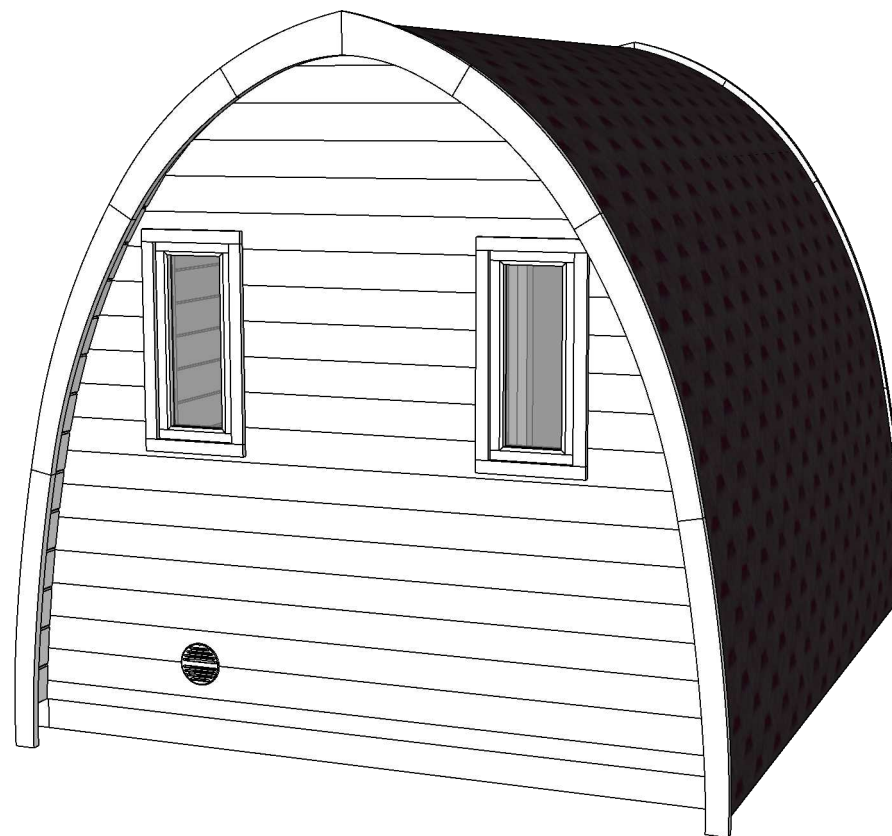


Sauna POD 3,0

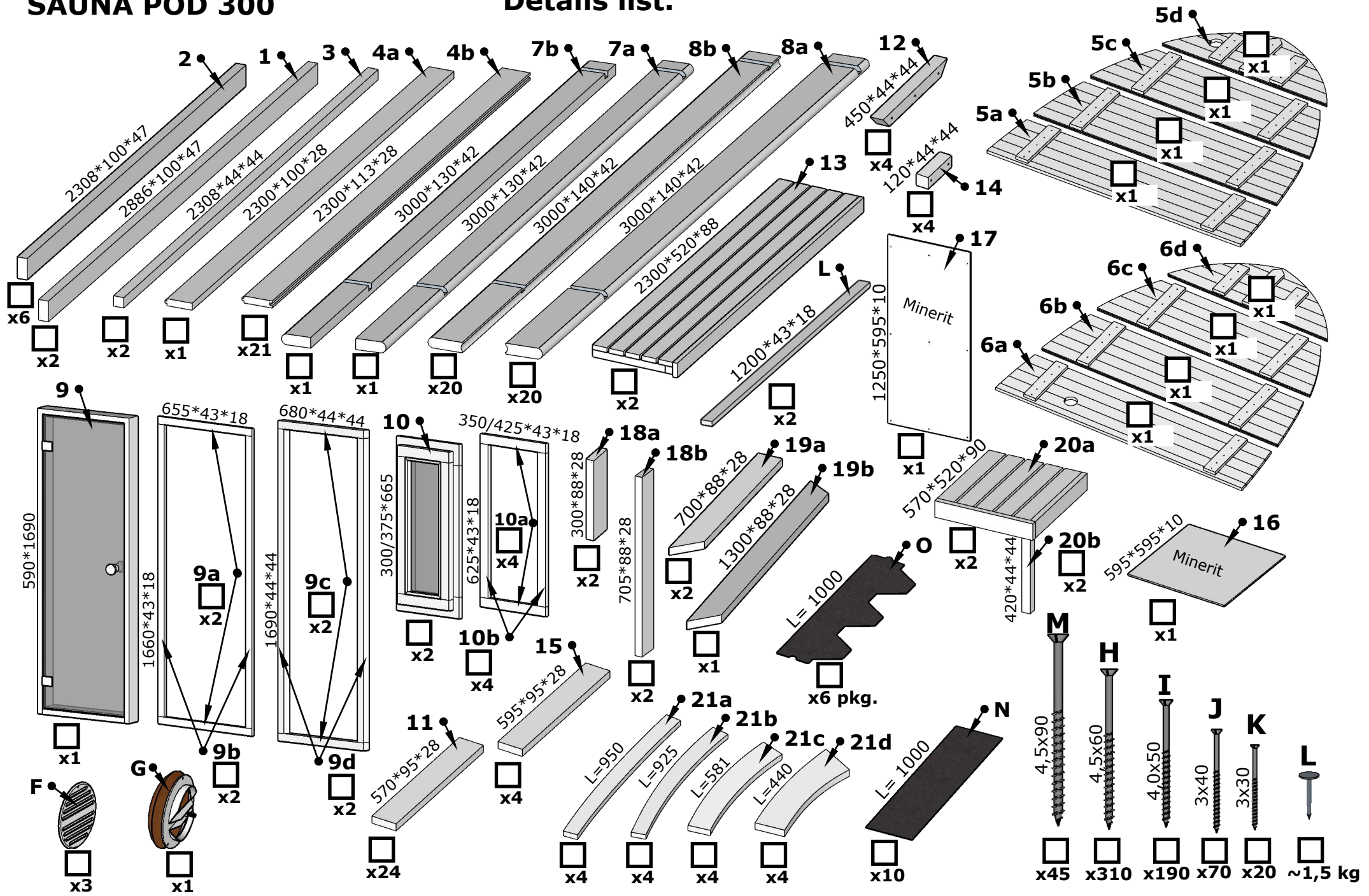
NB! Please read whole manual before start.

All given measurements are in millimeters!

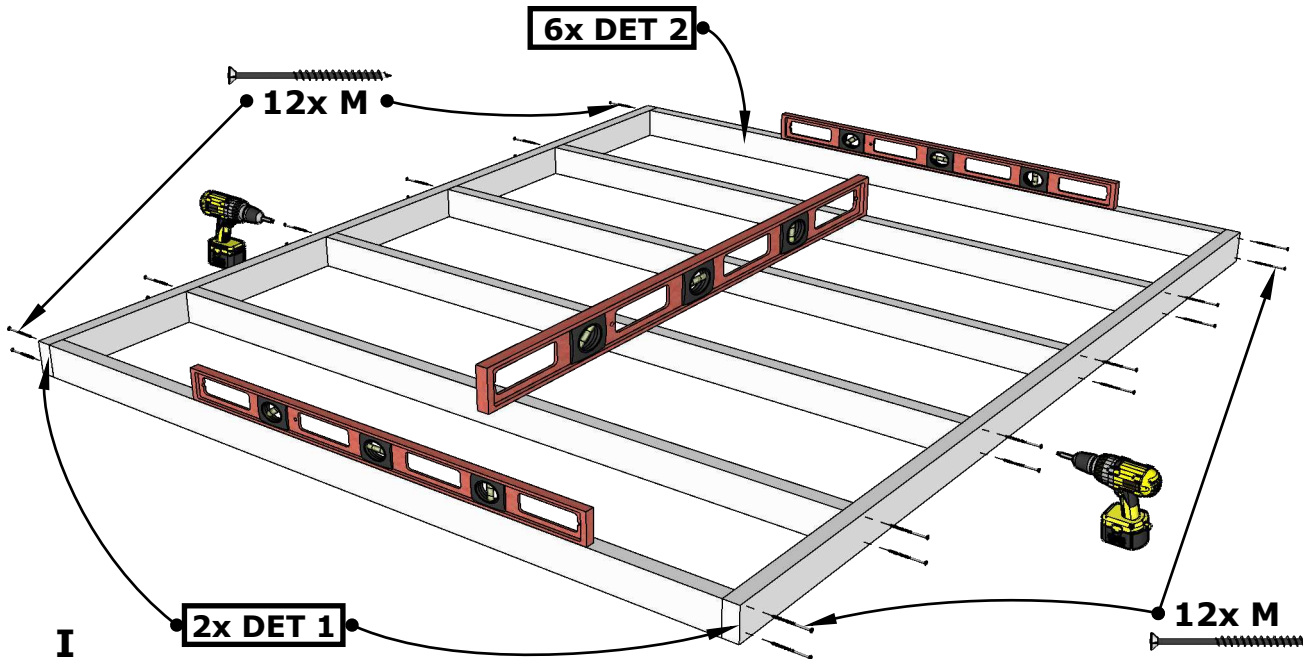
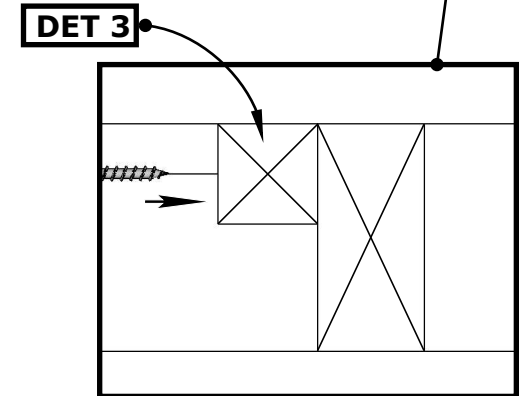
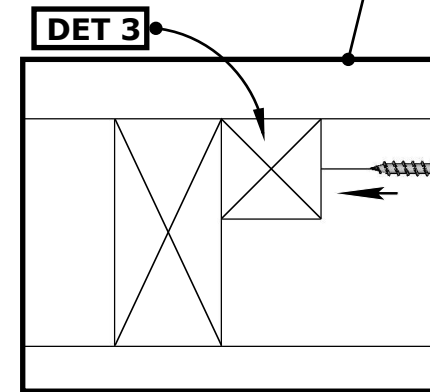
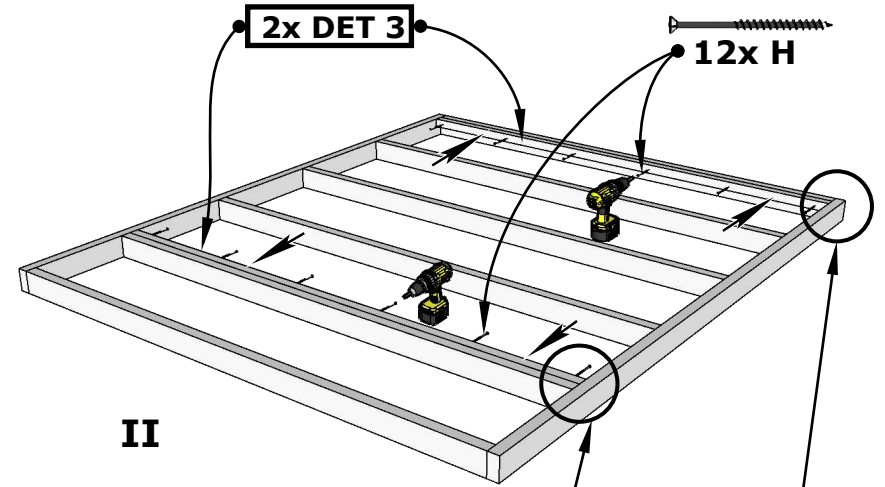
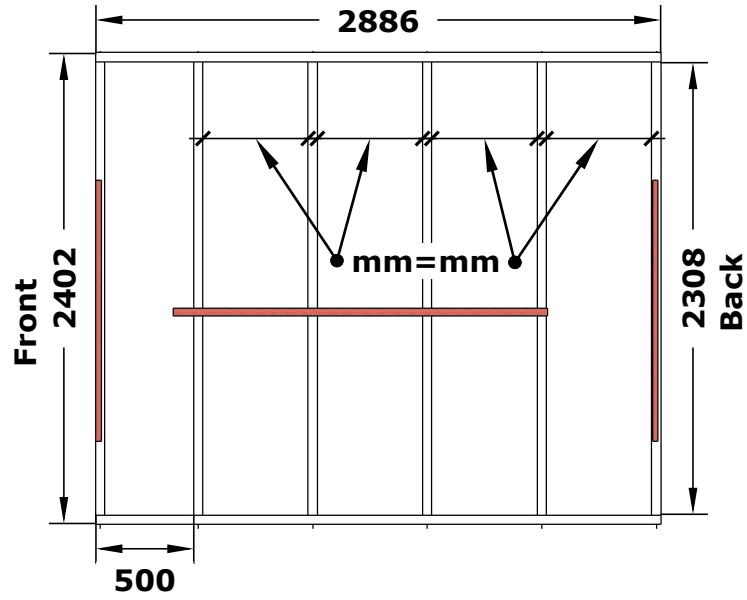


SAUNA POD 300

Details list.

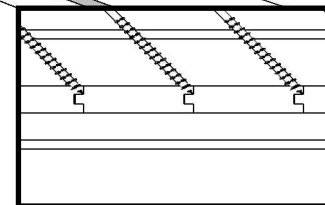
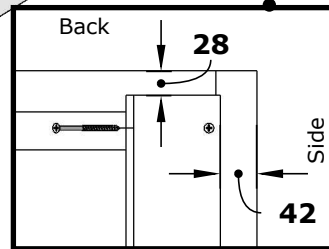
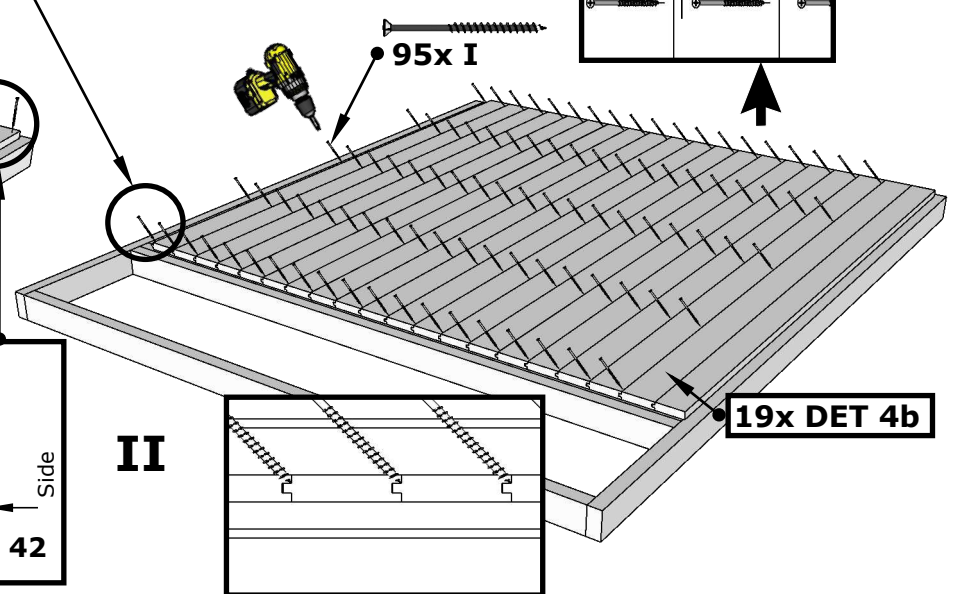
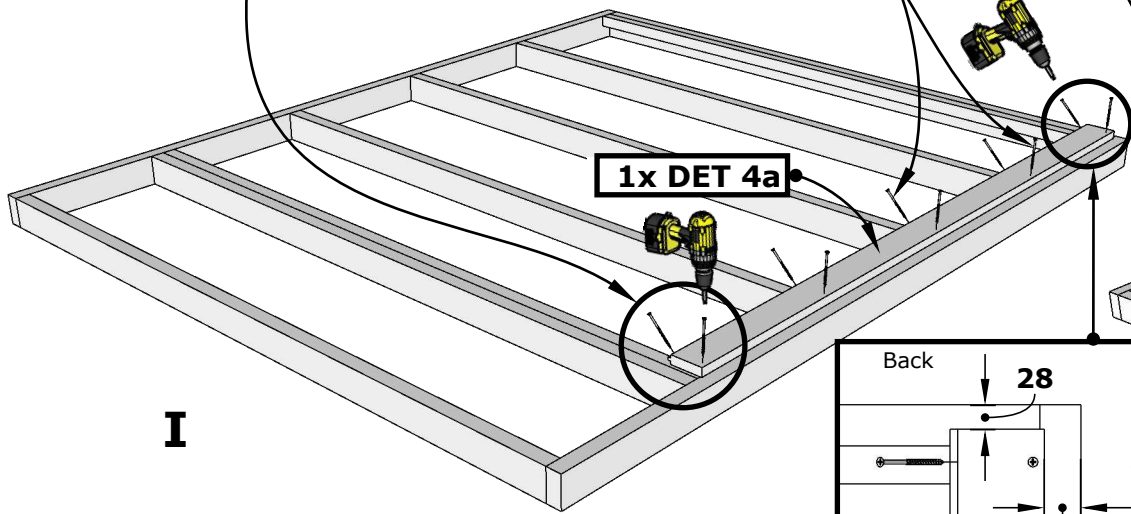
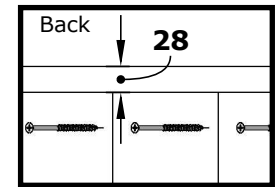
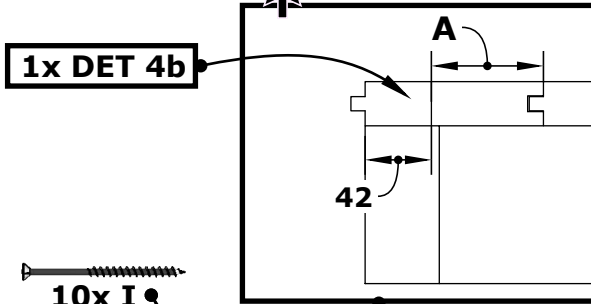
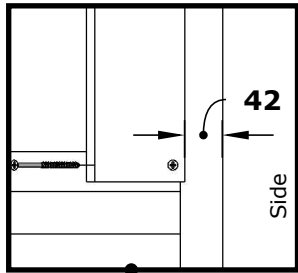
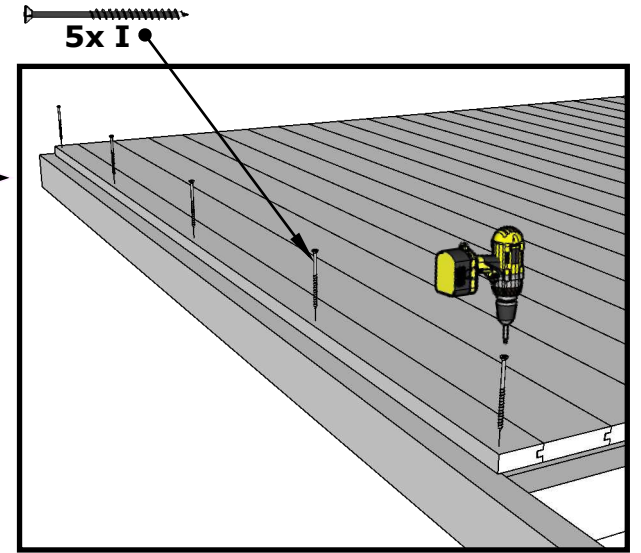
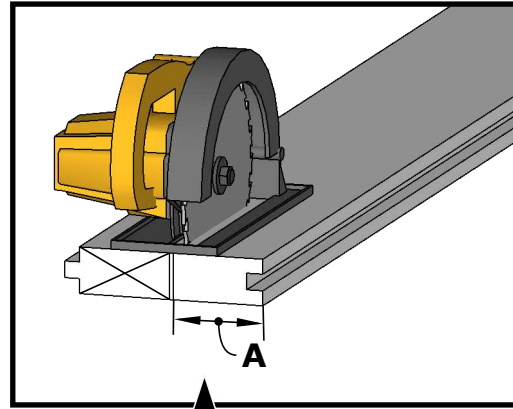


Sauna POD 300



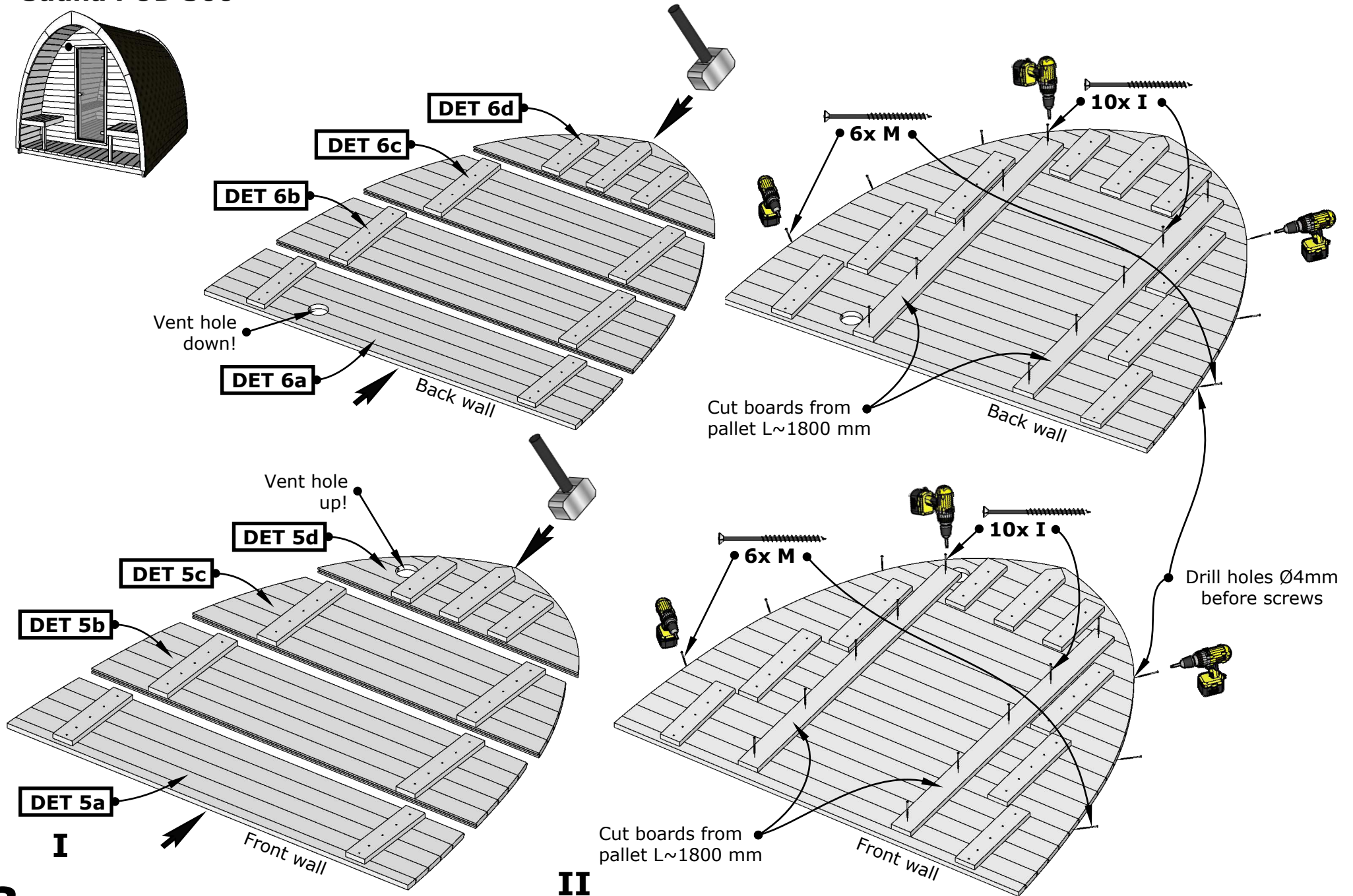
1.

Sauna POD 300



2.

Sauna POD 300



3.

II

Sauna POD 300



Use waterlevel!

1x DET 8a
1x DET 8b

Fix temporarily to support walls.

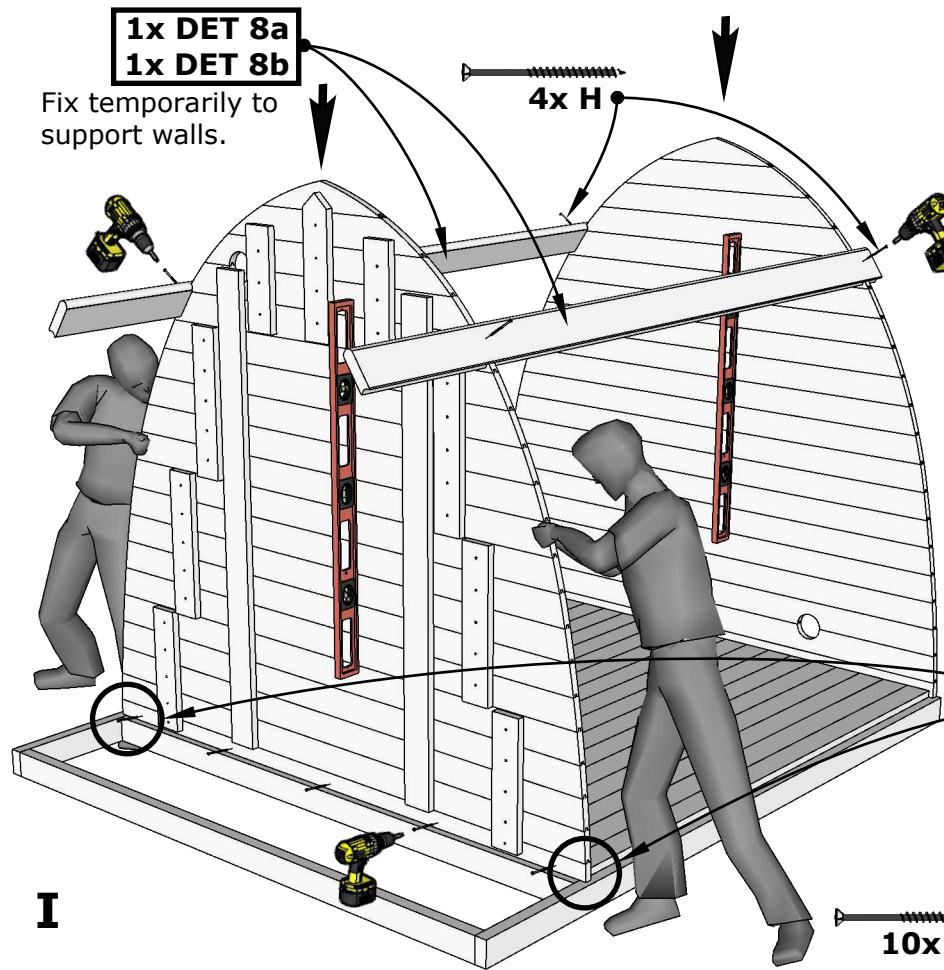
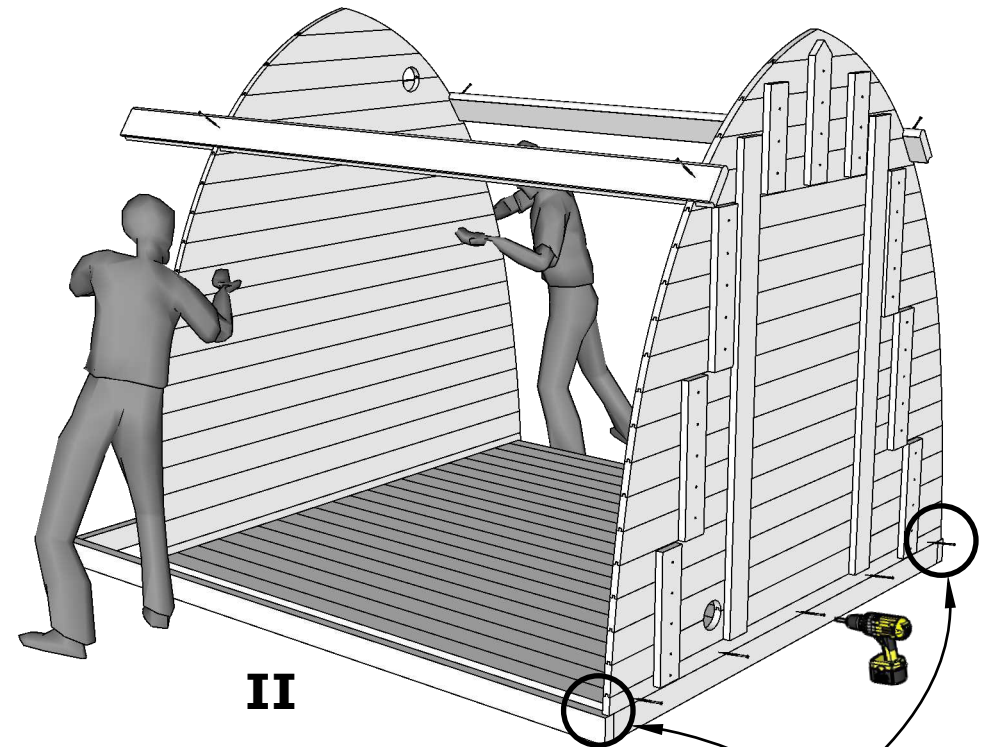
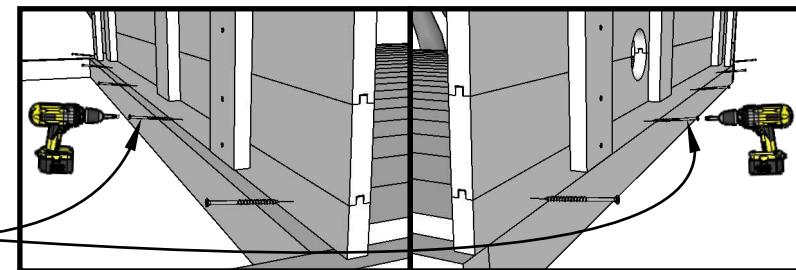
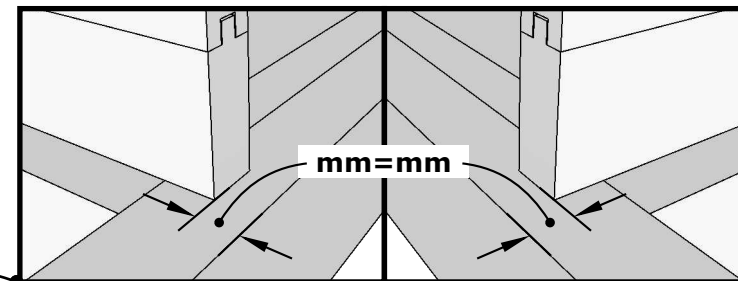
4x H

10x H

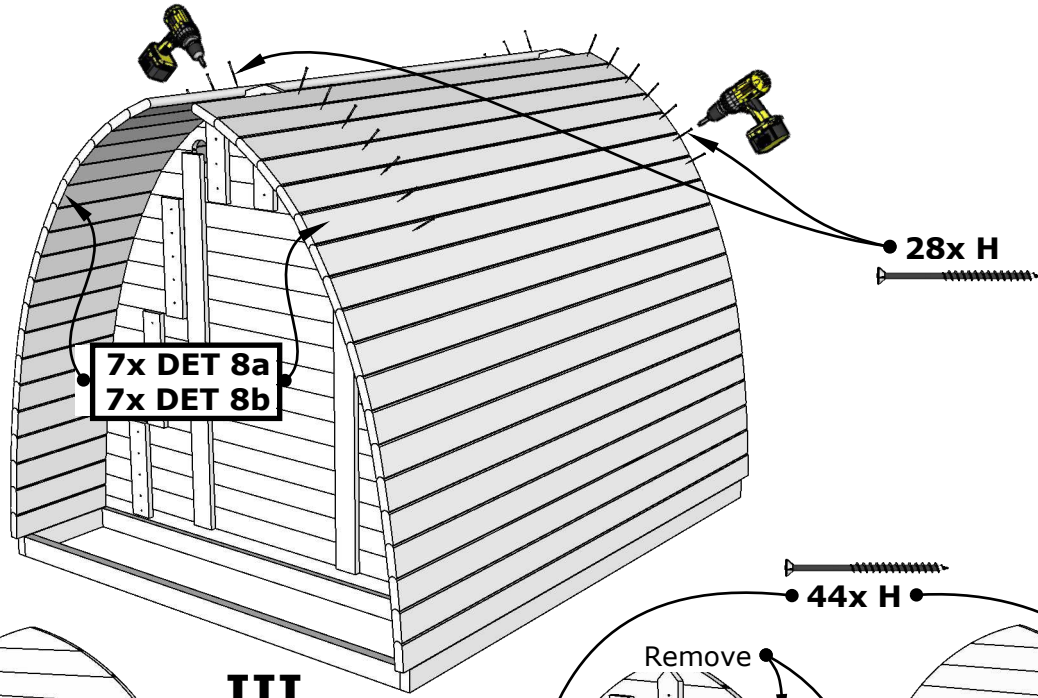
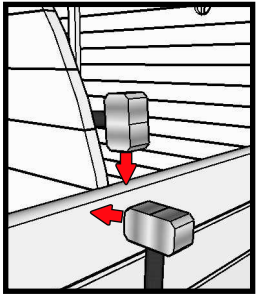
II

I

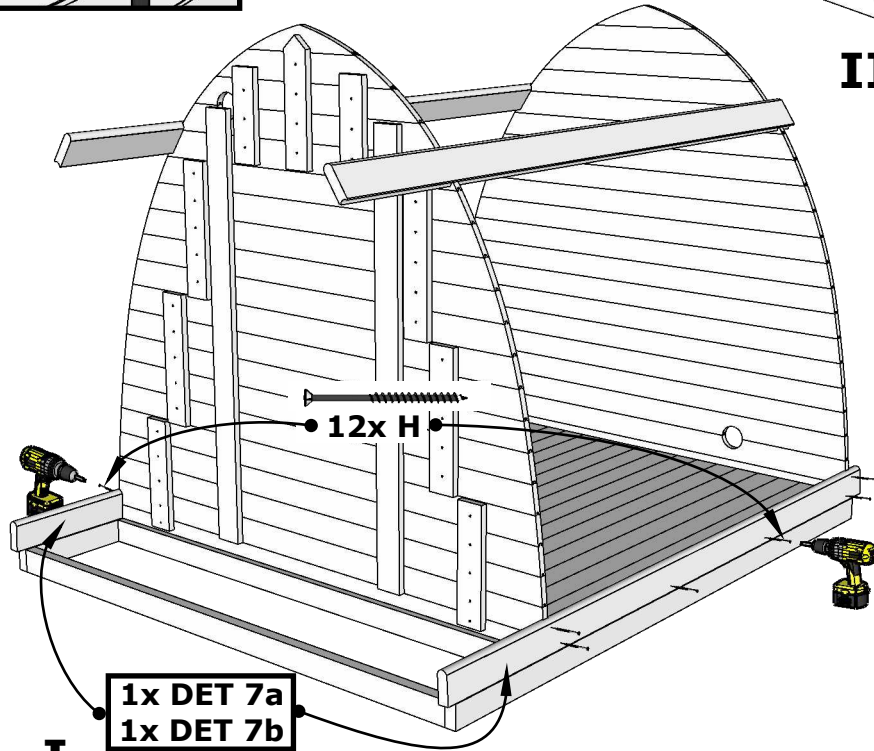
4.



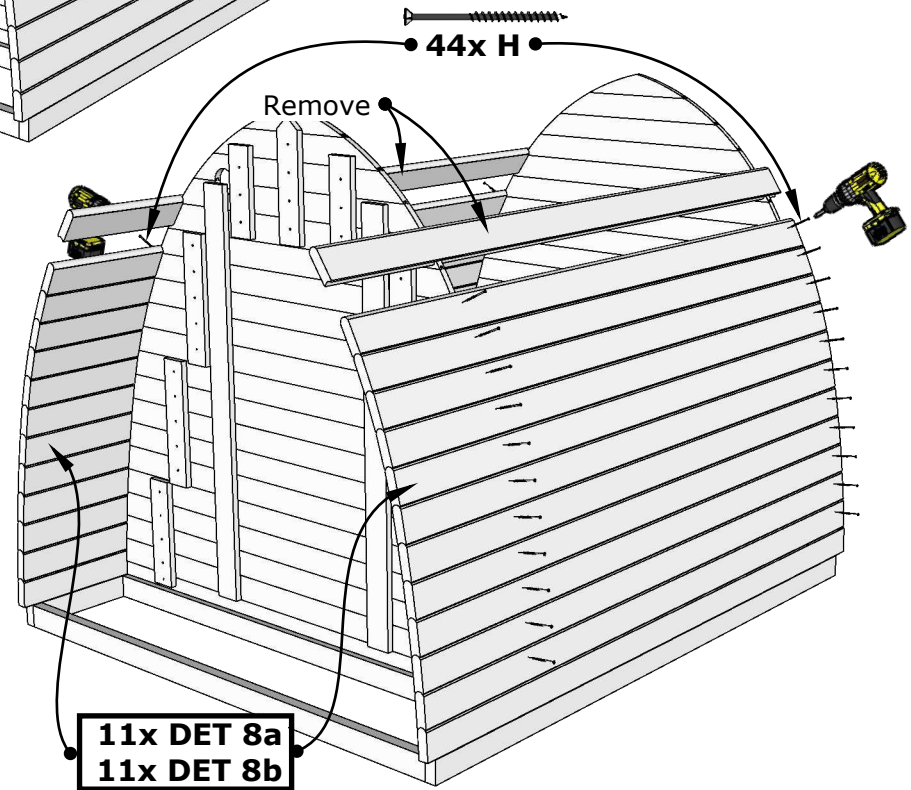
Sauna POD 300



III



5. I

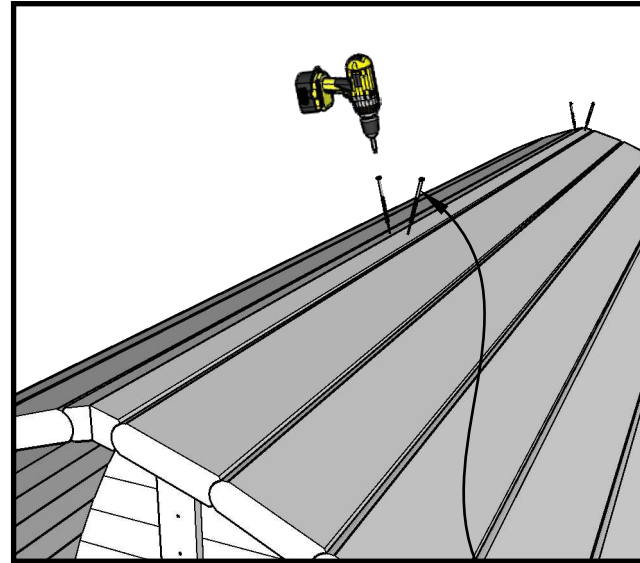


II

Sauna POD 300

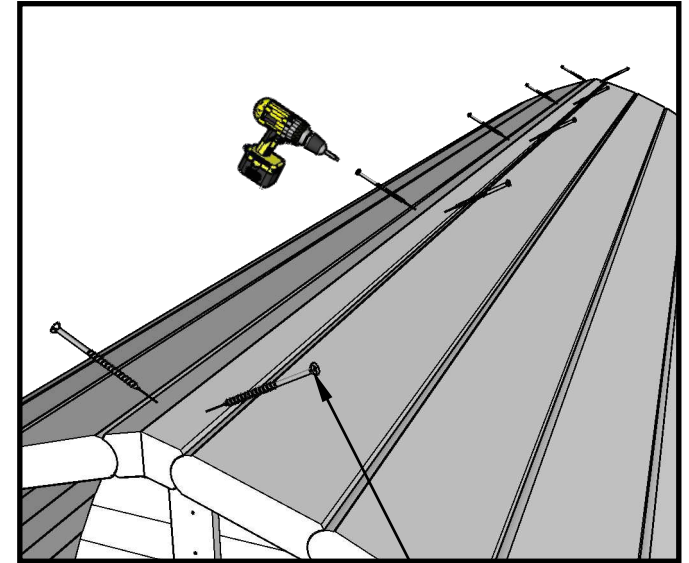


III



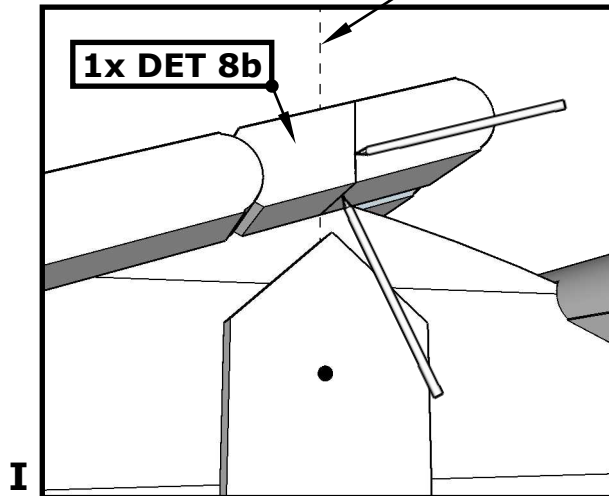
• 4x H

IV

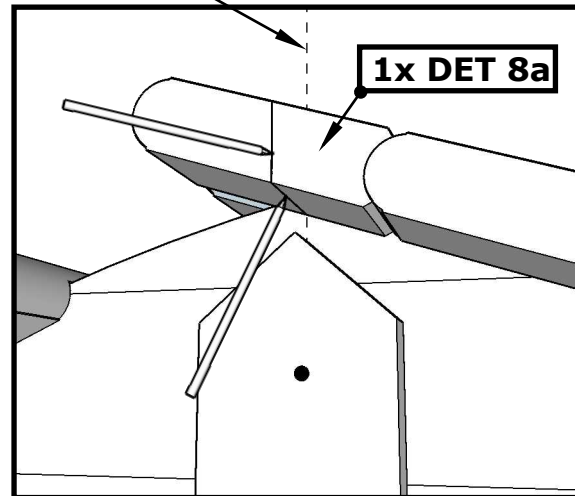


• 10x H

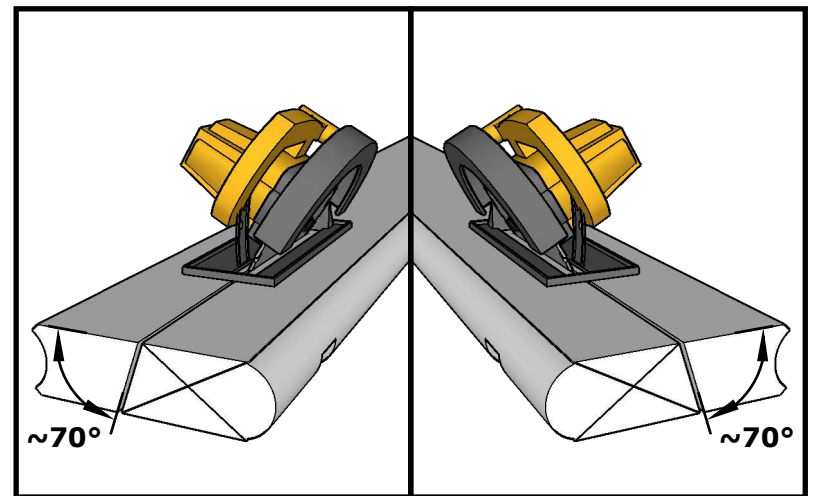
• Wall midpoint •



I



II

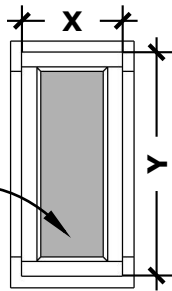


6.

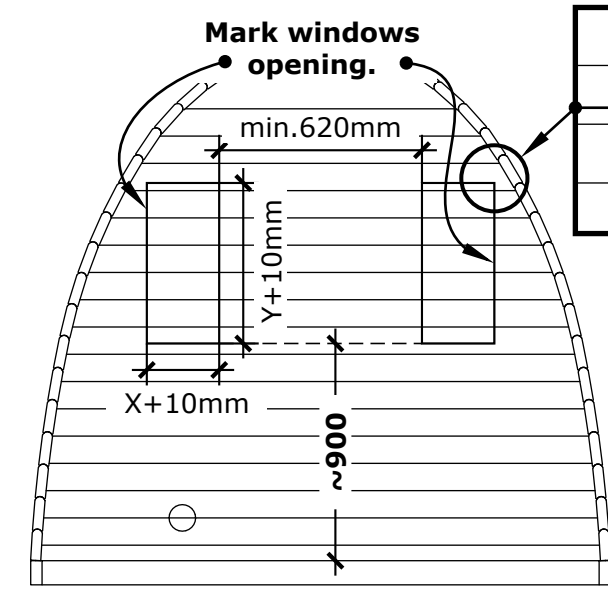
Sauna POD 300



Use waterlevel!

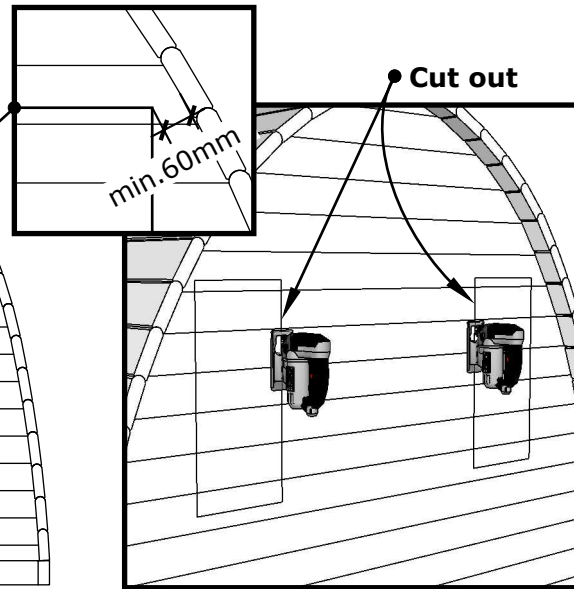


DET 10

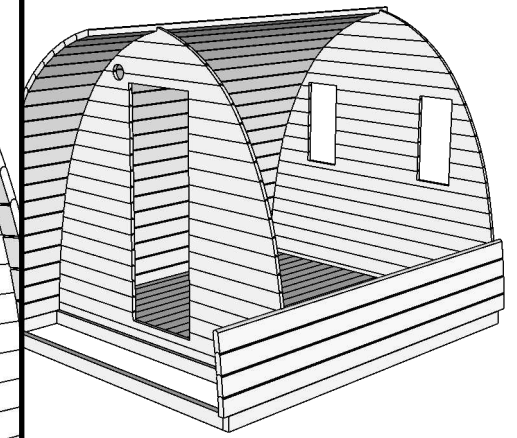


III

Remove all brackets



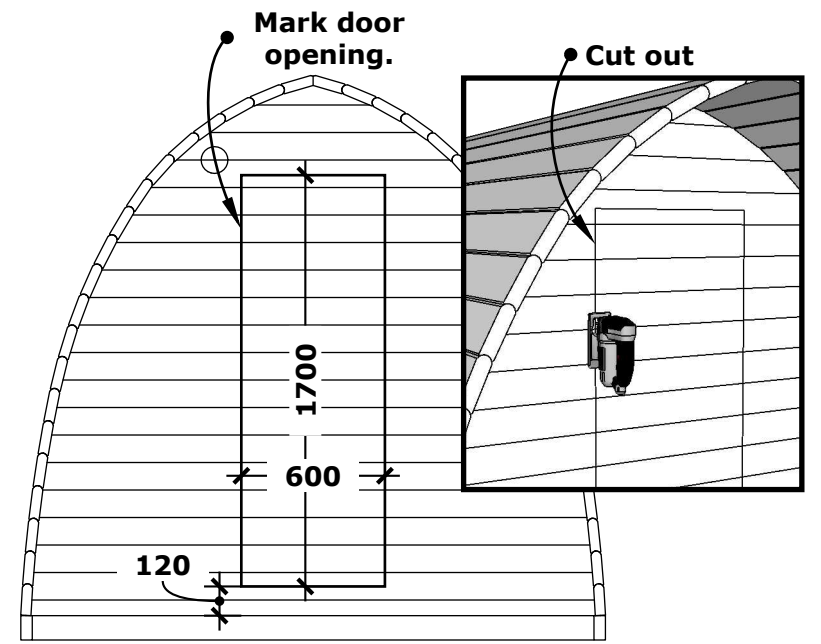
IV



V



I



II

If Your sauna equipped with wooden door, please check wooden door installation manual on extra pages!

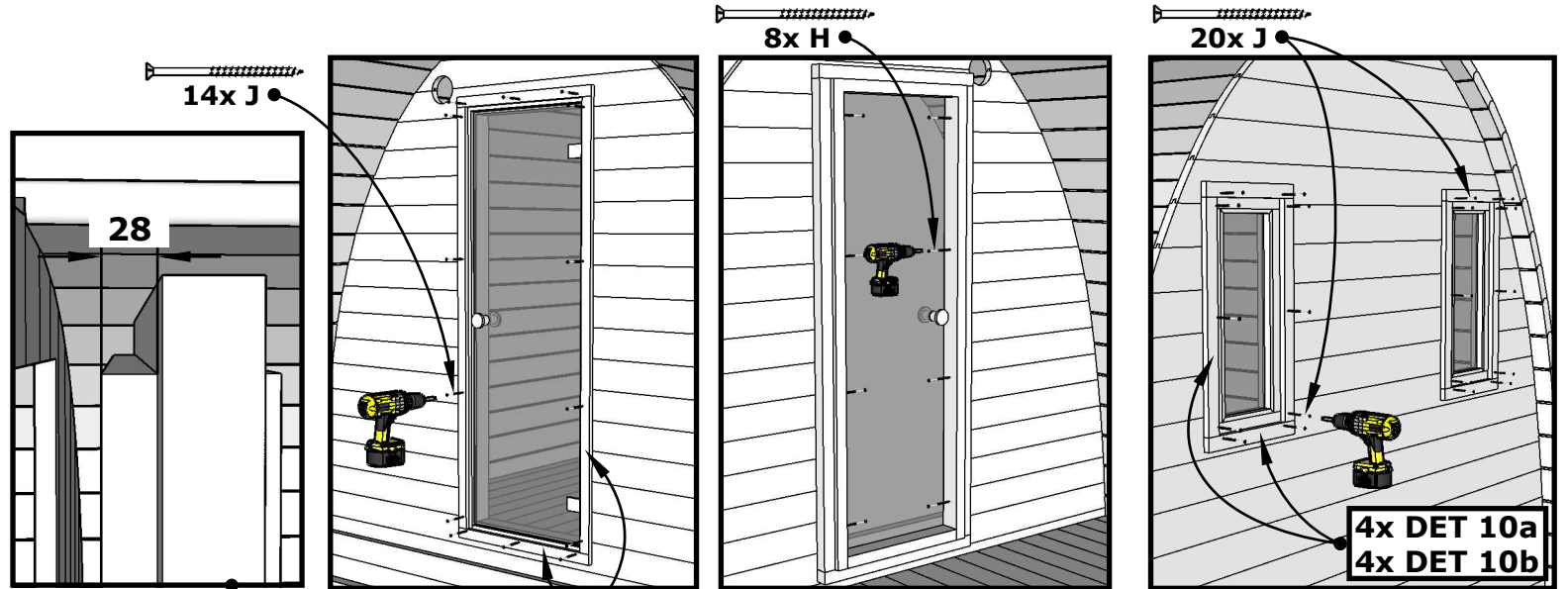
Sauna POD 300



NB! Use waterlevel for door and window installation.



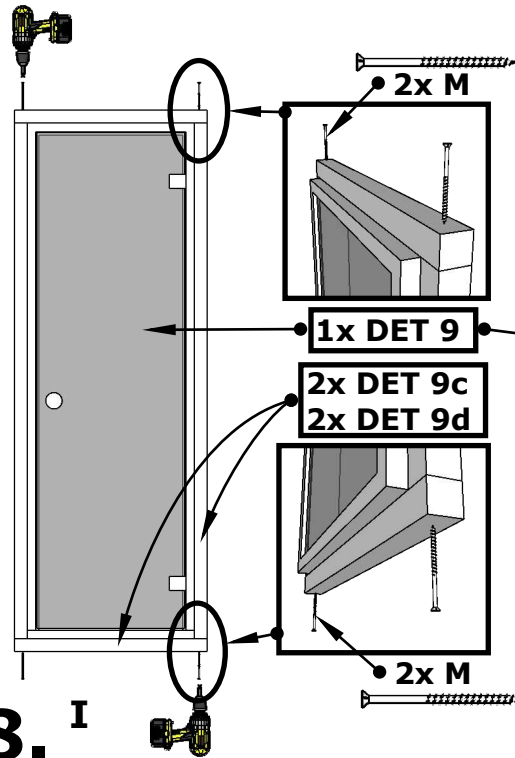
NB! Place Door and windows from inside!



IV 2x DET 9a
2x DET 9b

V

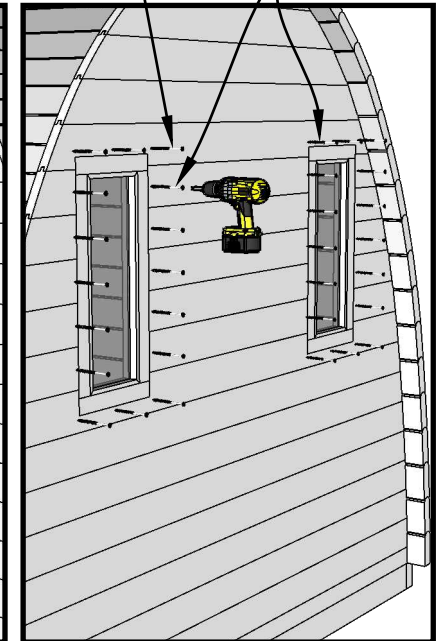
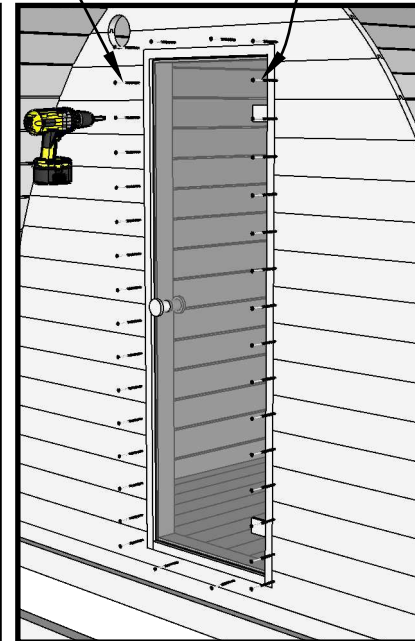
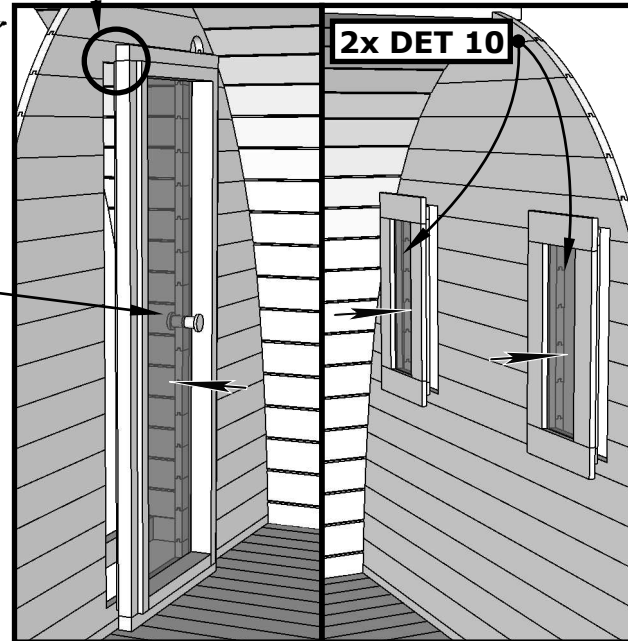
VI



36x I

Vertically fix screw
in every board!

32x J



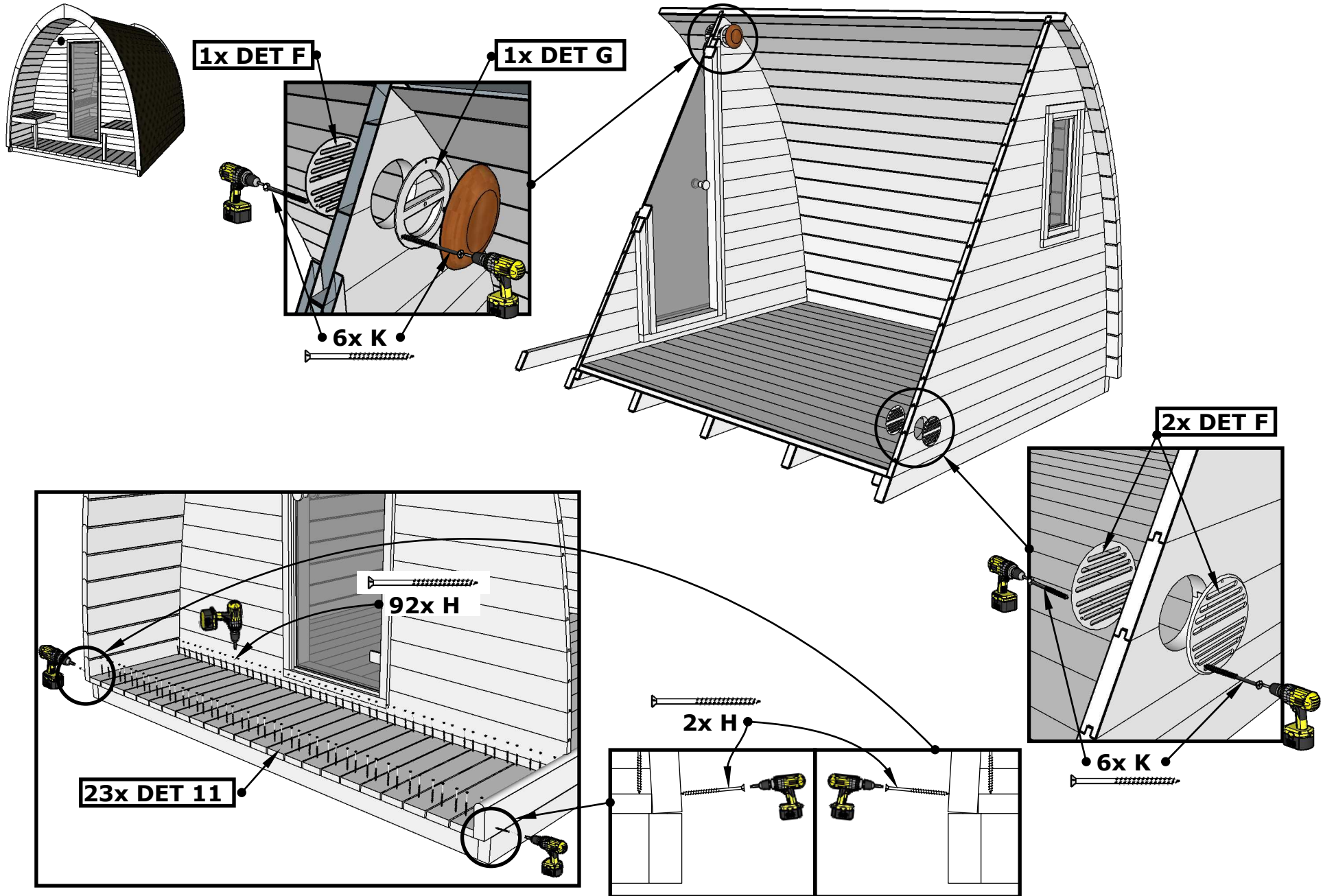
8.

I

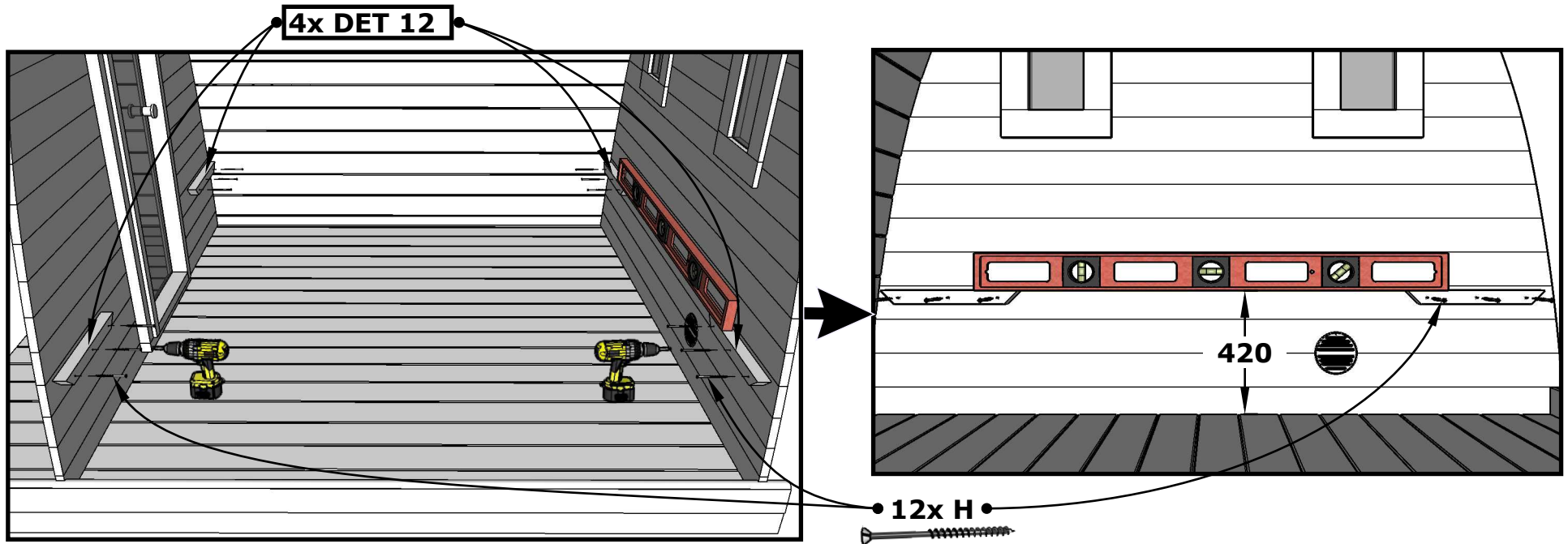
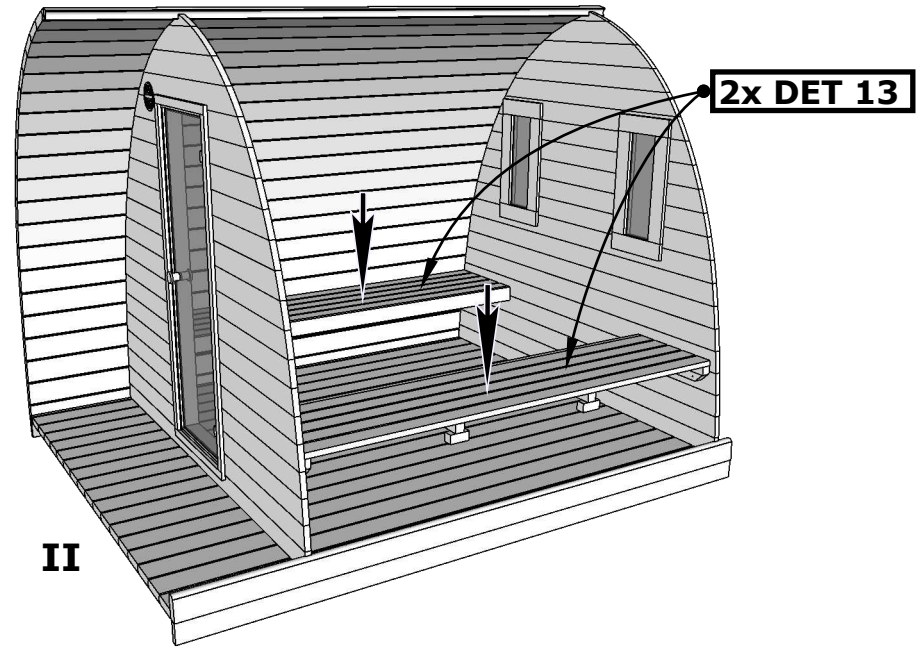
II

III

Sauna POD 300



Sauna POD 300

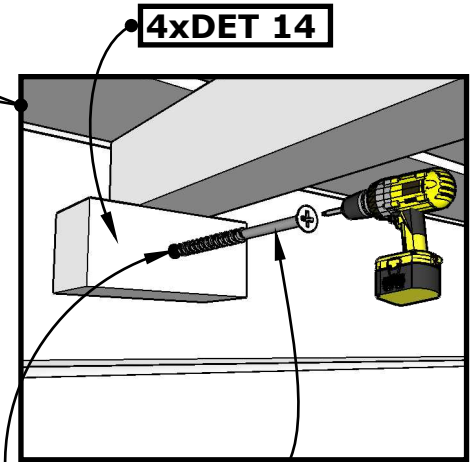


10.

Sauna POD 300



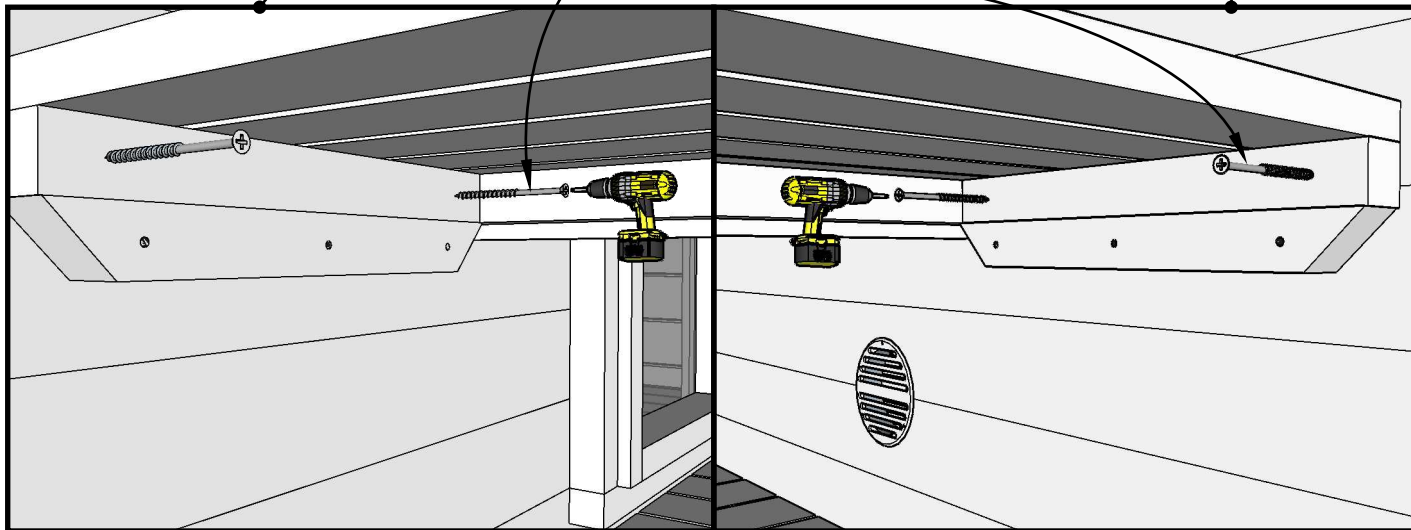
I



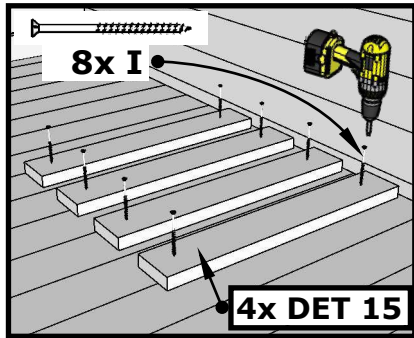
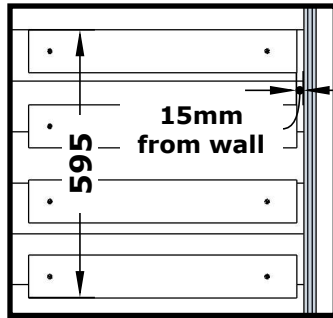
• Drill holes Ø4mm before screw.



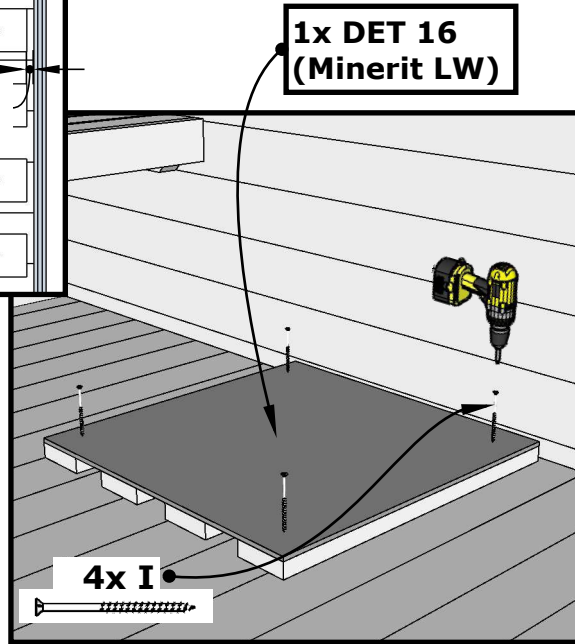
• 8x H



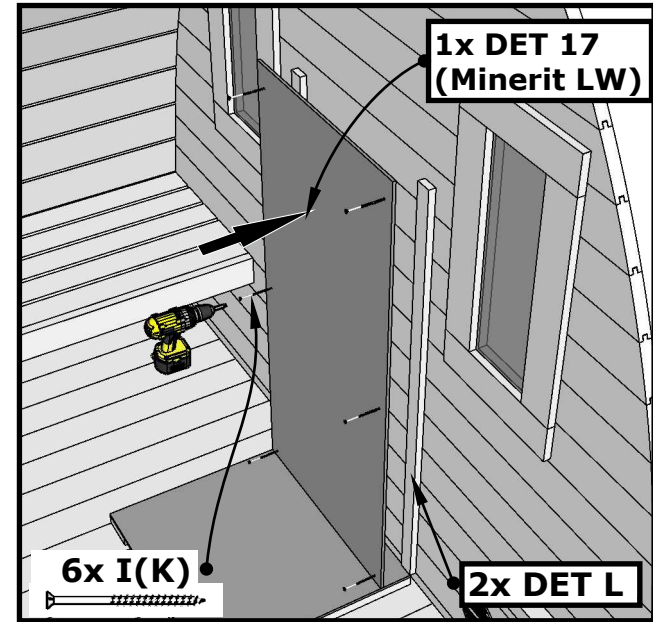
Sauna POD 300



I

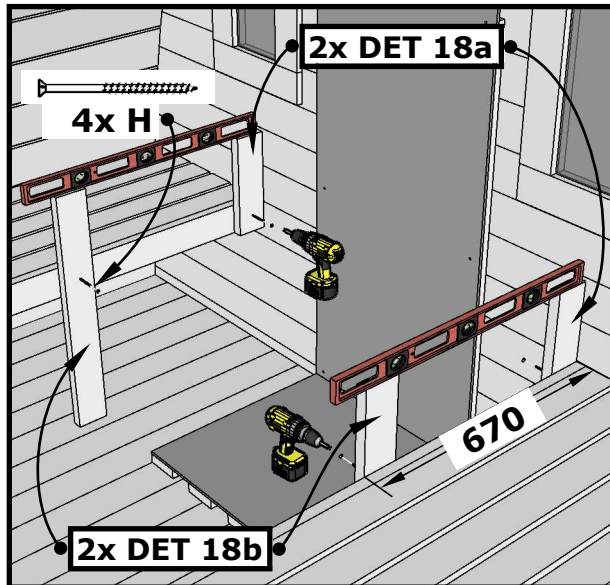


II

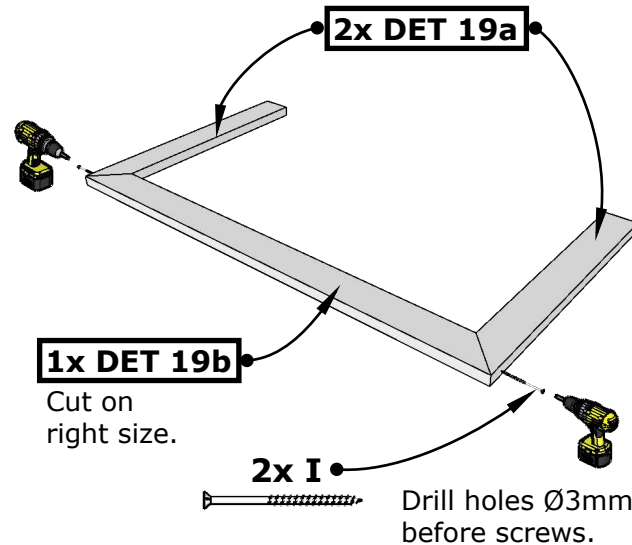


III

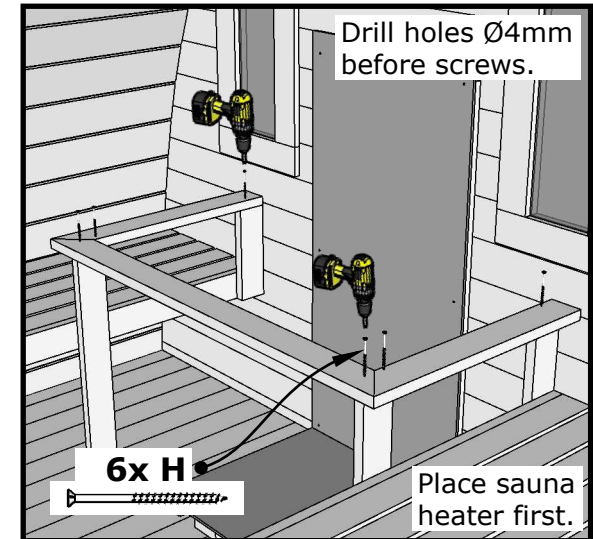
NB! If using electrical heater, place DET 17 directly to wall without DET L. Then use screw K.



IV

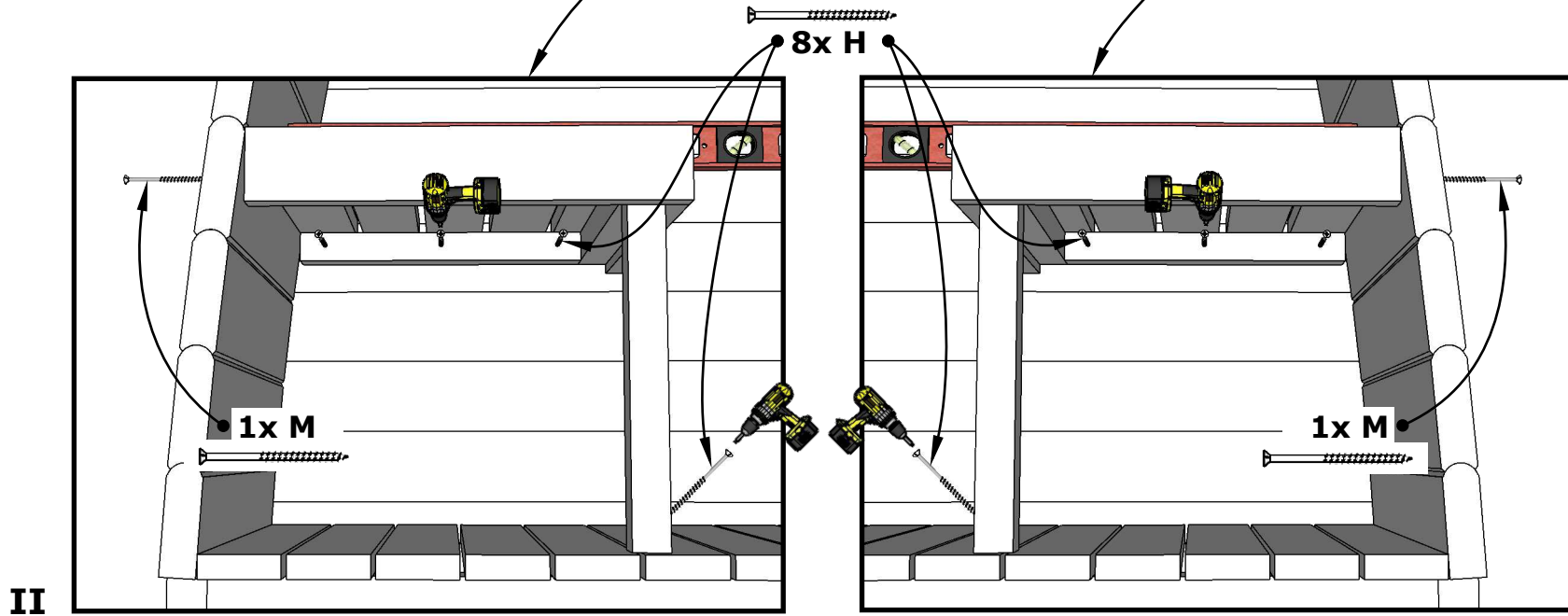
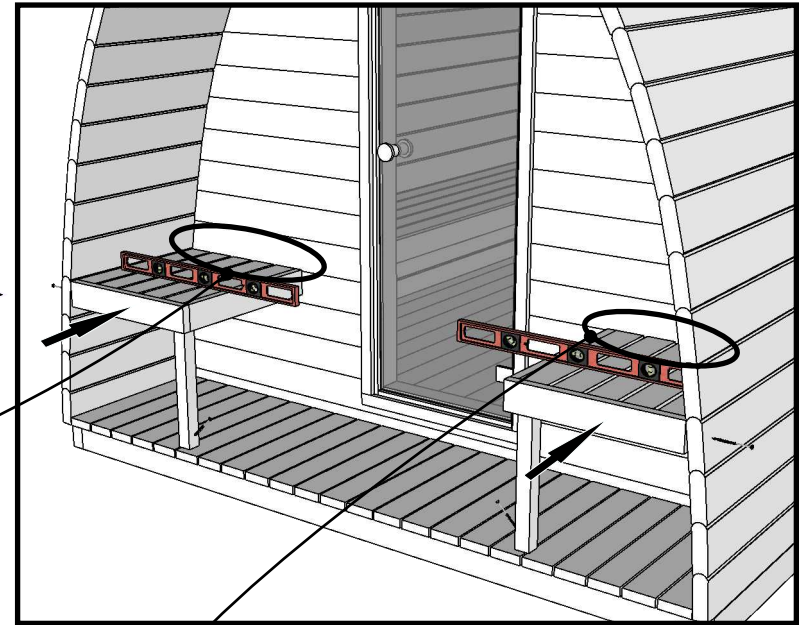
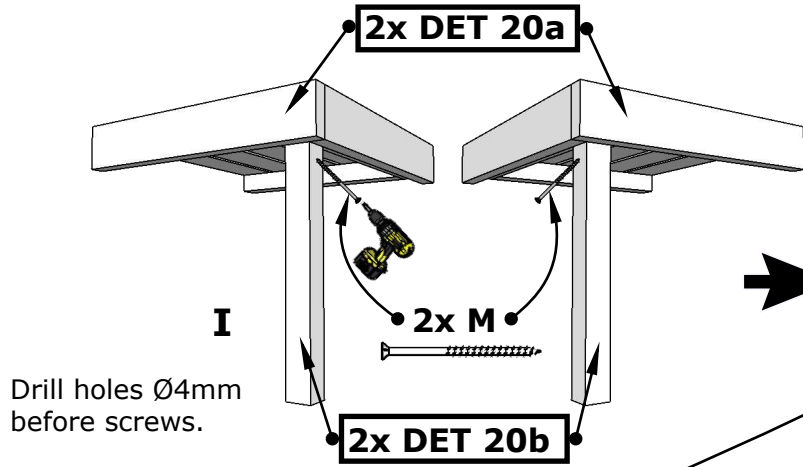


V



VI

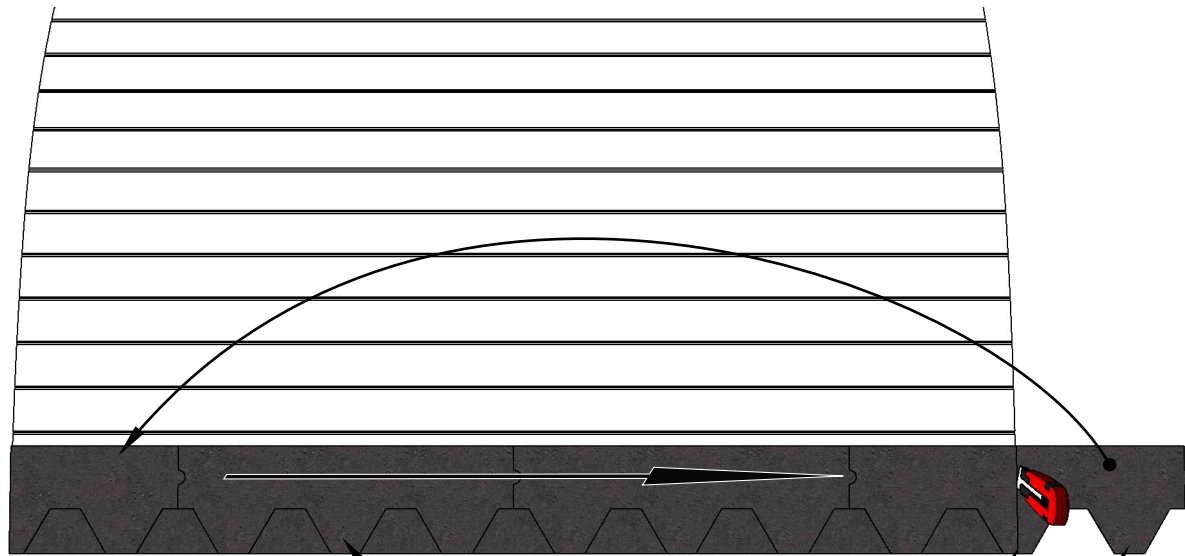
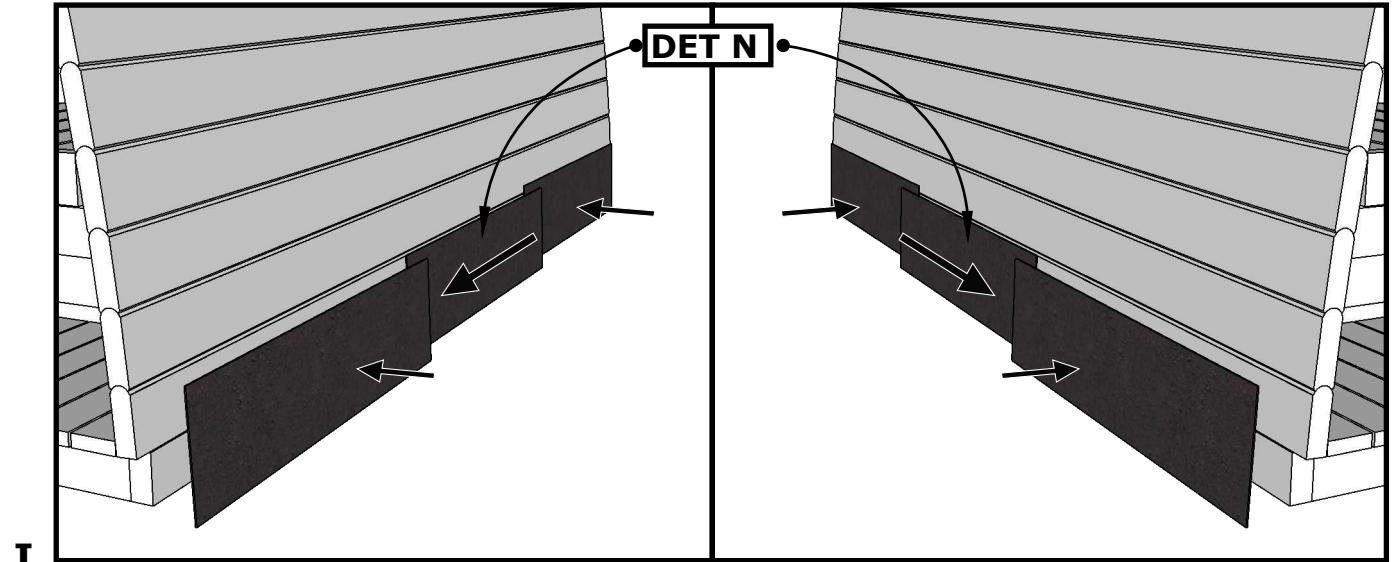
Sauna POD 300



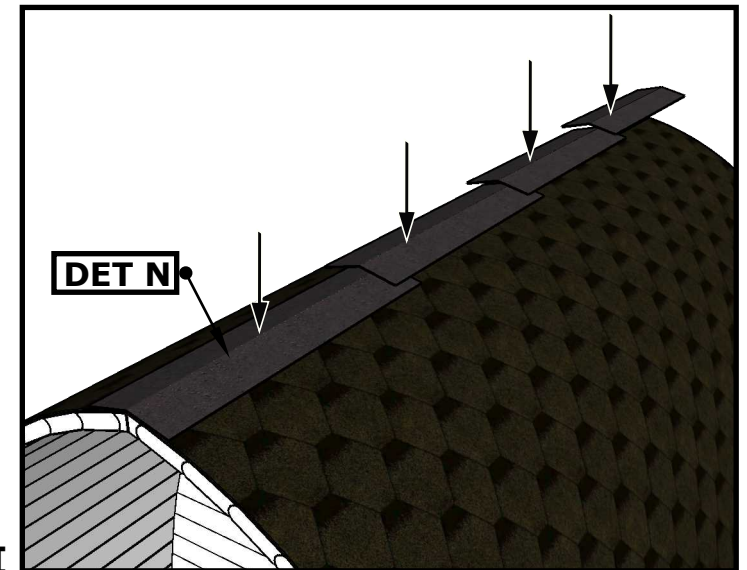
Sauna POD 300



NB! Check also roof shingles installation manual inside package.



Cut and use it on other end.



Sauna POD 300

