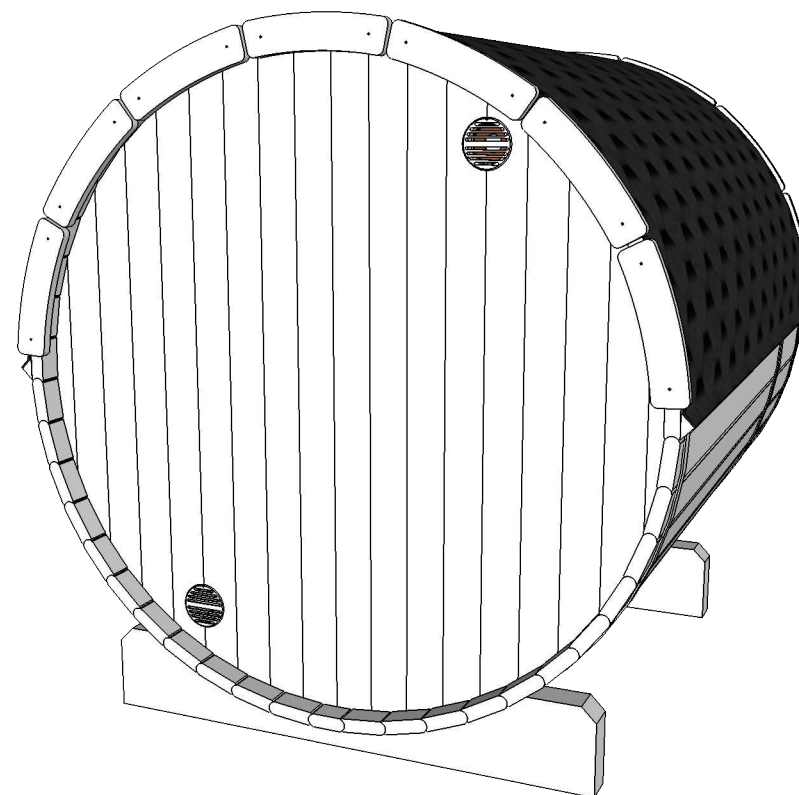


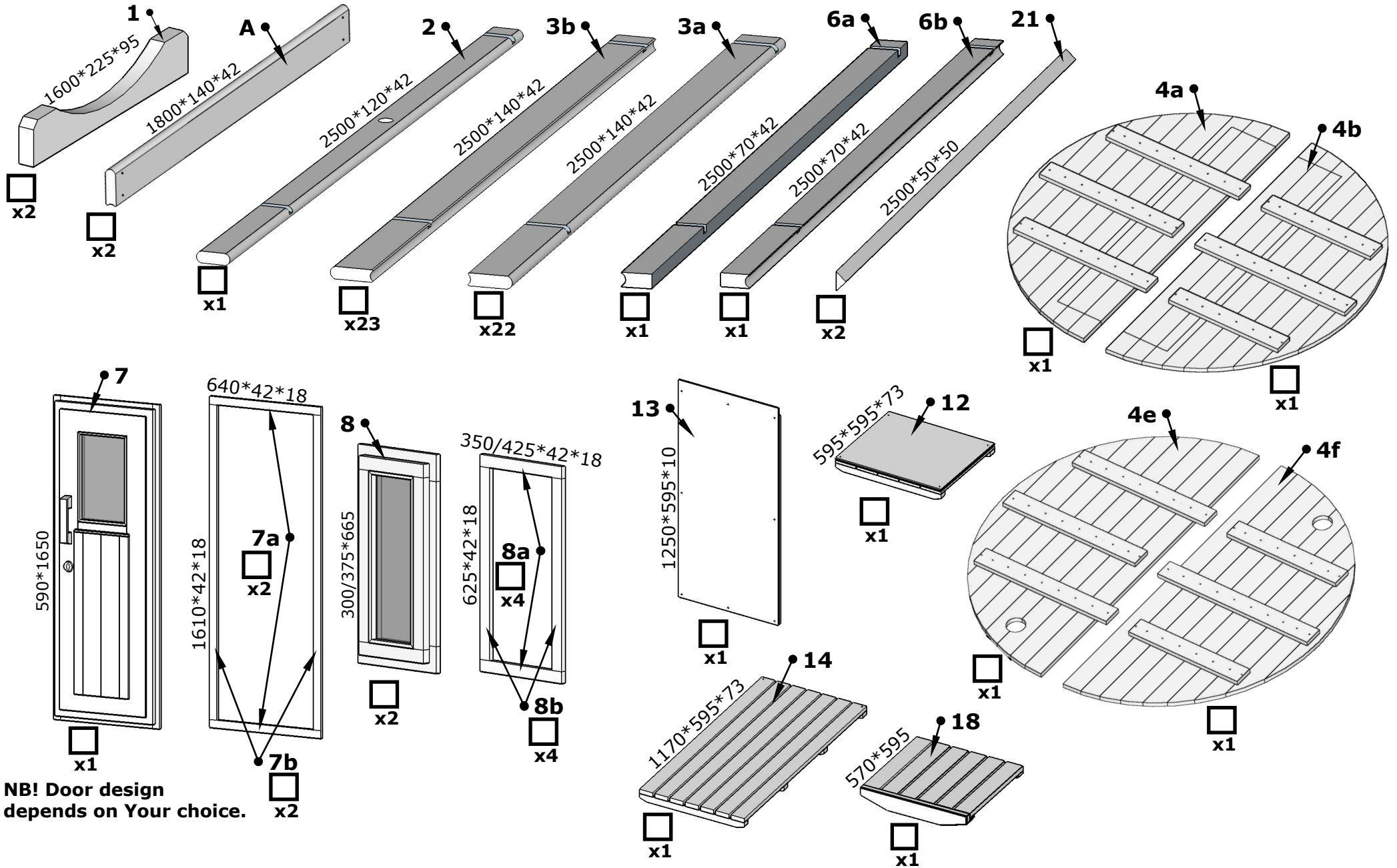
Sauna 250, Ø200

**Please read the whole manual
before You start.**



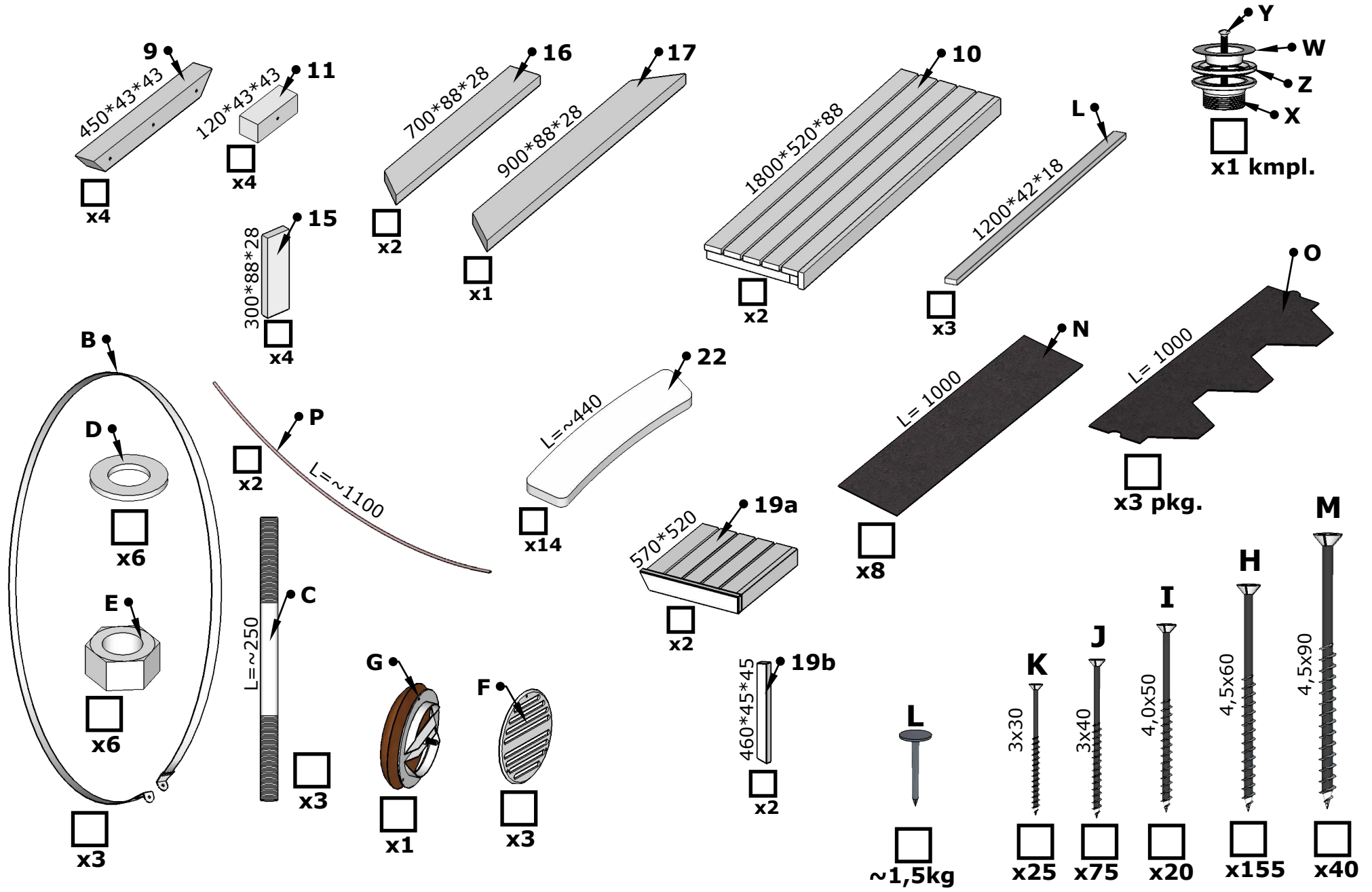
SAUNA 250, Ø200

Details list Nr. 1

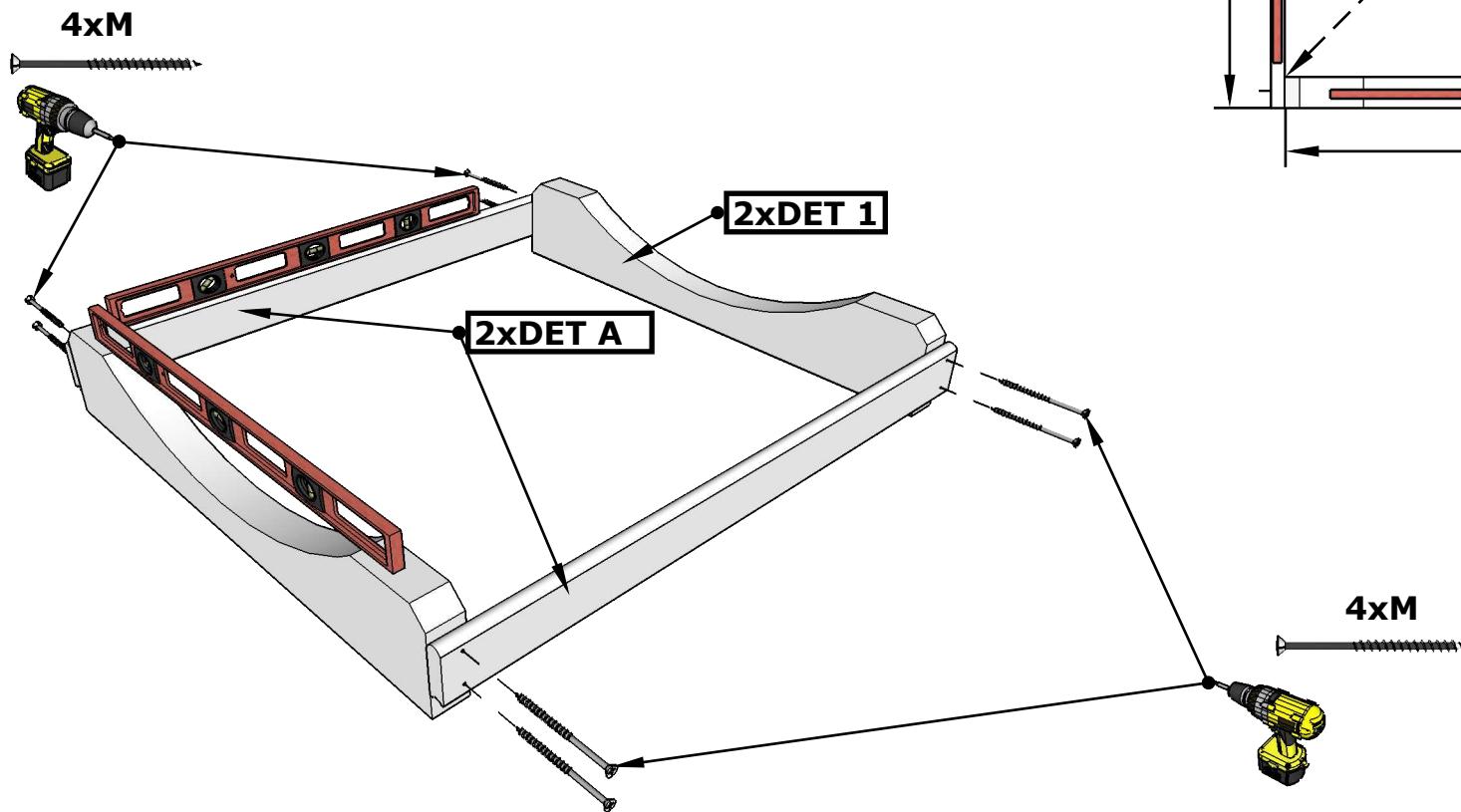
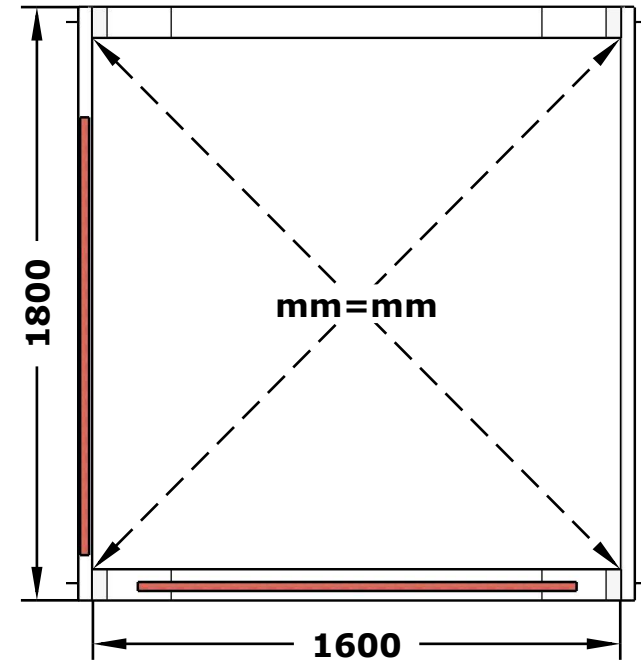


SAUNA 250, Ø200

Details list Nr. 2



Sauna 250, Ø 200

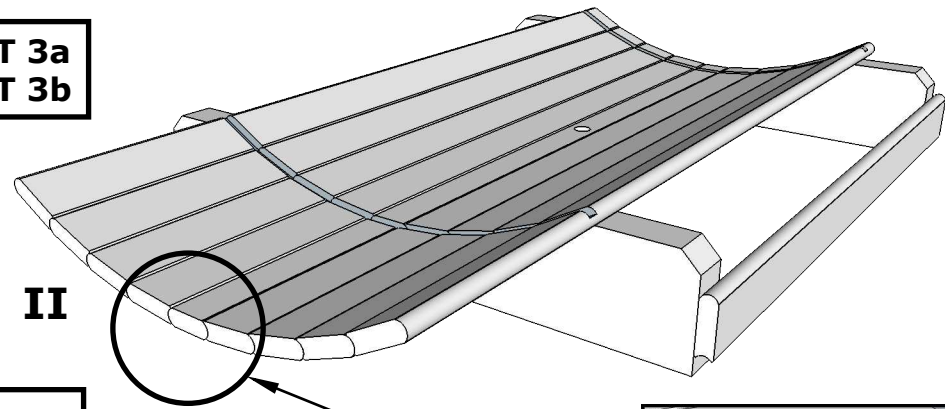


1.

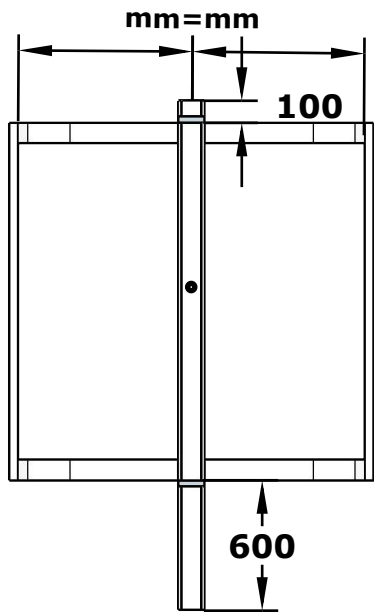
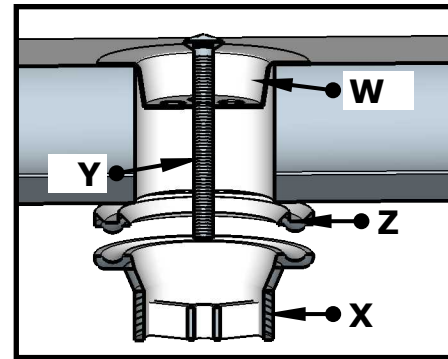
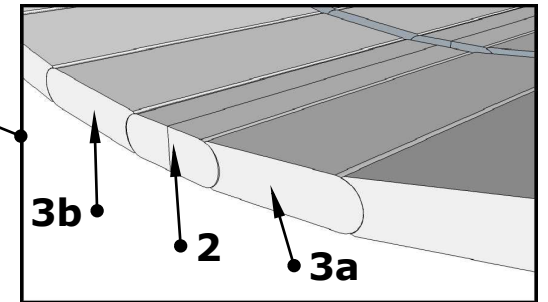
Sauna 250, Ø 200



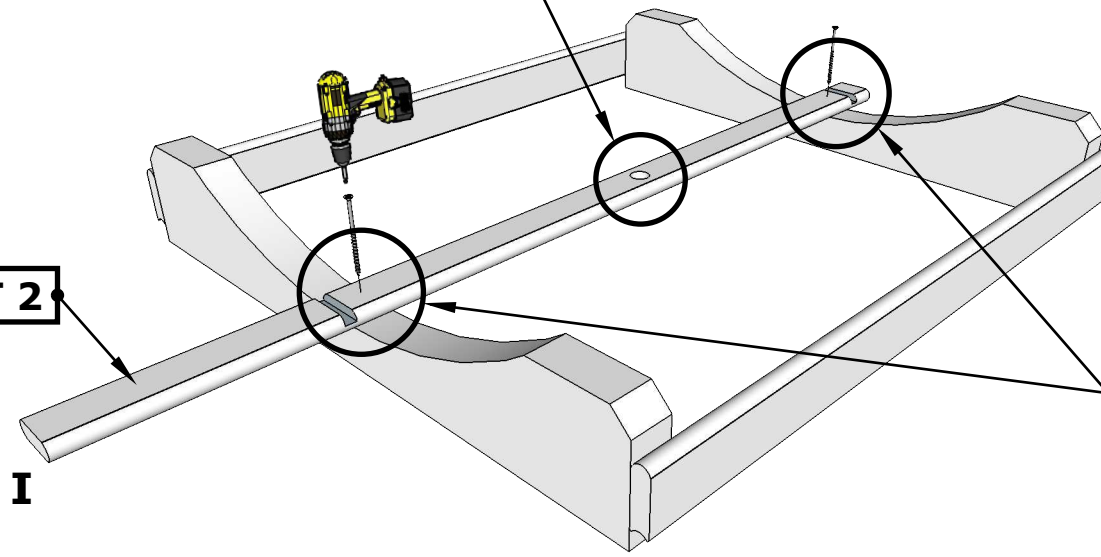
4 x DET 3a
4 x DET 3b



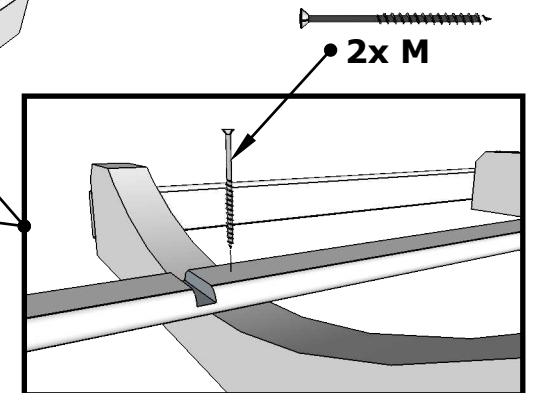
II



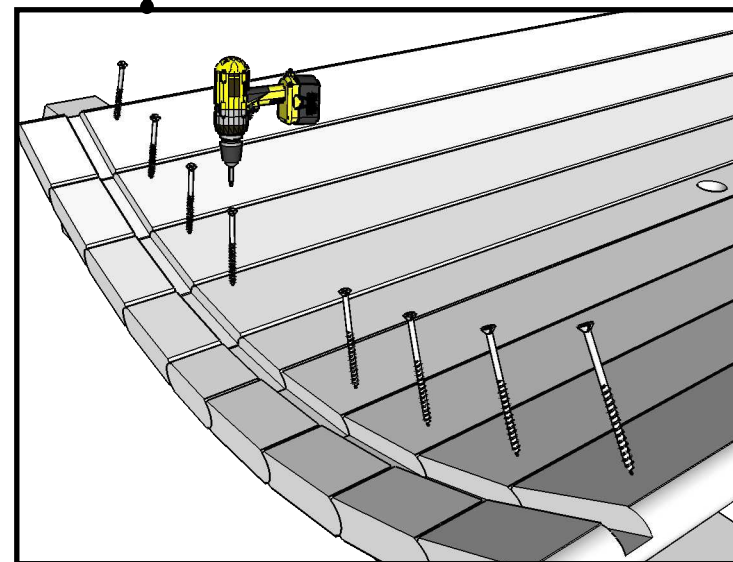
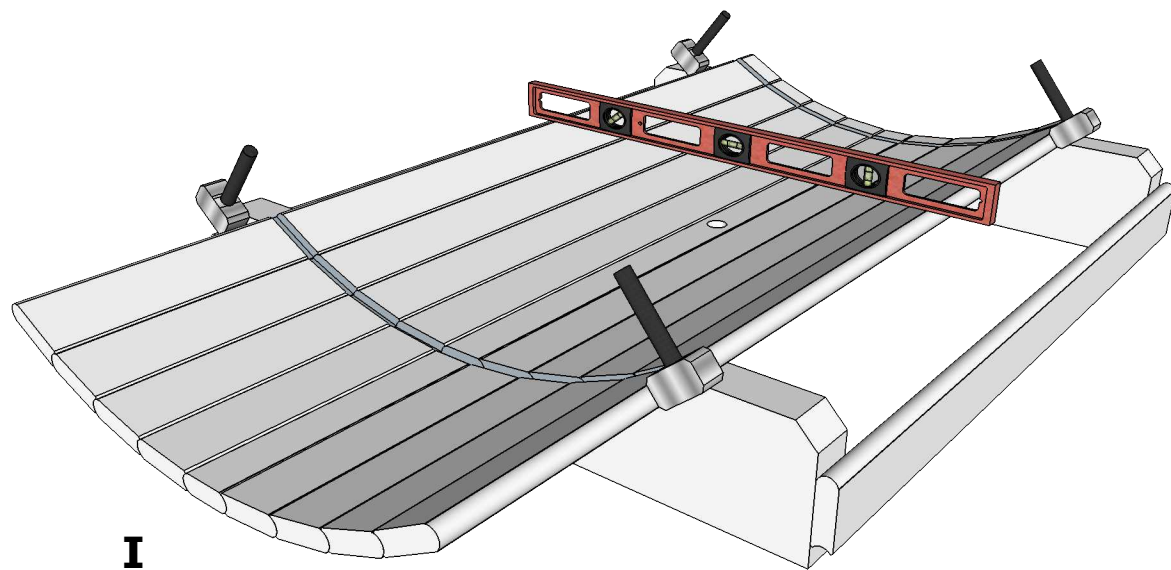
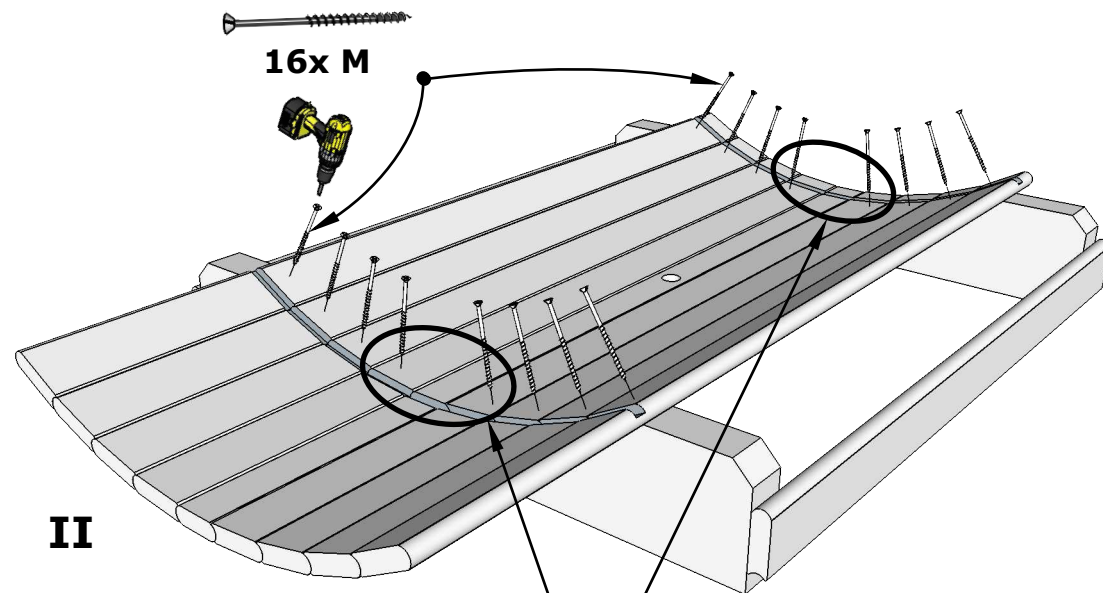
1x DET 2



I

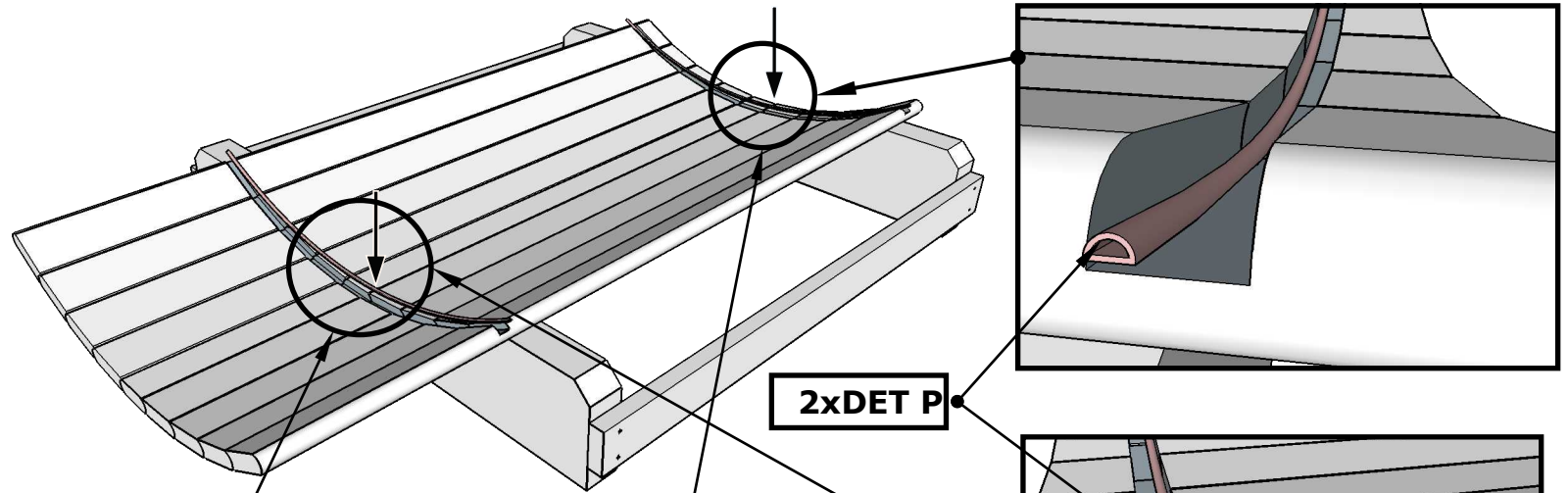


Sauna 250, Ø 200

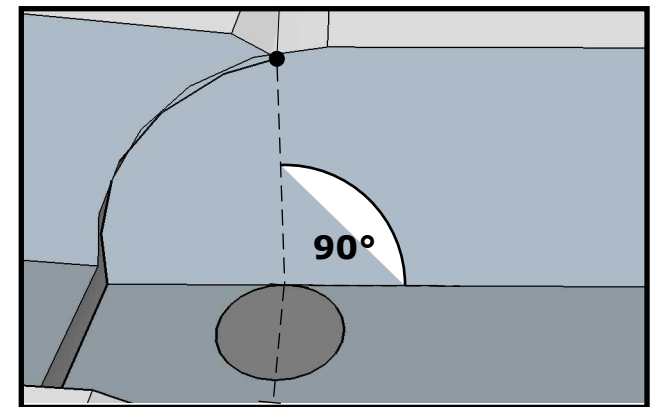
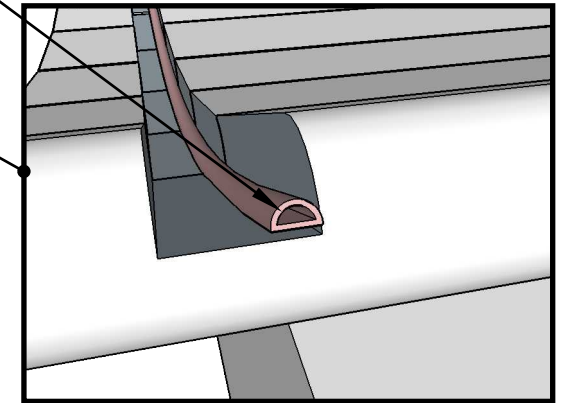
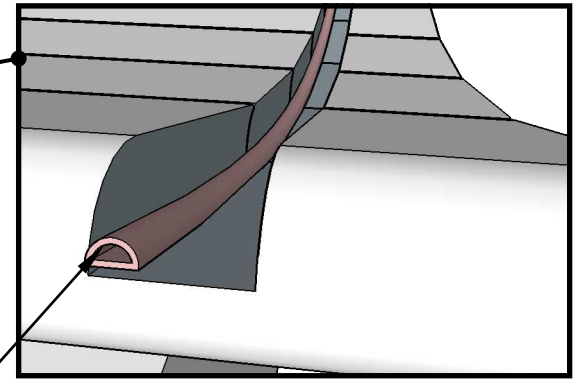
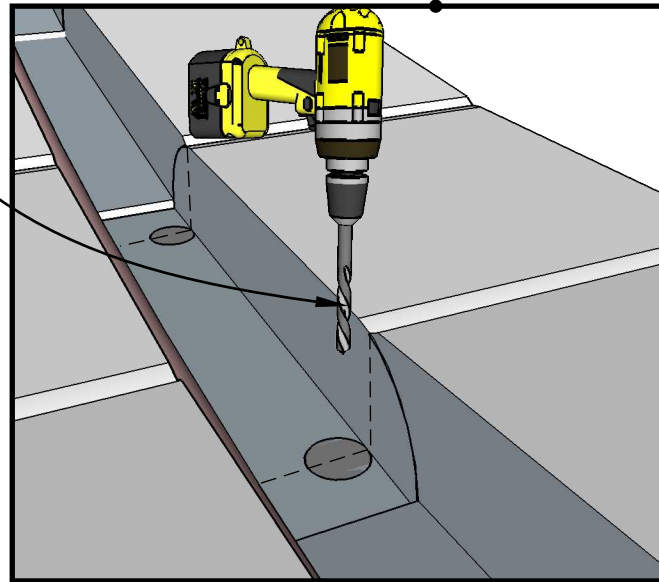
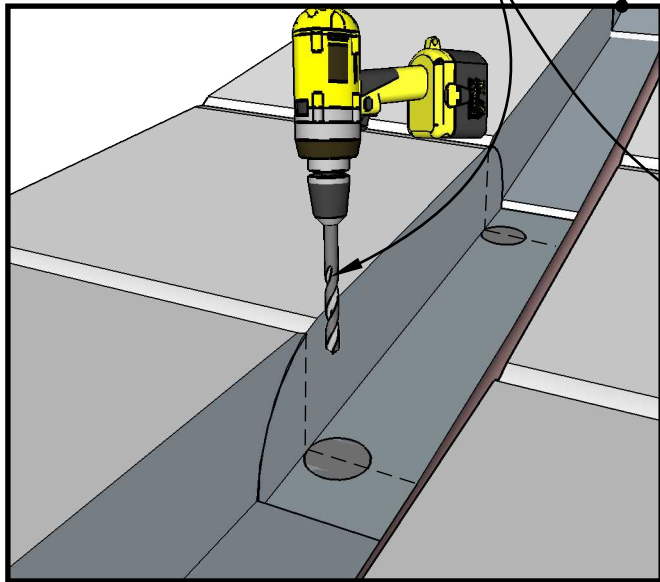


3.

Sauna 250, Ø 200

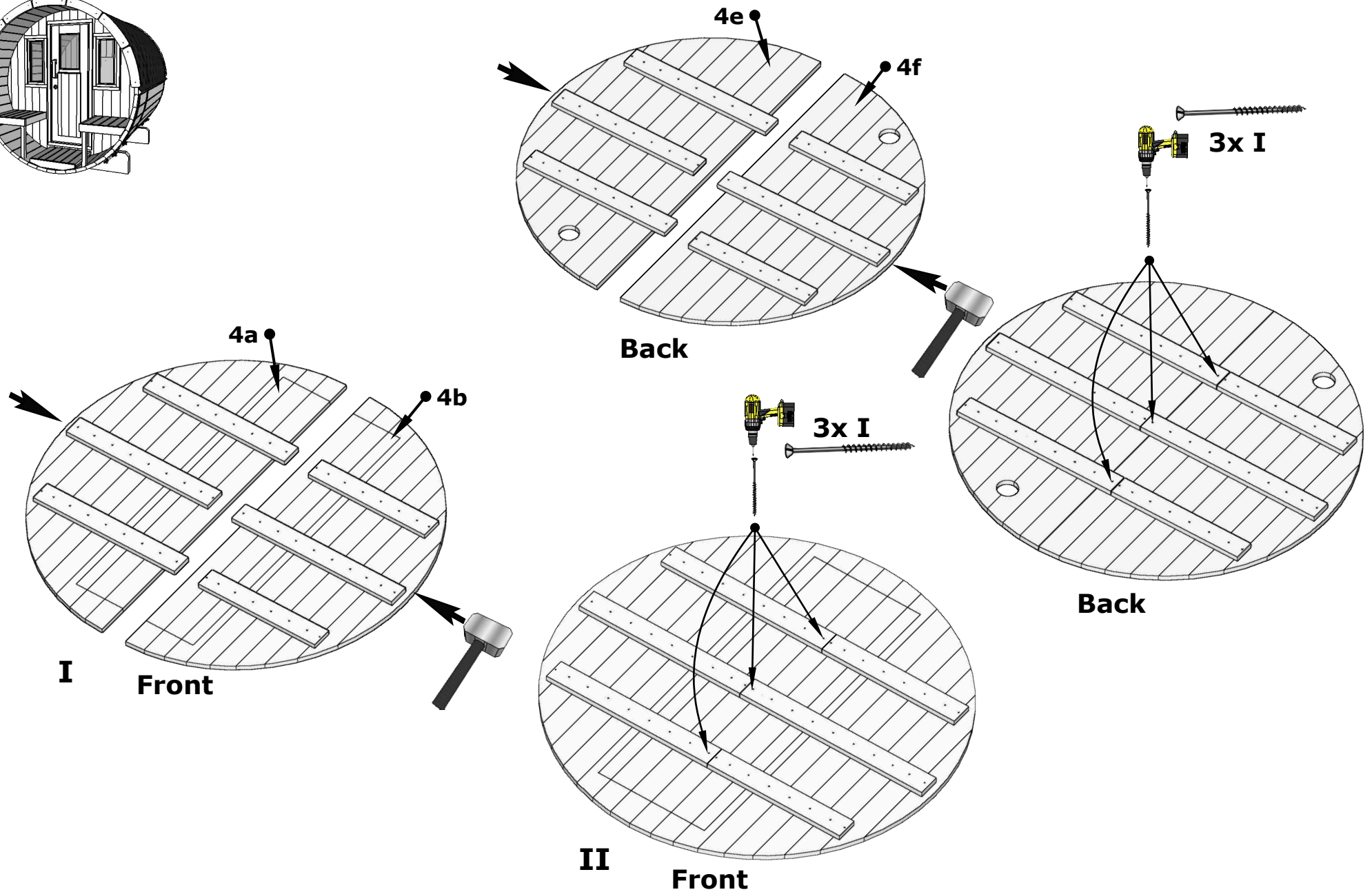


Drill 4 holes
Ø10mm outside



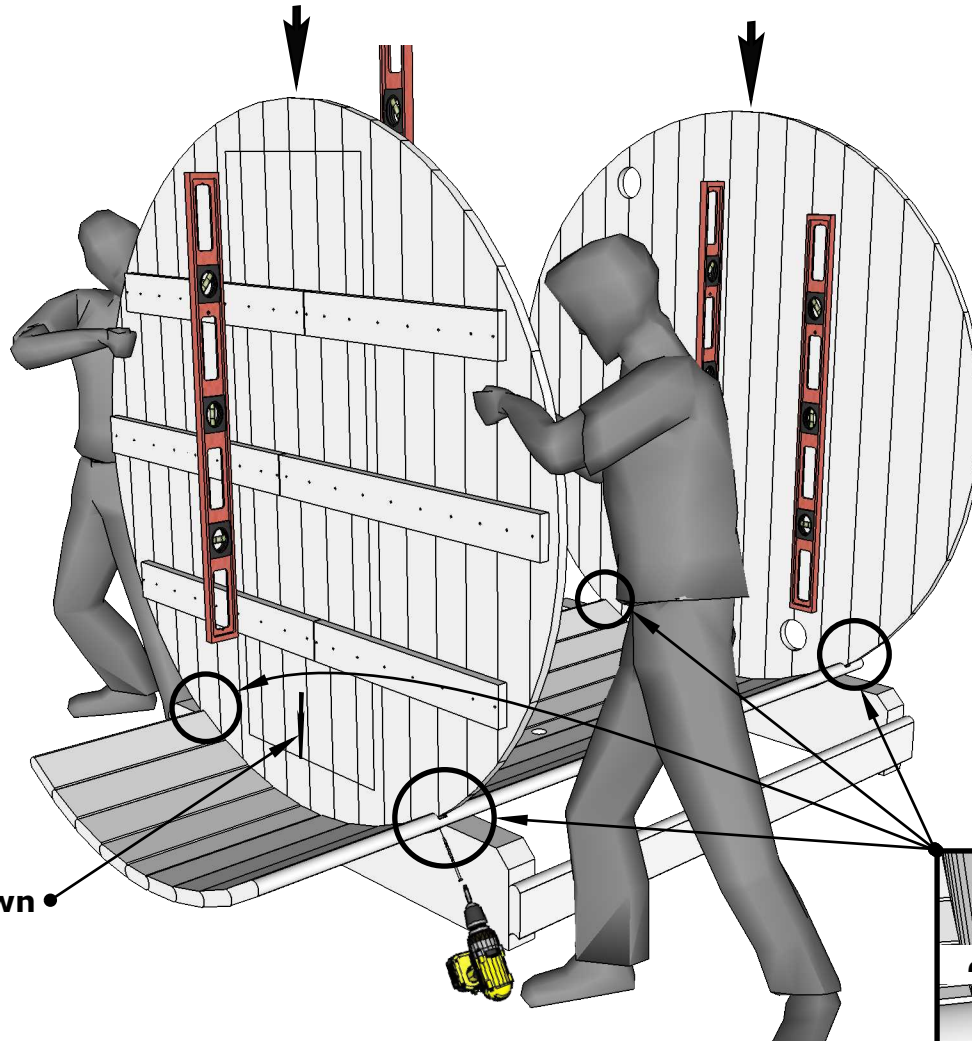
3A.

Sauna 250, Ø 200



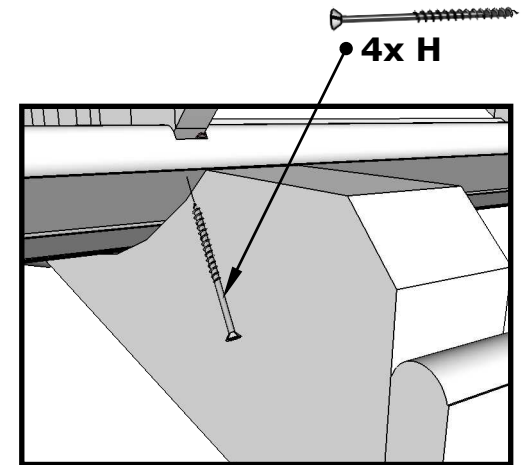
4.

Sauna 250, Ø 200

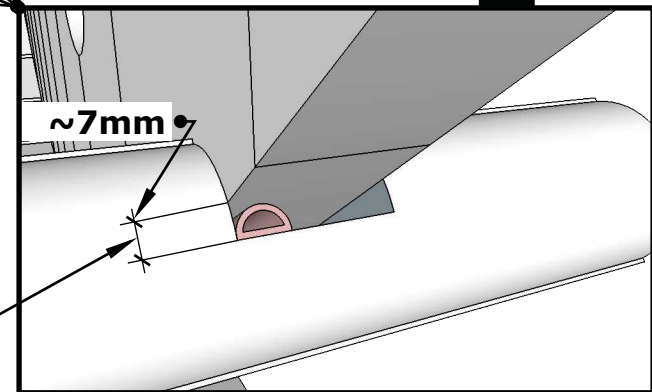


Use waterlevel

Arrow down



4x H



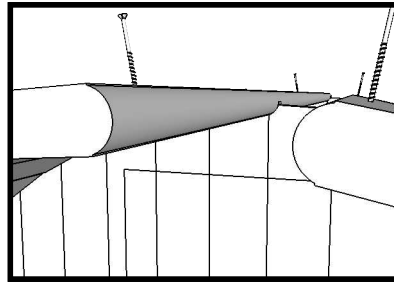
~7mm

Important!
Don't leave space,
if Your Sauna from
thermowood.

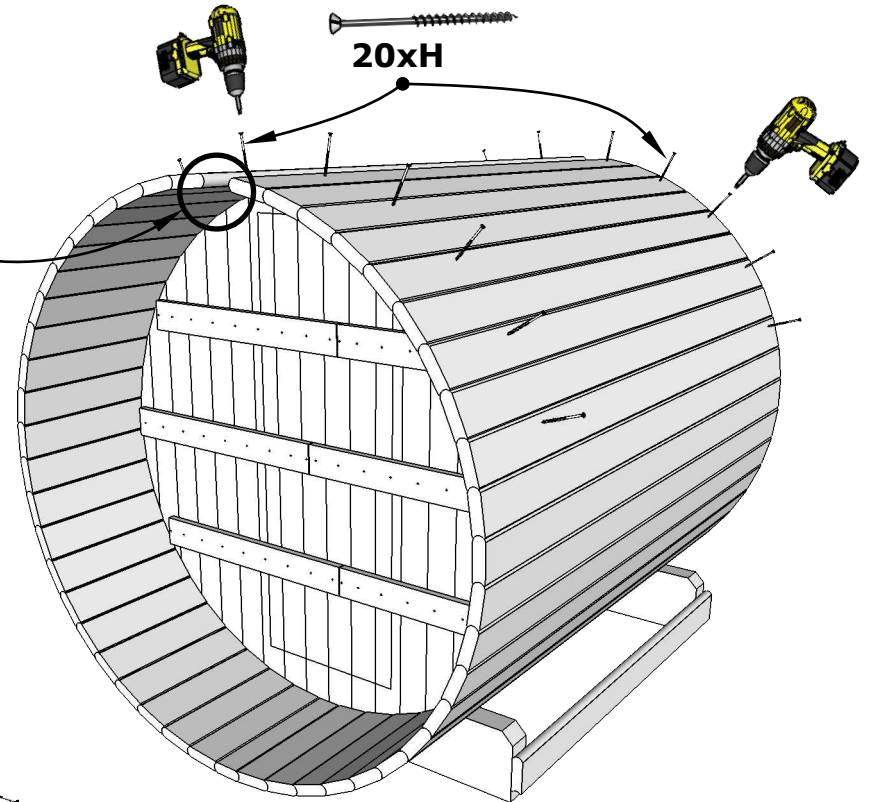
Sauna 250, Ø 200



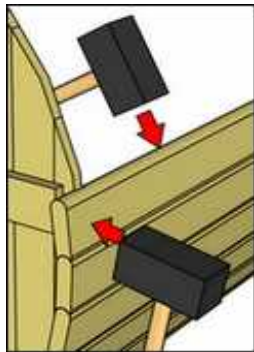
See page 6A



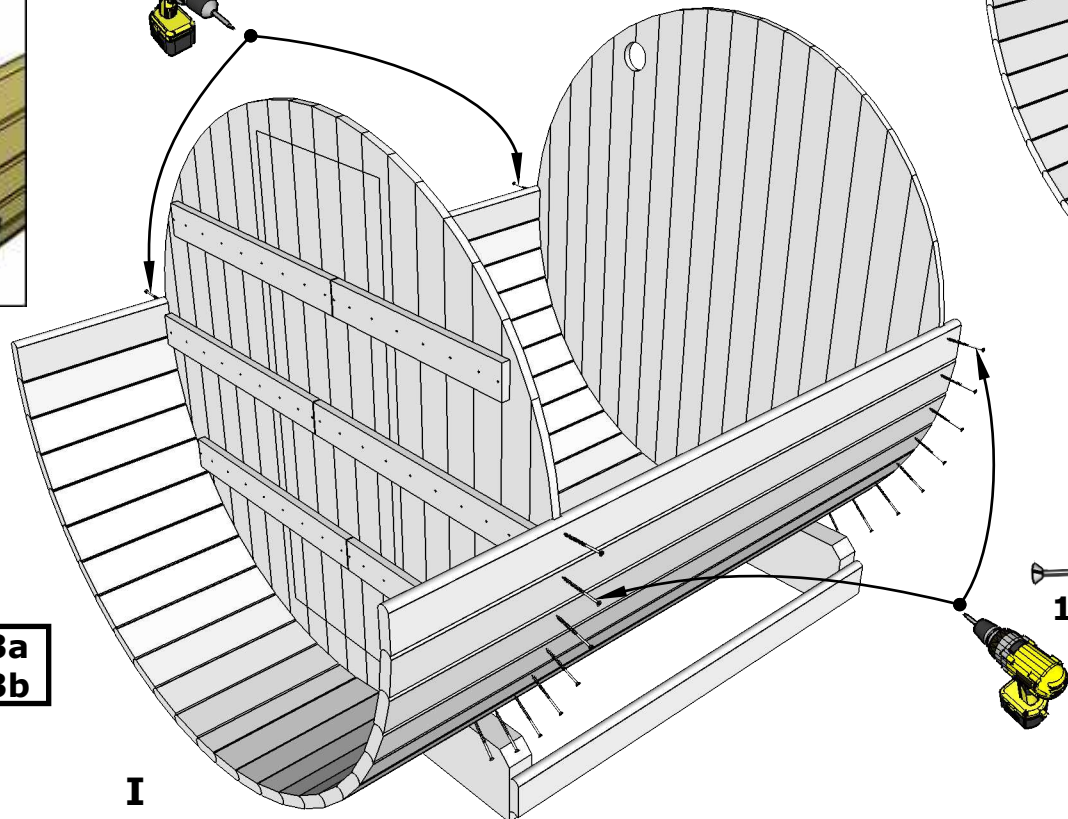
11x DET 3b
10x DET 3a



20xH



16xH



II

16xH

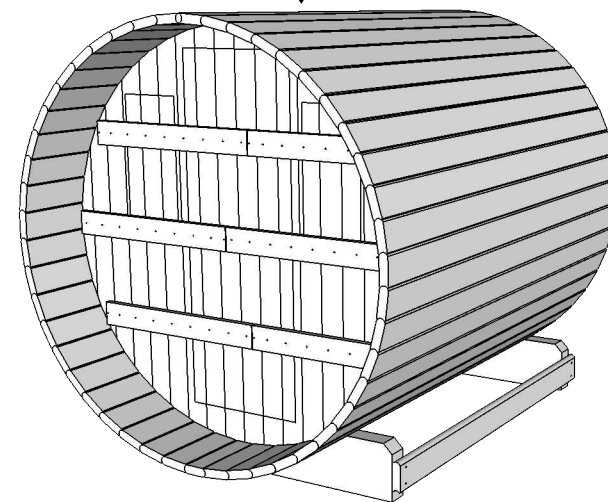
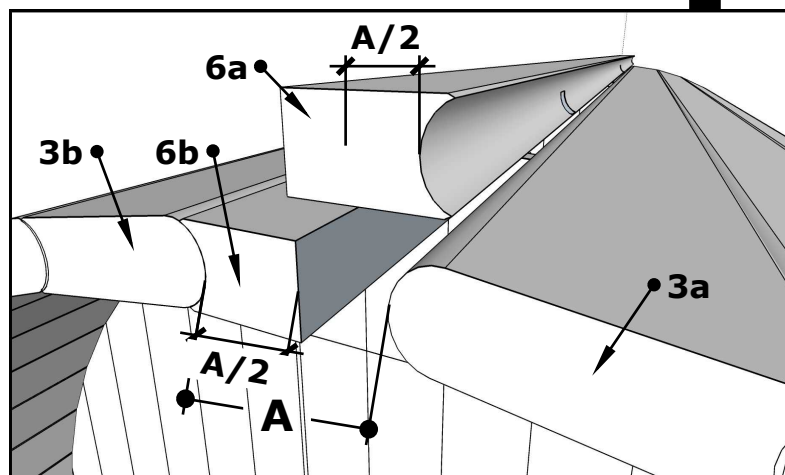
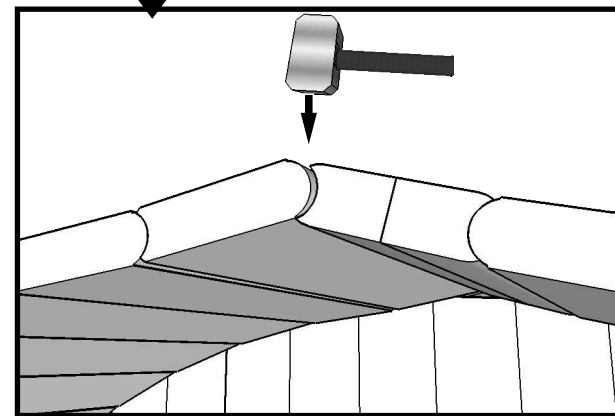
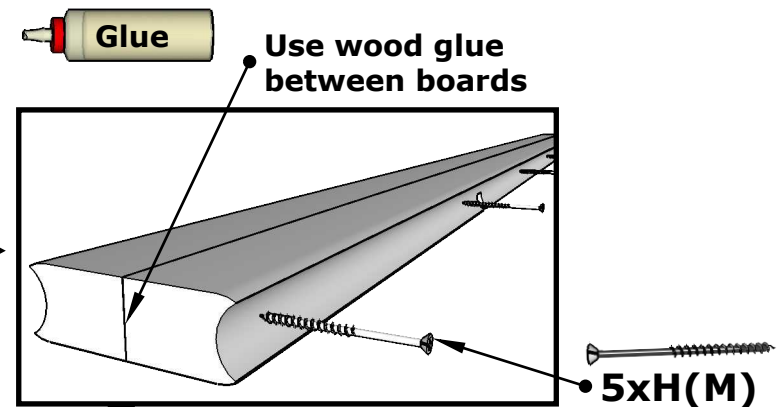
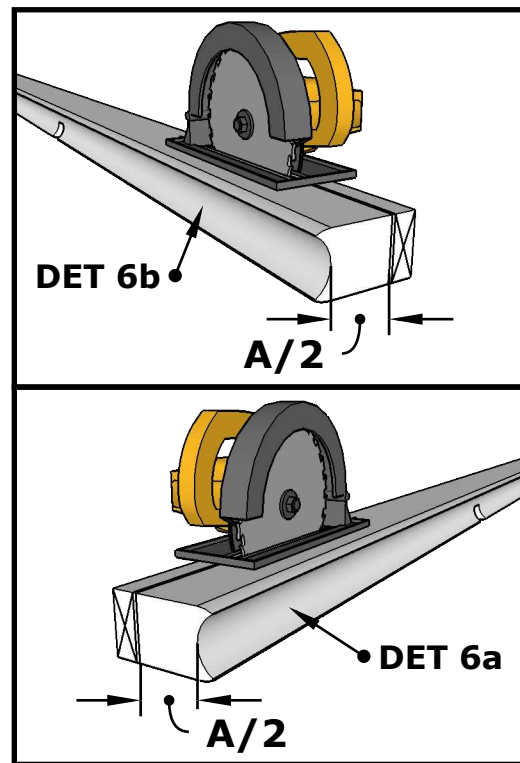


8x DET 3a
8x DET 3b

I

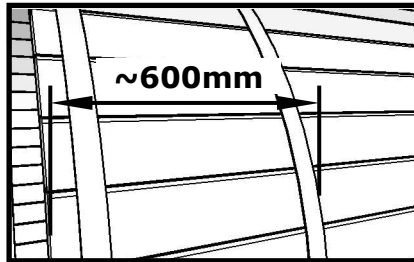
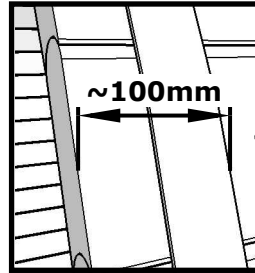
6.

Sauna 250, Ø 200



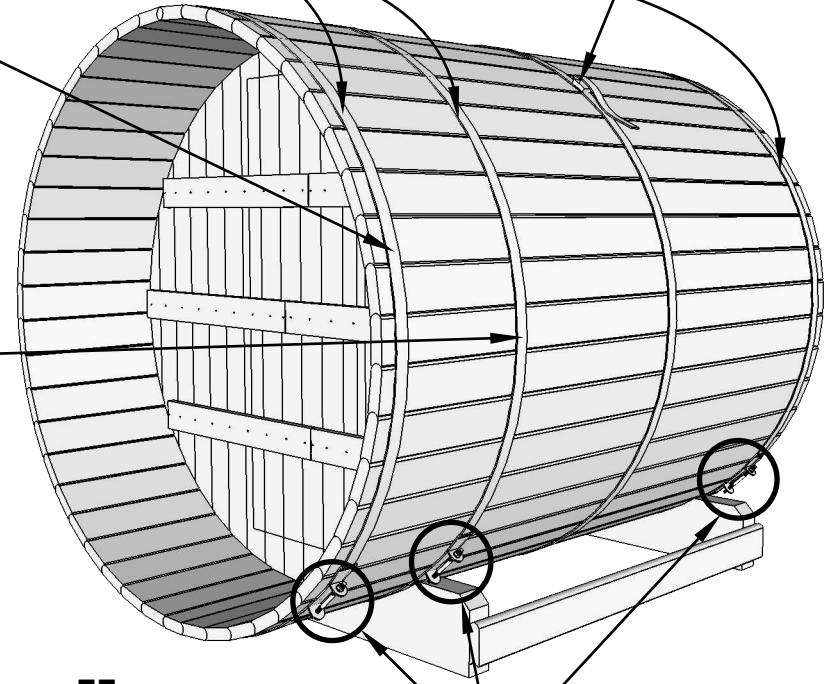
6A.

Sauna 250, Ø 200



3xDET B

Remove

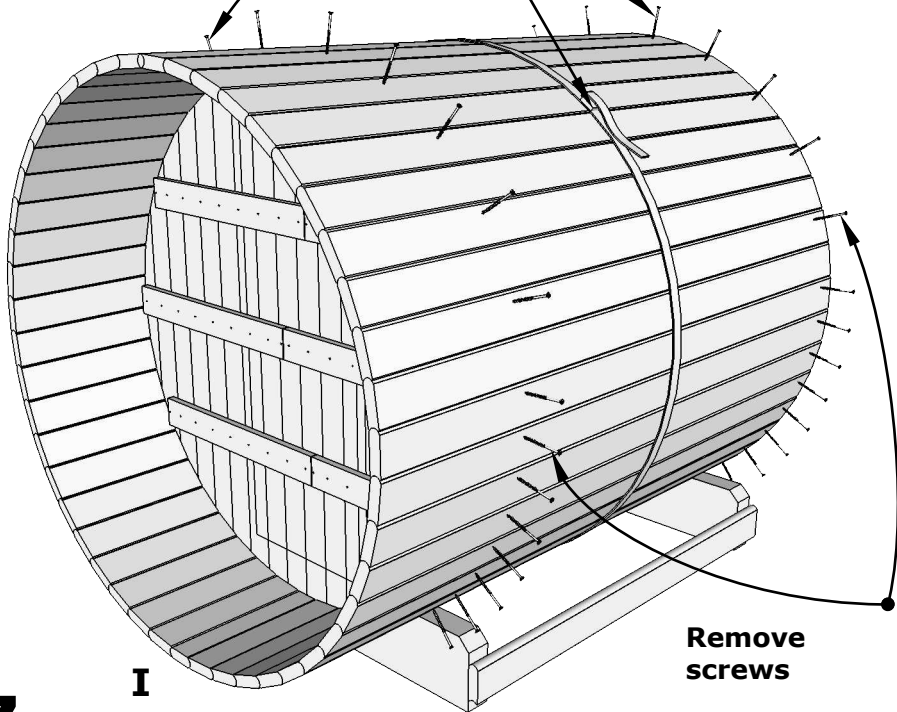


II

Remove screws



Use strap

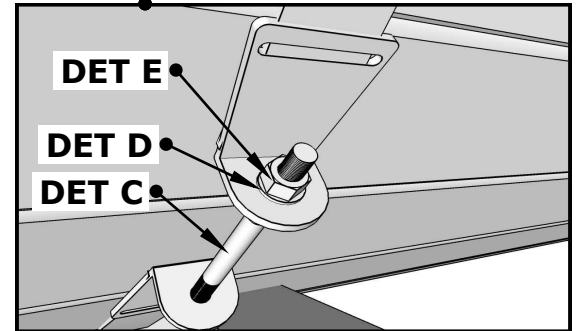


I

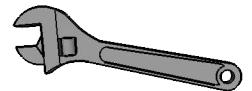
Remove screws



Important!
Don't remove screws if Your
Sauna from thermowood



During assembly and retightening
the threaded rods, use oil
(Würth HPS 1400 or similar)
to avoid "cold welding" and it is
also easier tightening.

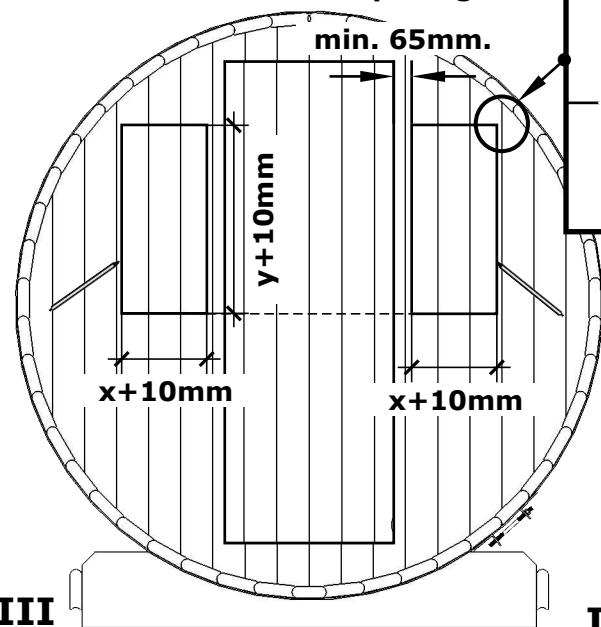


7.

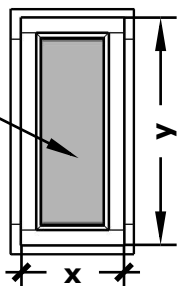
Sauna 250, Ø 200



Mark windows openings.

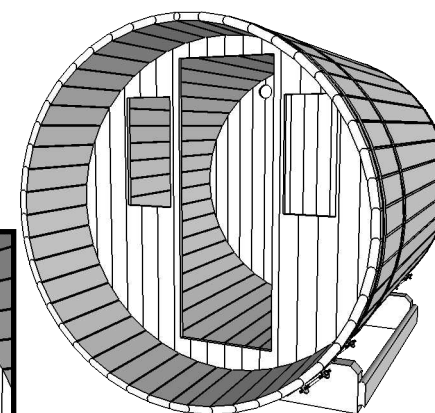
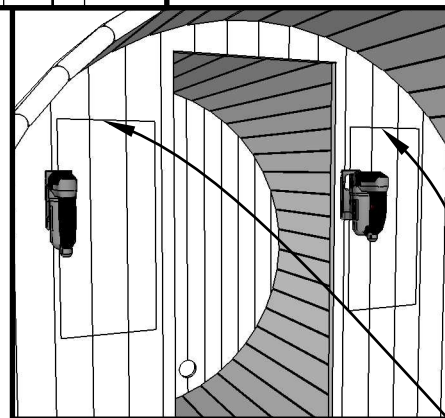


DET 8



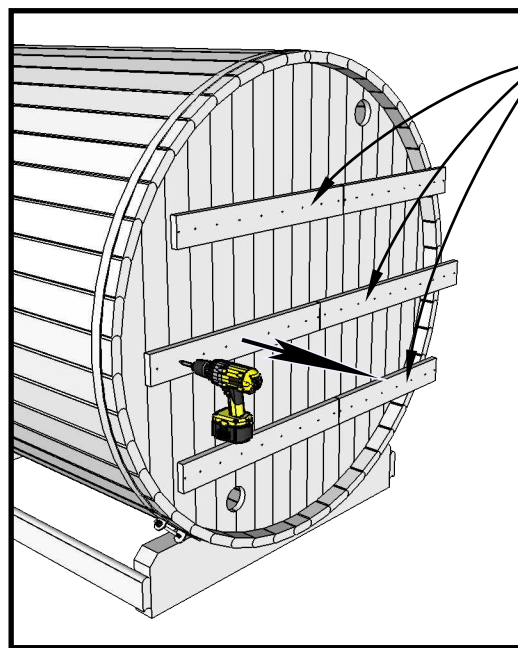
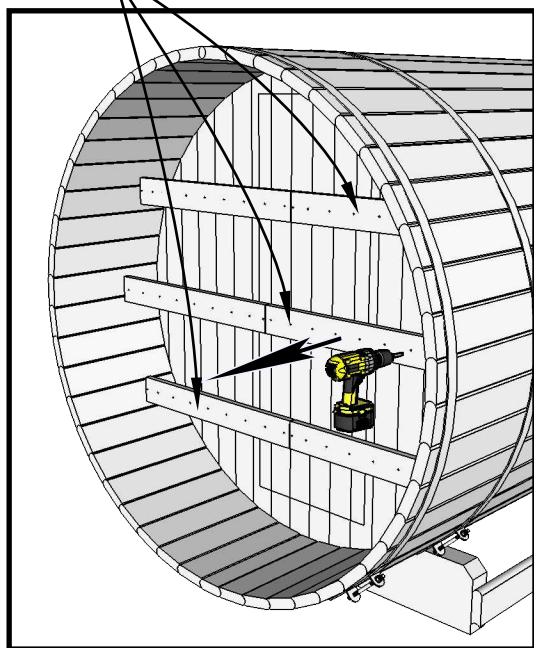
III

IV



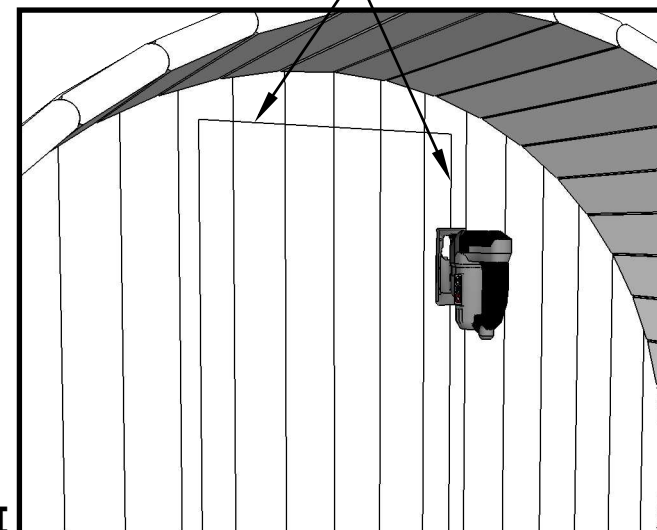
V

Remove all brackets



Remove all brackets

Cut out, follow the guidelines.



8. I

II

Sauna 250, Ø 200



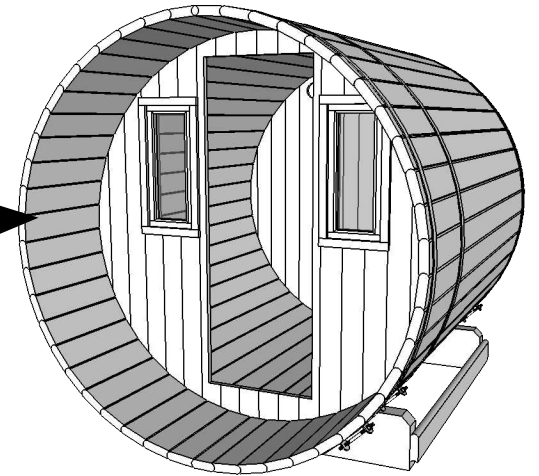
Use waterlevel for windows installation

4x DET 8a
4x DET 8b

20x J



III



NB! Place windows from inside.

2x DET 8

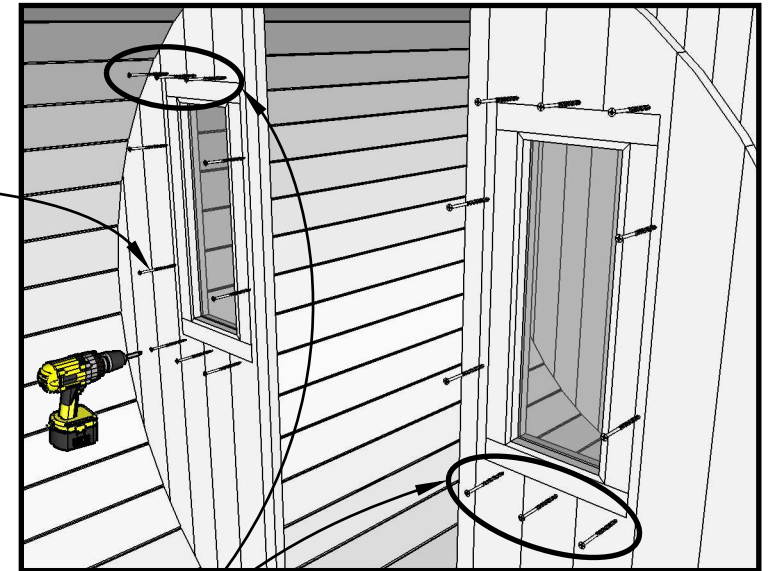


I

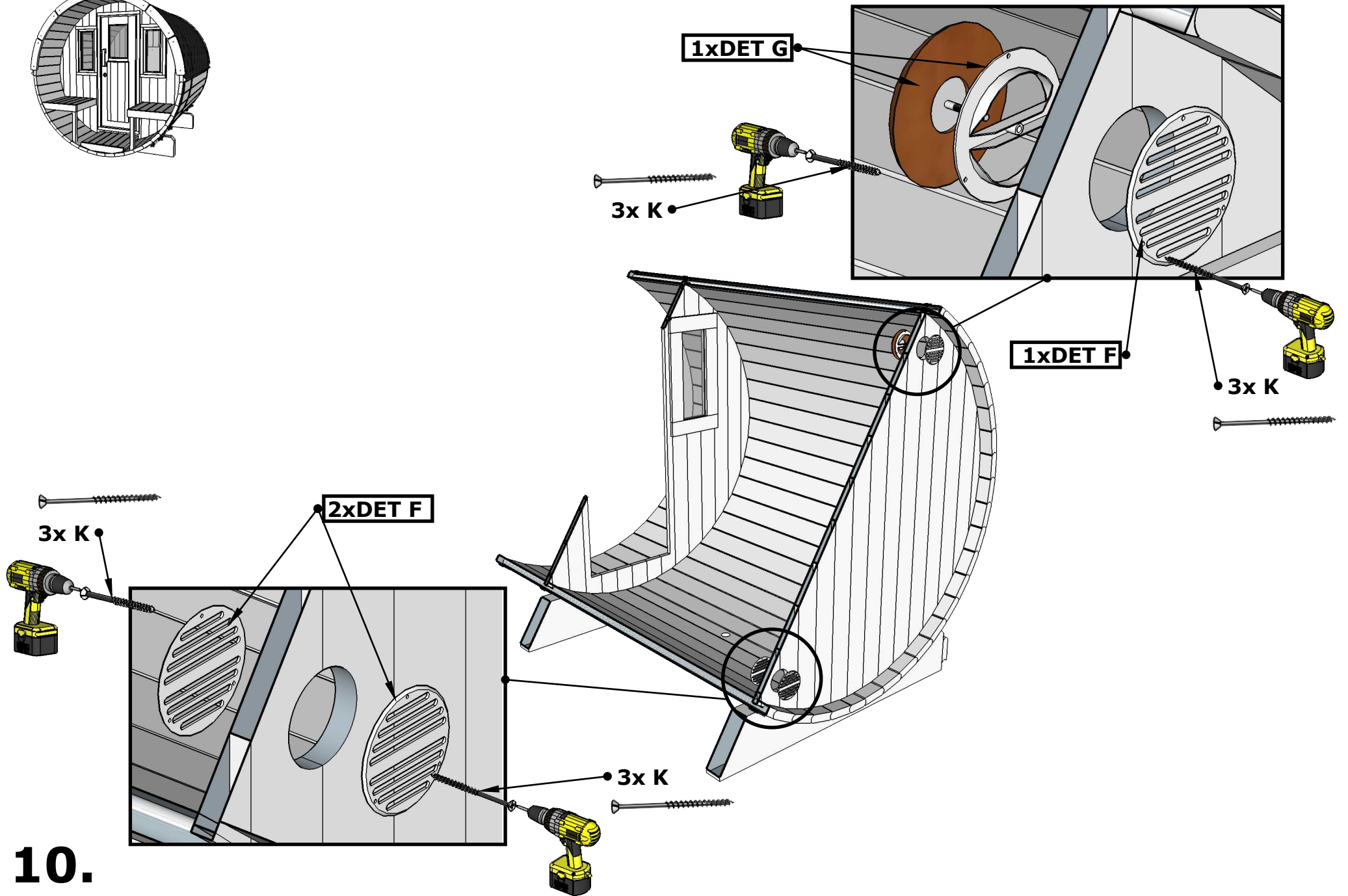
20x J

II

Horizontally fix screws in every board.

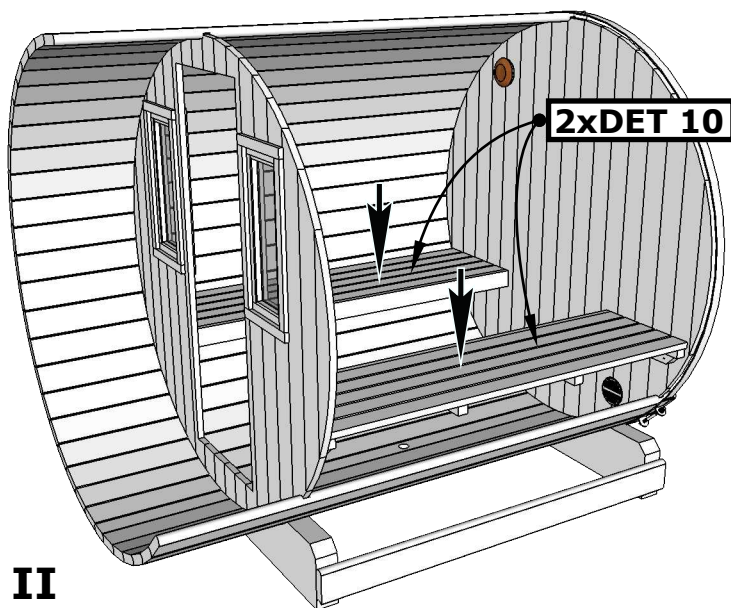


Sauna 250, Ø 200

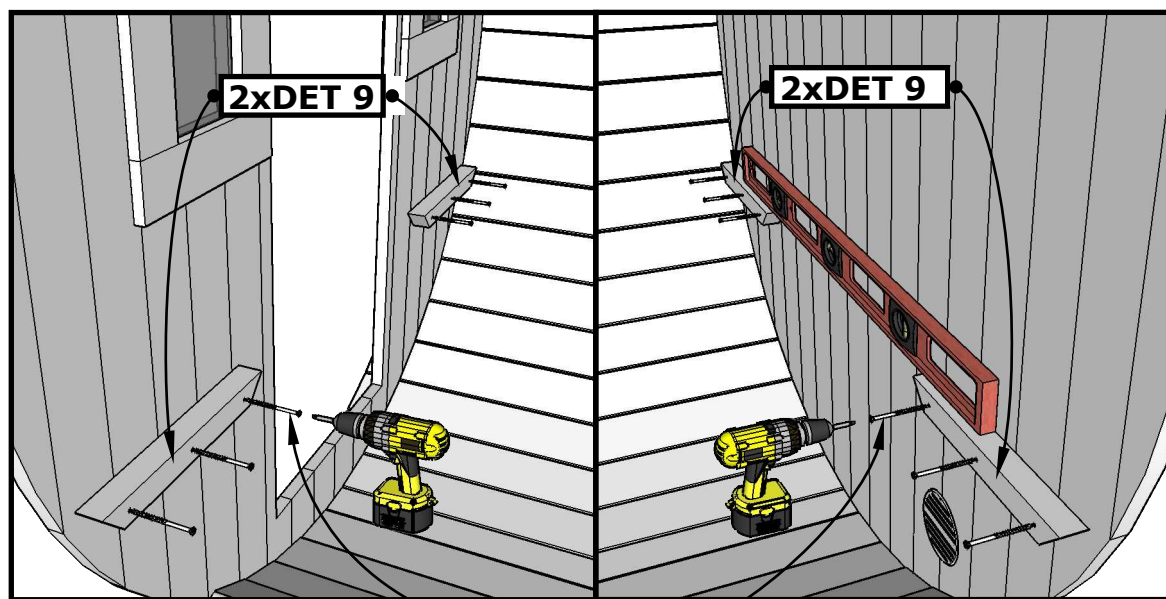


10.

Sauna 250, Ø 200

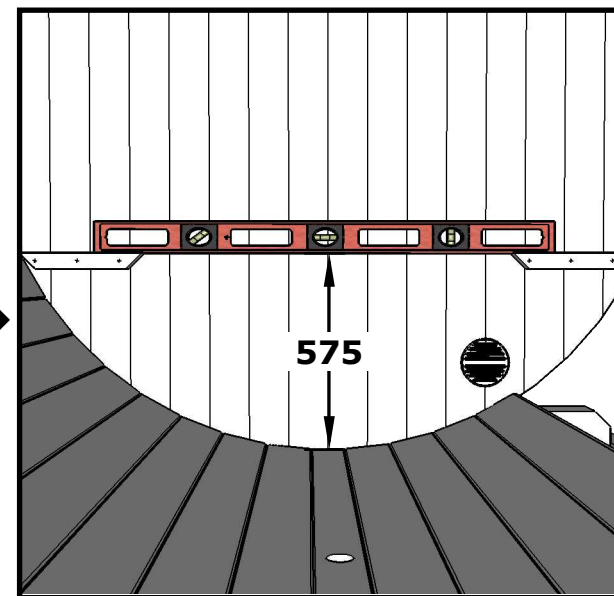


II



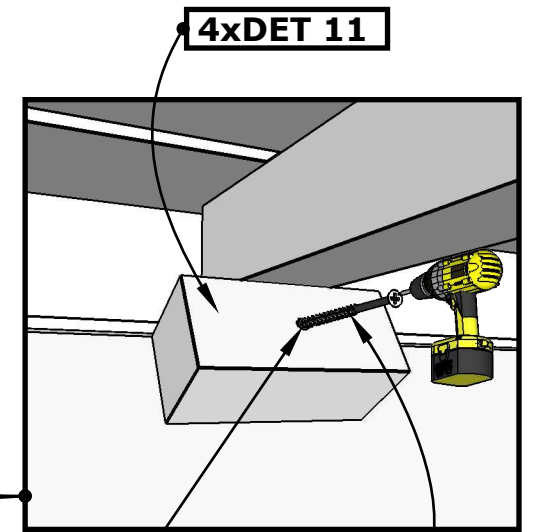
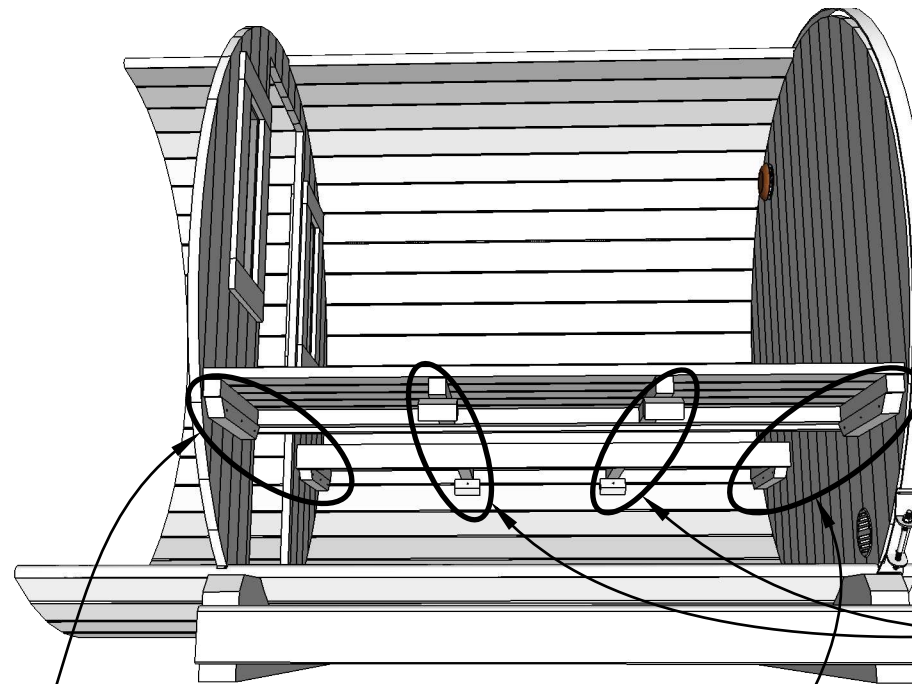
I

• 12x H •



11.

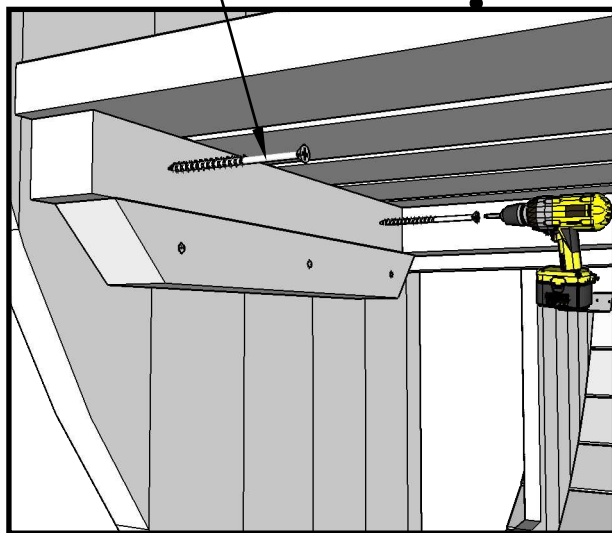
Sauna 250, Ø 200



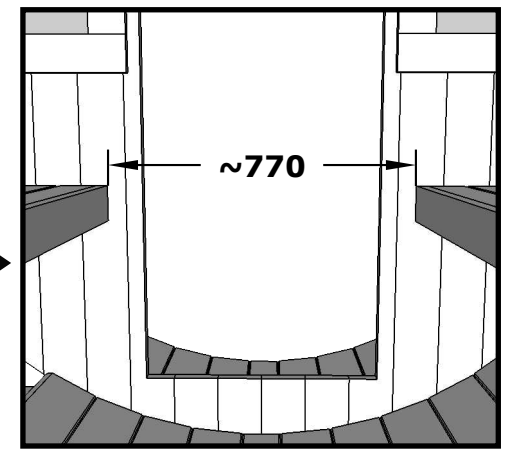
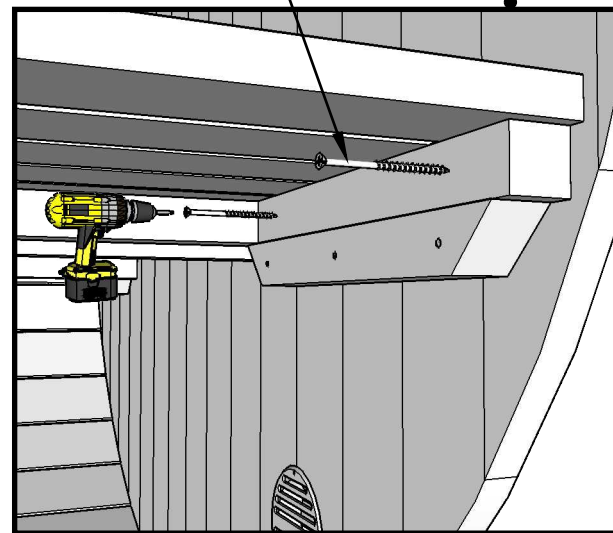
Drill holes Ø4mm before screws

4x H

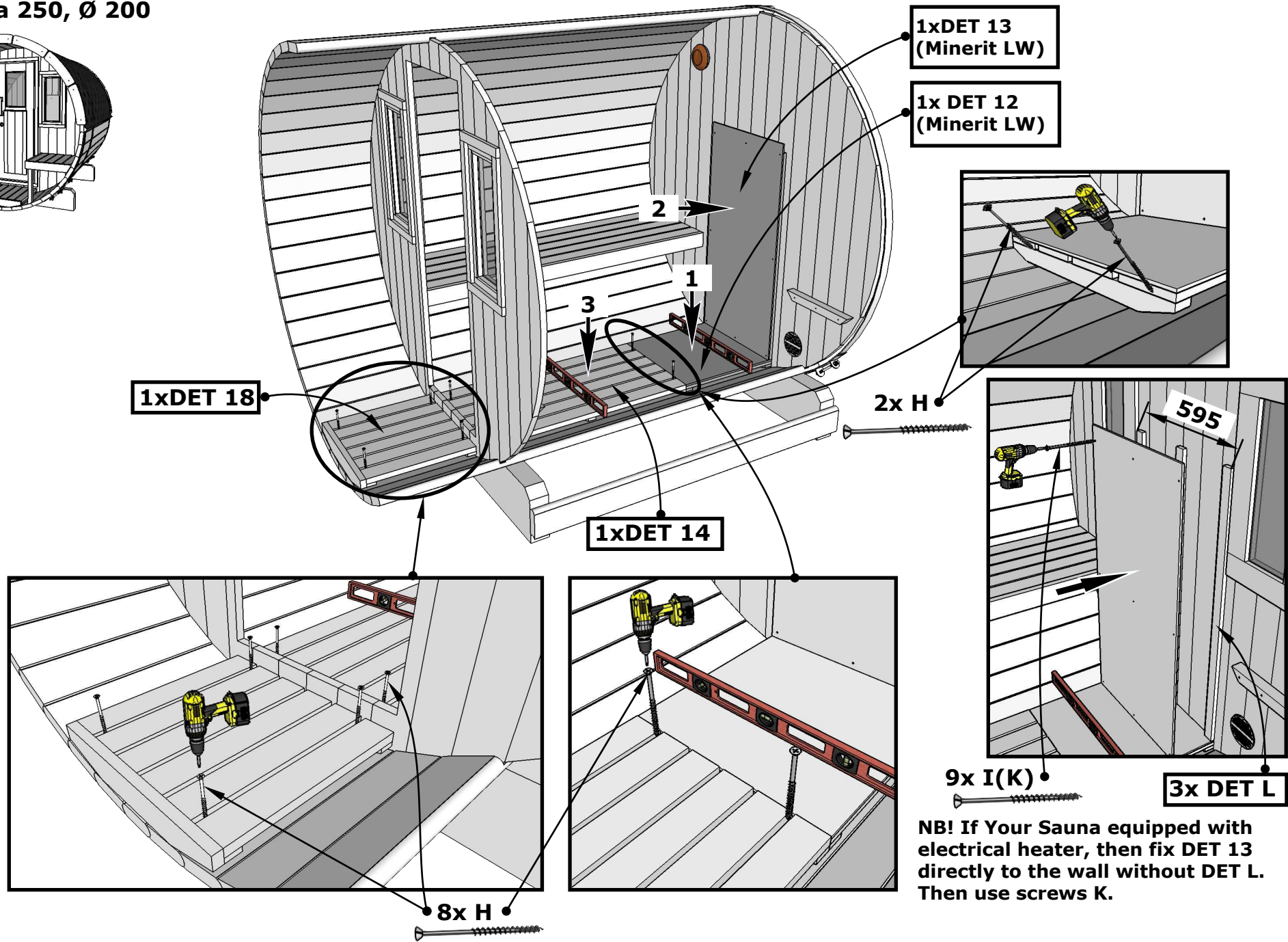
4x H



4x H



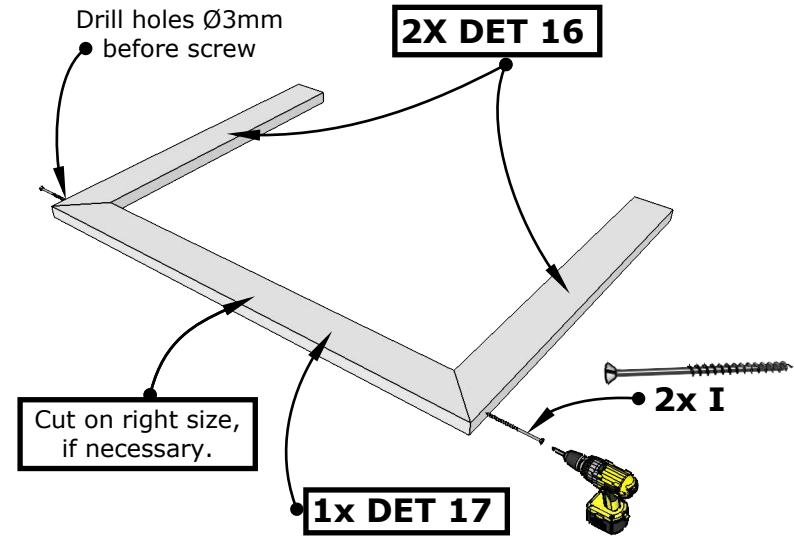
Sauna 250, Ø 200



Sauna 250, Ø 200



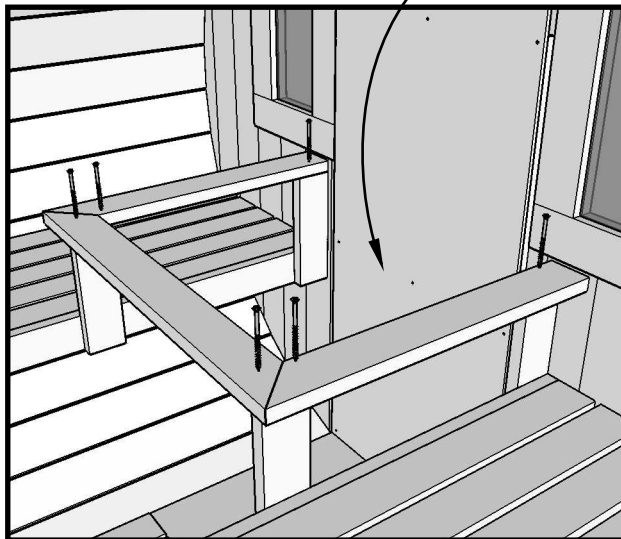
I



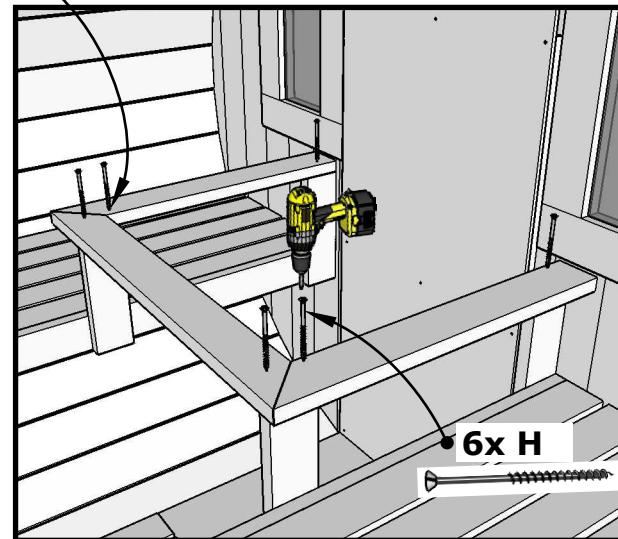
II

NB: Place sauna heater first

Drill holes Ø4mm before screws

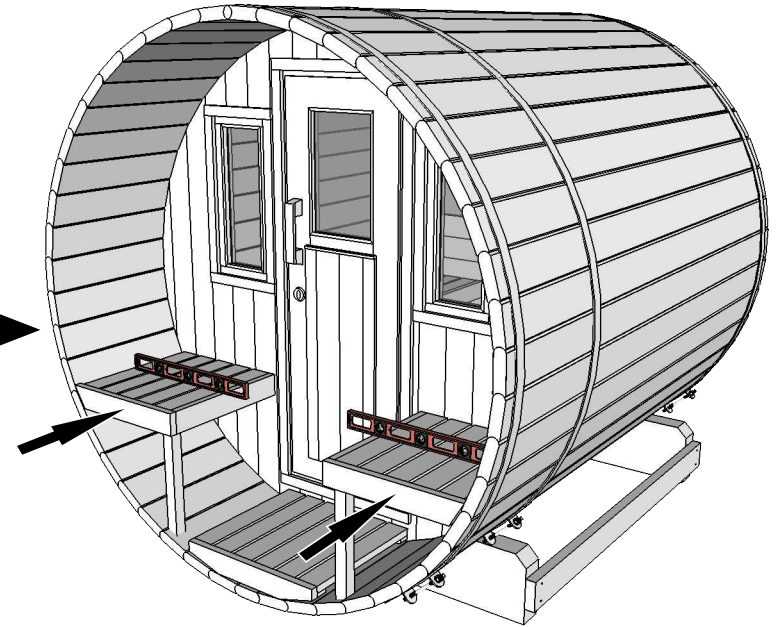
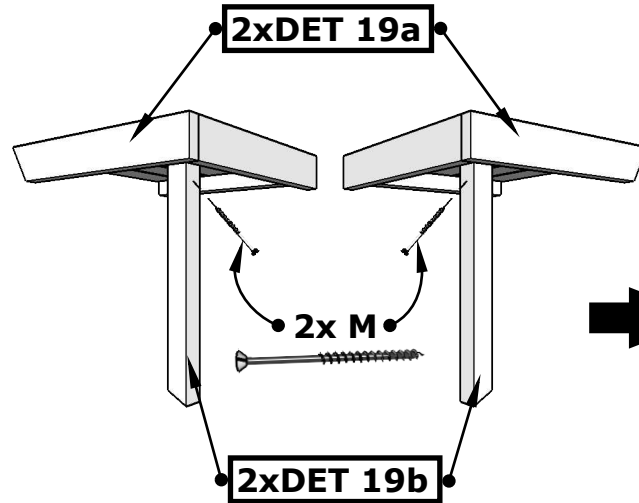


III



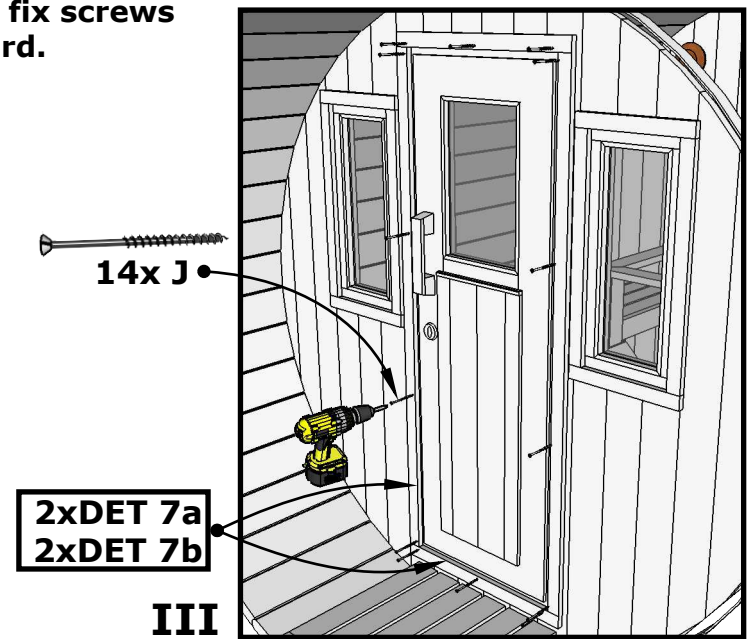
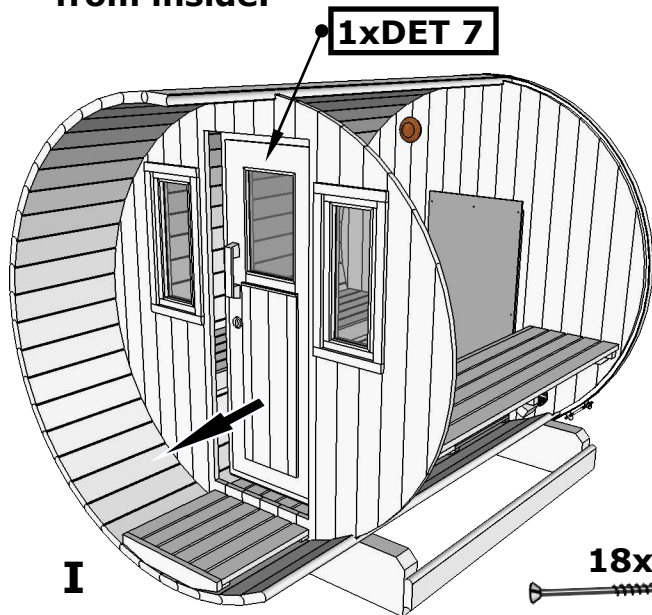
IV

Sauna 250, Ø 200

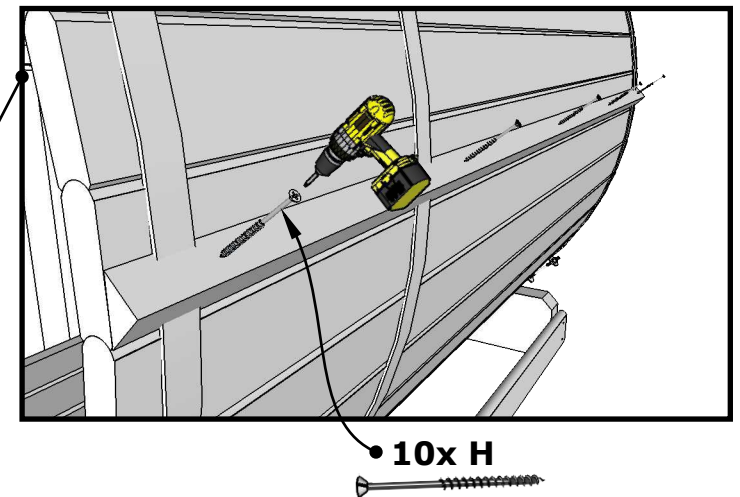
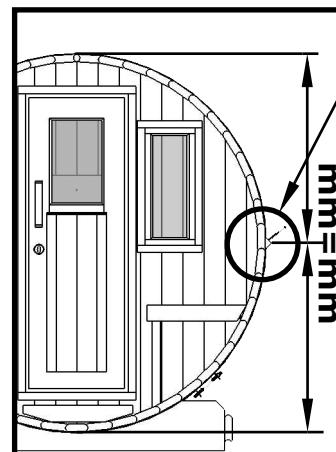
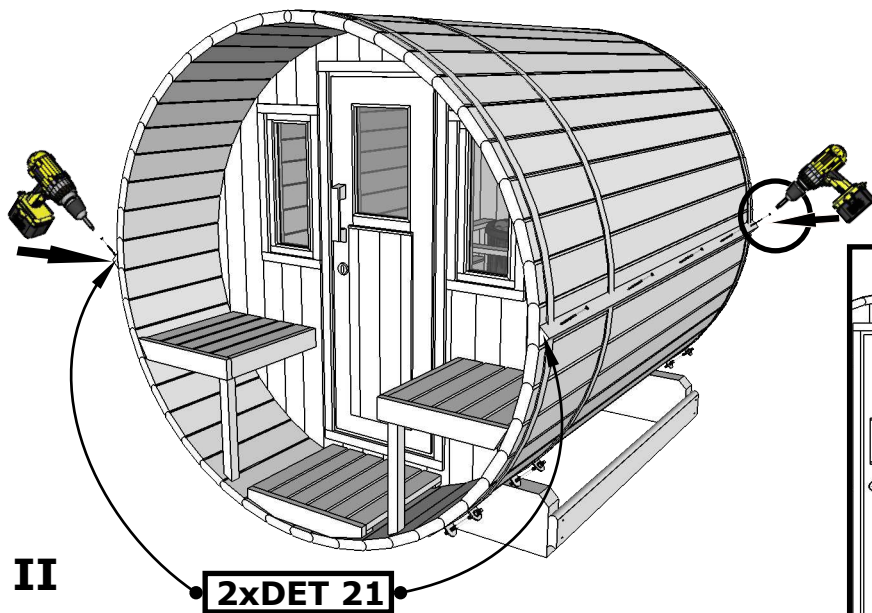
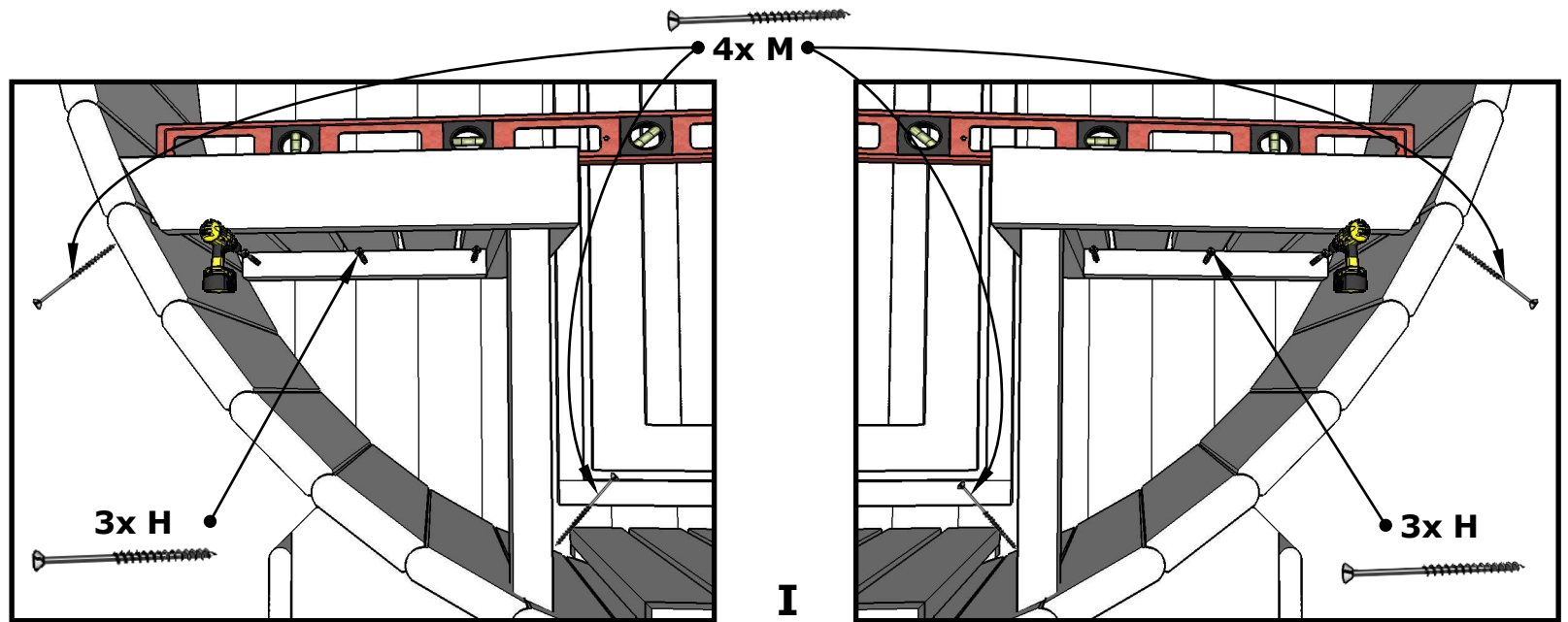


Use waterlevel for door installation.

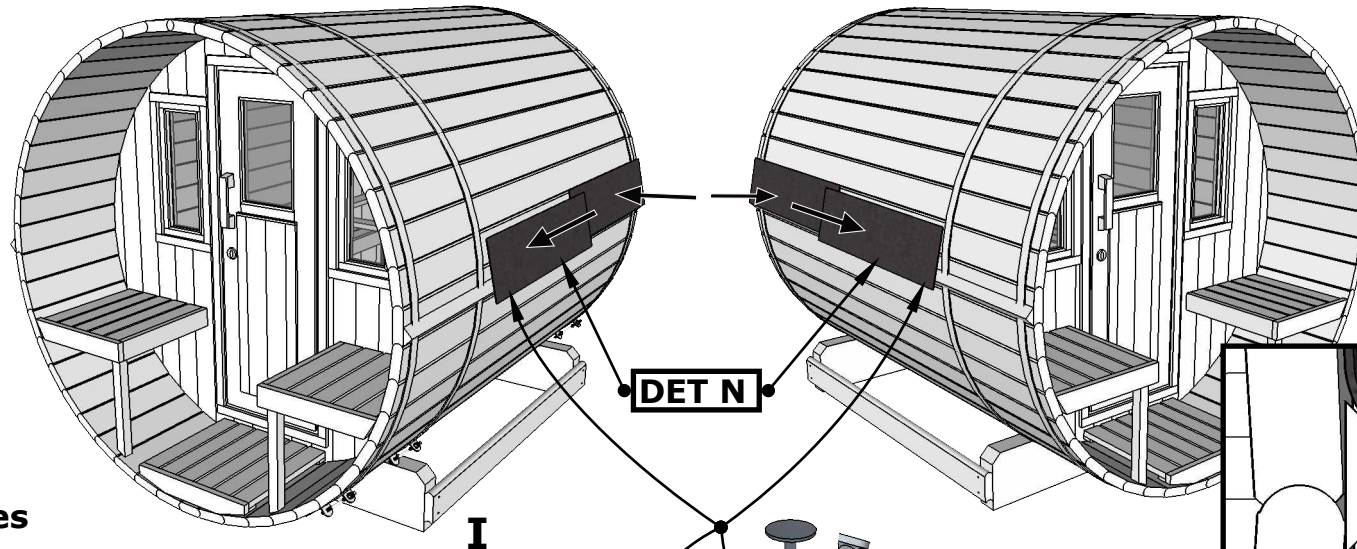
NB! Place door from inside.



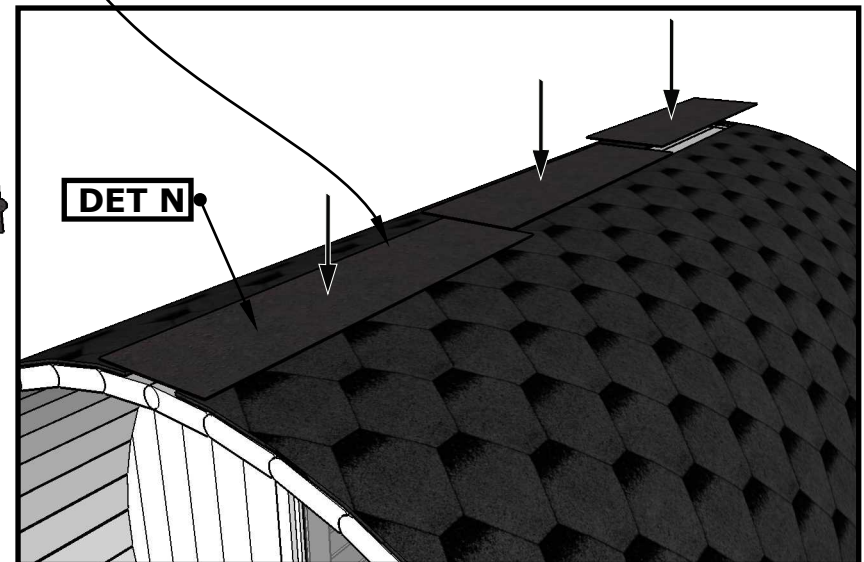
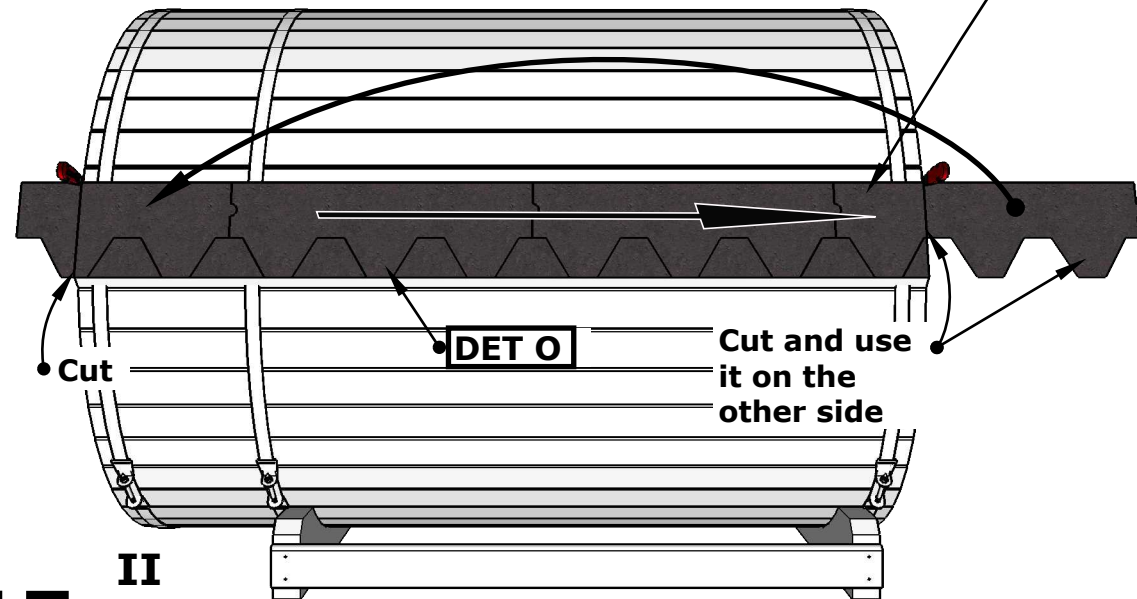
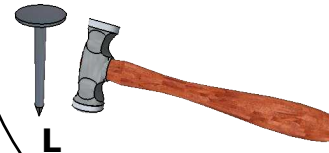
Sauna 250, Ø 200



Sauna 250, Ø 200



NB! Check also shingles installation manual inside shingles package.



Sauna 250, Ø 200

